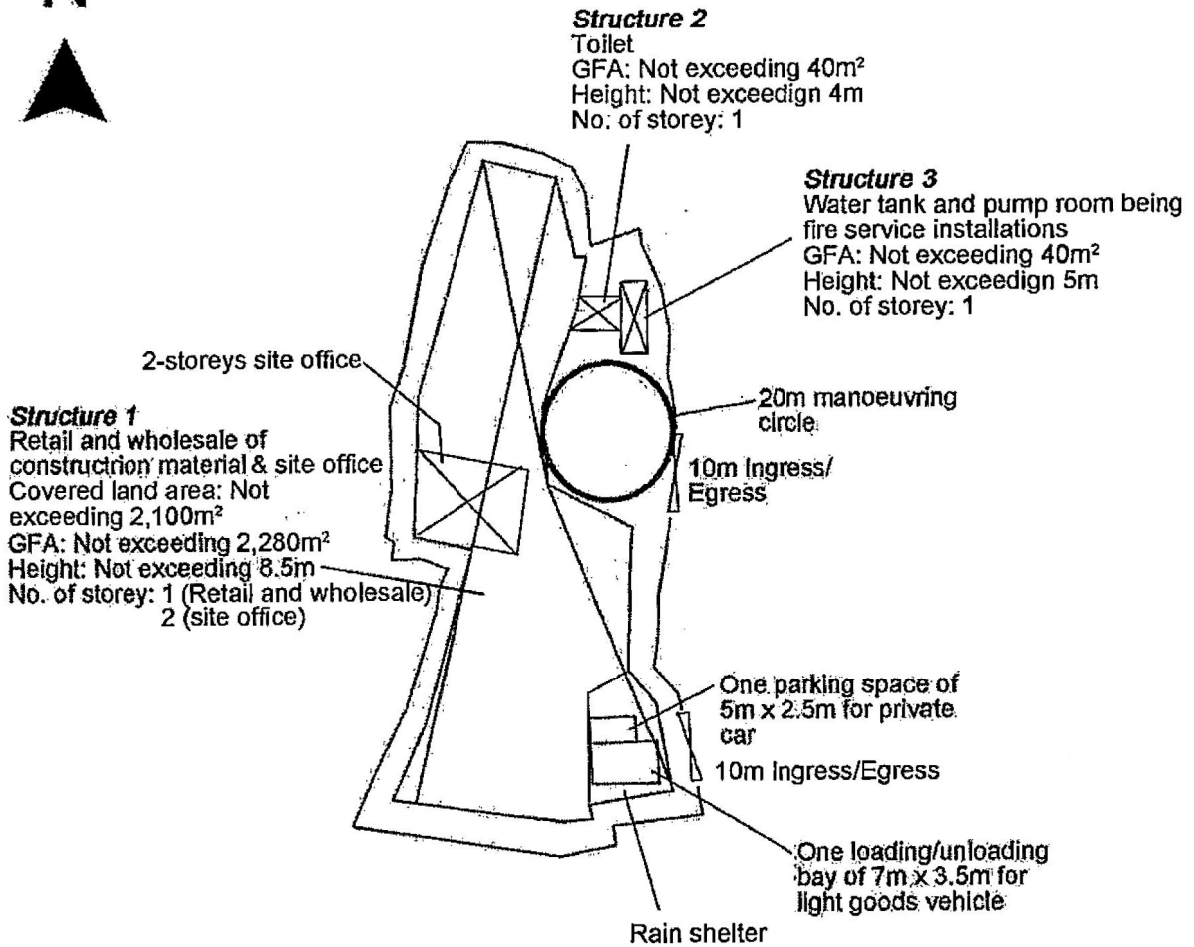


| | | |
|---|--|--|
| <p>Project 項目名稱: Proposed Temporary Shop and Wholesale of Construction Material for a Period of 3 Years at Lots 256 (Part), 258 RP (Part) & 259 in D.D. 122, Ping Shan, Yuen Long, N.T.</p> | <p>Drawing Title 圖目: Vehicular Access Plan</p> | <p>Remarks 備註: ●●● Vehicular access leading from Tsui Sing Road</p> |
| | <p>Drawing No. 圖號: Figure 2</p> | <p>Scale 比例: 1:7600</p> |

(摘錄自申請人於 18.11.2020 提交的申請書)
 (Extract from Applicant's Submission of 18.11.2020)

| | |
|---|-----------------------------------|
| <p>參考編號 REFERENCE No. AYL-PS/624</p> | <p>繪圖 DRAWING A-1</p> |
|---|-----------------------------------|

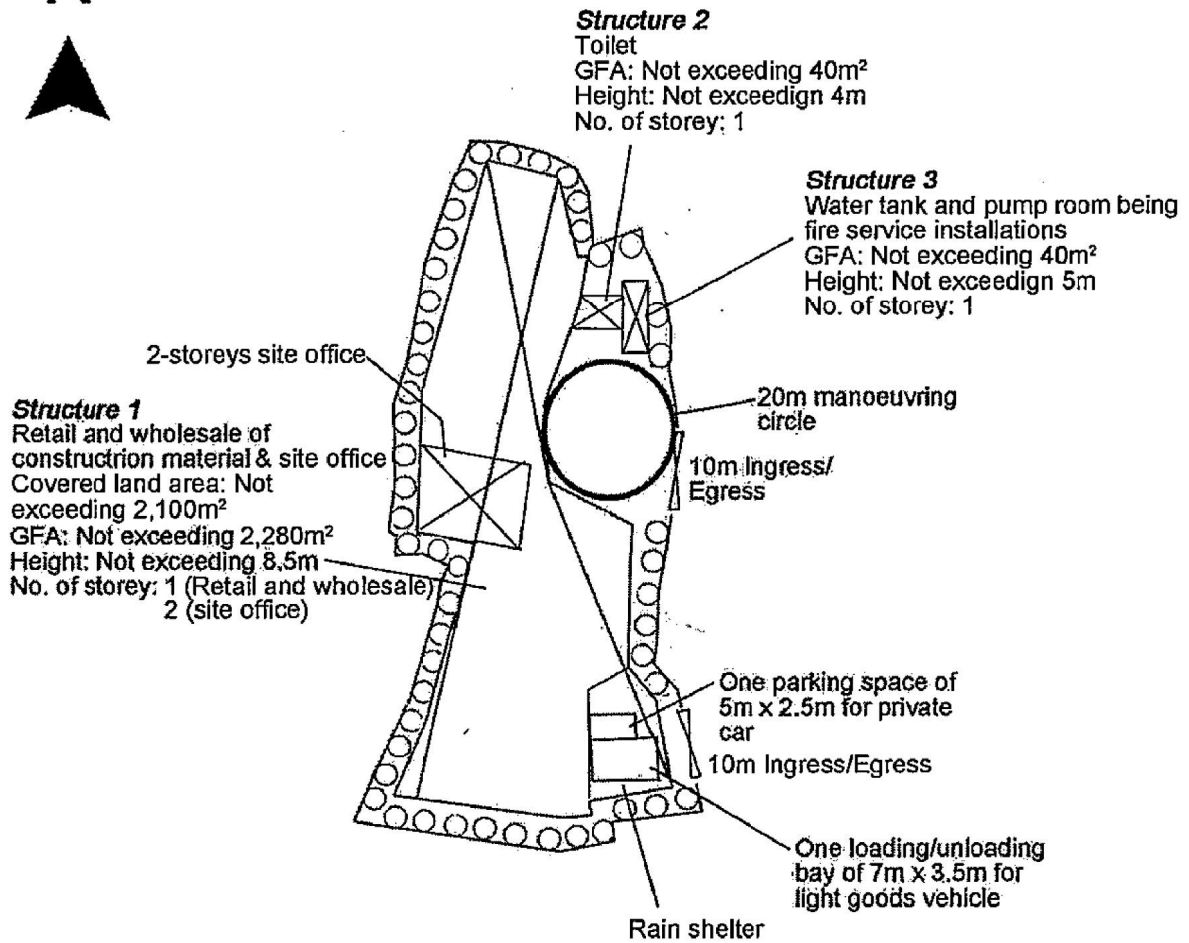


| | | |
|---|---|-----------------------------|
| <p>Project 項目名稱: Proposed Temporary Shop and Wholesale of Construction Material for a Period of 3 Years at Lots 256 (Part), 258 RP (Part) & 259 in D.D. 122, Ping Shan, Yuen Long, N.T.</p> | <p>Drawing Title 圖目: Proposed Layout Plan</p> | <p>Remarks 備註:</p> |
| | <p>Drawing No. 圖號: Figure 3</p> | <p>Scale 比例: 1:1000</p> |

(摘錄自申請人於 18.11.2020 呈交的申請書)
(Extract from Applicant's Submission of 18.11.2020)

| | |
|--|---------------------------|
| <p>參考編號 REFERENCE No. AYL-PS/624</p> | <p>繪圖 DRAWING A-2</p> |
|--|---------------------------|

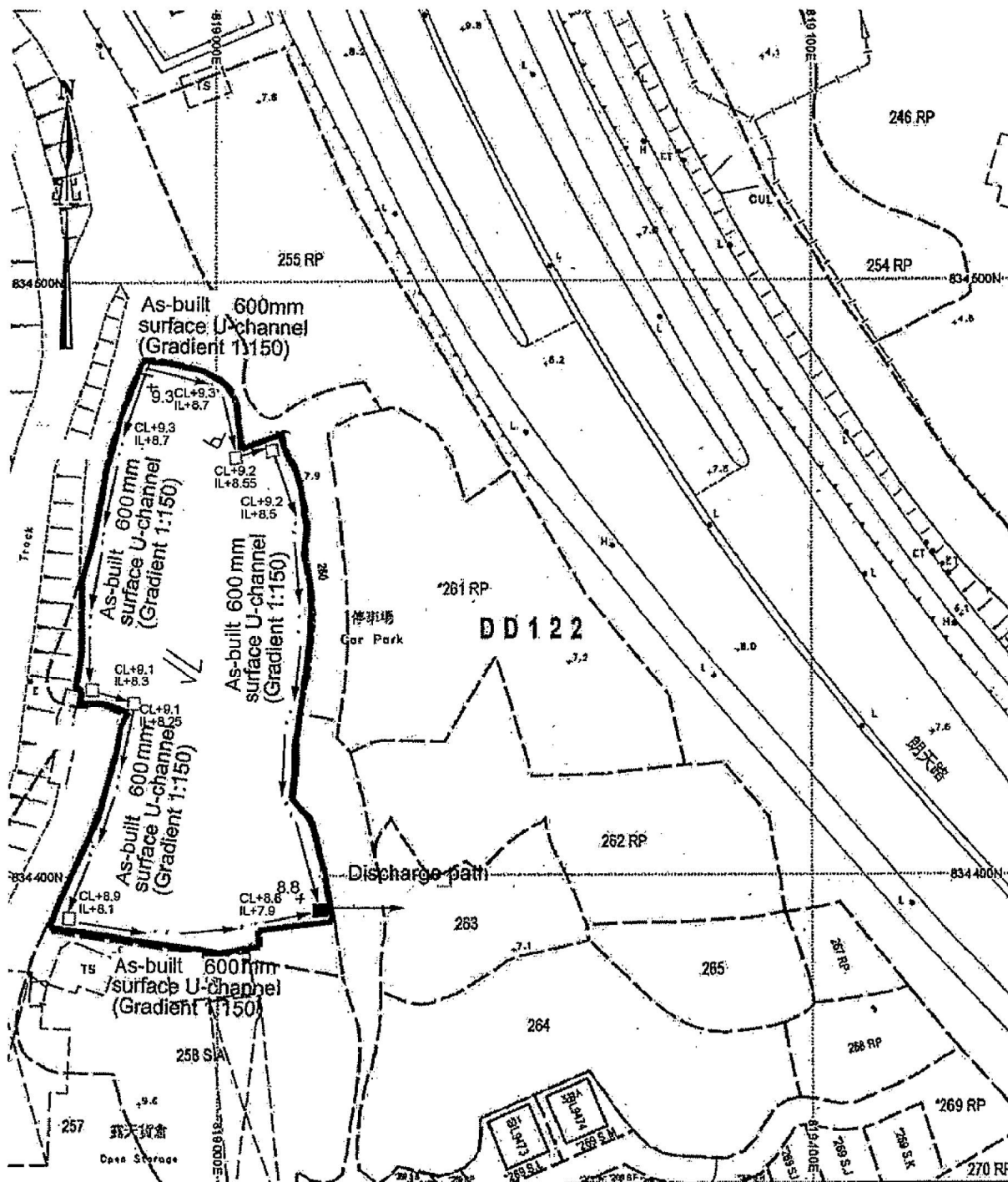
| Tree | Approximate Height | Spacing |
|---|--------------------|---------|
| ○ Existing <i>Bauhinia blakeana</i> to be preserved | 2.75m | 4m |



| | | |
|---|--|---------------------|
| Project 項目名稱: Proposed Temporary Shop and Wholesale of Construction Material for a Period of 3 Years at Lots 256 (Part), 258 RP (Part) & 259 in D.D. 122, Ping Shan, Yuen Long, N.T. | Drawing Title 圖目: Proposed Landscape & Tree Preservation Plan | Remarks 備註: |
| | Drawing No. 圖號: Figure 4 | Scale 比例: 1:1000 |

(摘錄自申請人於 18.11.2020 呈交的申請書)
(Extract from Applicant's Submission of 18.11.2020)

| | |
|-------------------------------------|-------------------|
| 參考編號 REFERENCE No. AYL-PS/624 | 繪圖 DRAWING A-3 |
|-------------------------------------|-------------------|

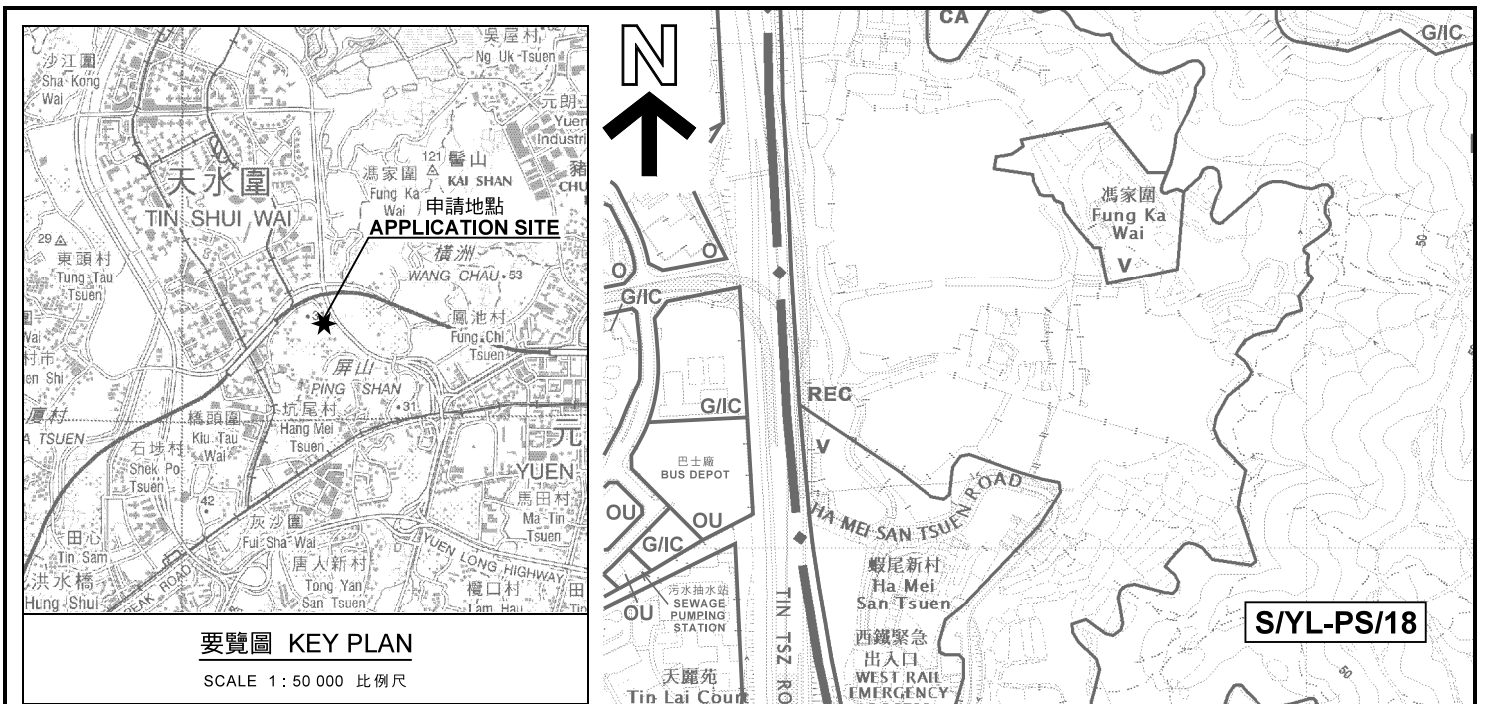


◁ Photo viewpoint

| | | |
|---|---|---|
| <p>Project 項目名稱: Proposed Temporary Shop and Wholesale of Construction Material for a Period of 3 Years at Lots 256 (Part), 258 RP (Part) & 259 in D.D. 122, Ping Shan, Yuen Long, N.T.</p> | <p>Drawing Title 圖目: As-built Drainage Plan</p> <p>Drawing No. 圖號: Figure 5</p> | <p>Remarks 備註: +9.3 Level (in mPD) ⇐ Flow of surface runoff □ Existing catchpit ■ Existing catchpit with sand trap Scale 比例: 1:1000</p> |
|---|---|---|

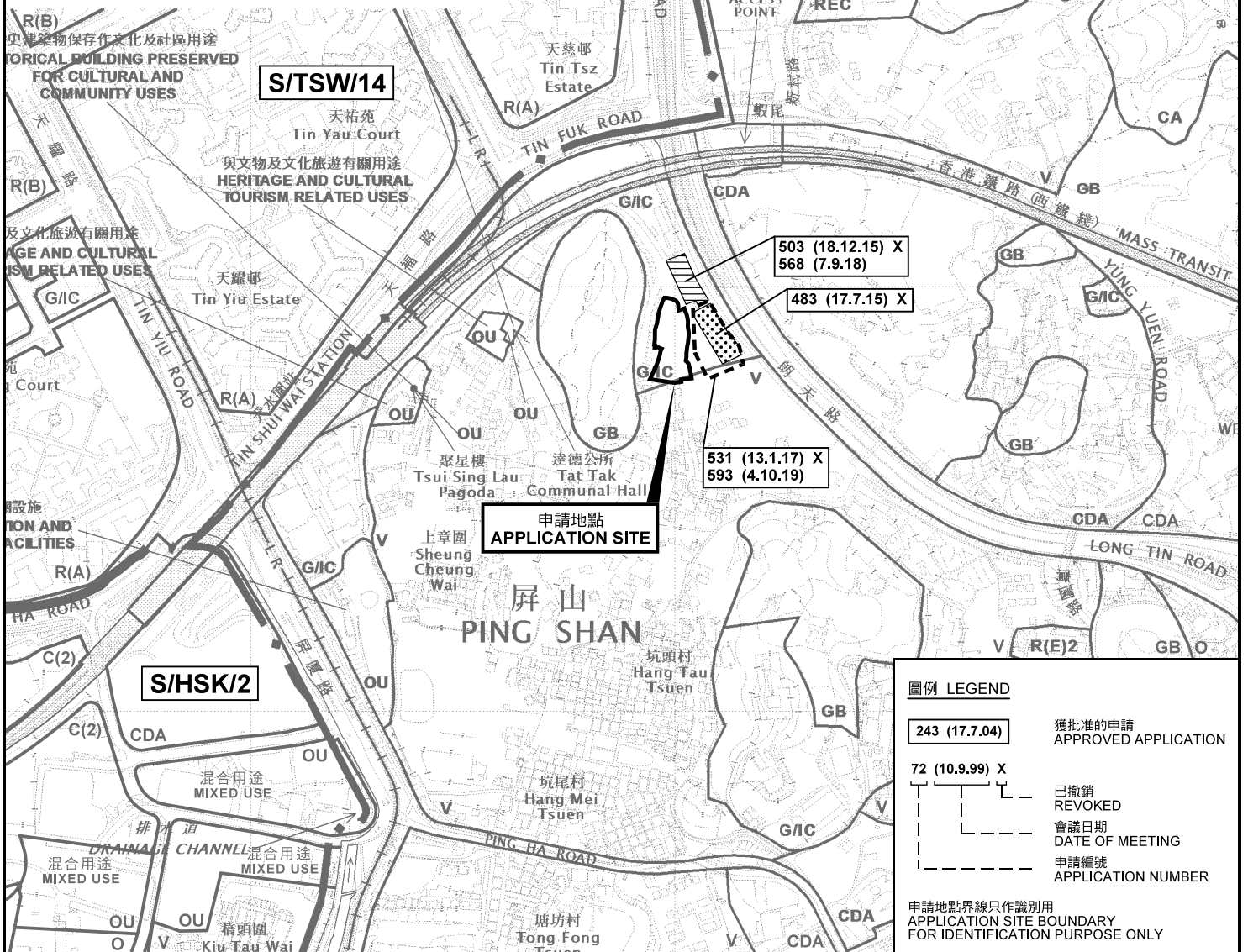
(摘錄自申請人於 18.11.2020 提交的申請書)
 (Extract from Applicant's Submission of 18.11.2020)

| | |
|--|-----------------------------------|
| <p>參考編號 REFERENCE No. A/YL-PS/624</p> | <p>繪圖 DRAWING A-4</p> |
|--|-----------------------------------|



要覽圖 KEY PLAN

SCALE 1 : 50 000 比例尺



圖例 LEGEND

- 243 (17.7.04) 獲批准的申請
APPROVED APPLICATION
- 72 (10.9.99) X 已撤銷
REVOKED
- 會議日期
DATE OF MEETING
- 申請編號
APPLICATION NUMBER

申請地點界線只作識別用
APPLICATION SITE BOUNDARY
FOR IDENTIFICATION PURPOSE ONLY

本摘要圖於2020年12月18日擬備，
所根據的資料為於2018年10月16日
核准的分區計劃大綱圖編號 S/YL-PS/18
EXTRACT PLAN PREPARED ON 18.12.2020
BASED ON OUTLINE ZONING PLAN No.
S/YL-PS/18 APPROVED ON 16.10.2018


位置圖及同類申請 LOCATION PLAN WITH SIMILAR APPLICATIONS

臨時建築材料商店及批發(為期3年)
新界元朗屏山丈量約份第122約
地段第256號(部分)、第258號餘段(部分)及第259號
TEMPORARY SHOP AND WHOLESALE OF
CONSTRUCTION MATERIALS FOR A PERIOD OF 3 YEARS
LOTS 256 (PART), 258 RP (PART) AND 259 IN D.D.122,
PING SHAN, YUEN LONG, NEW TERRITORIES

SCALE 1 : 7 500 比例尺

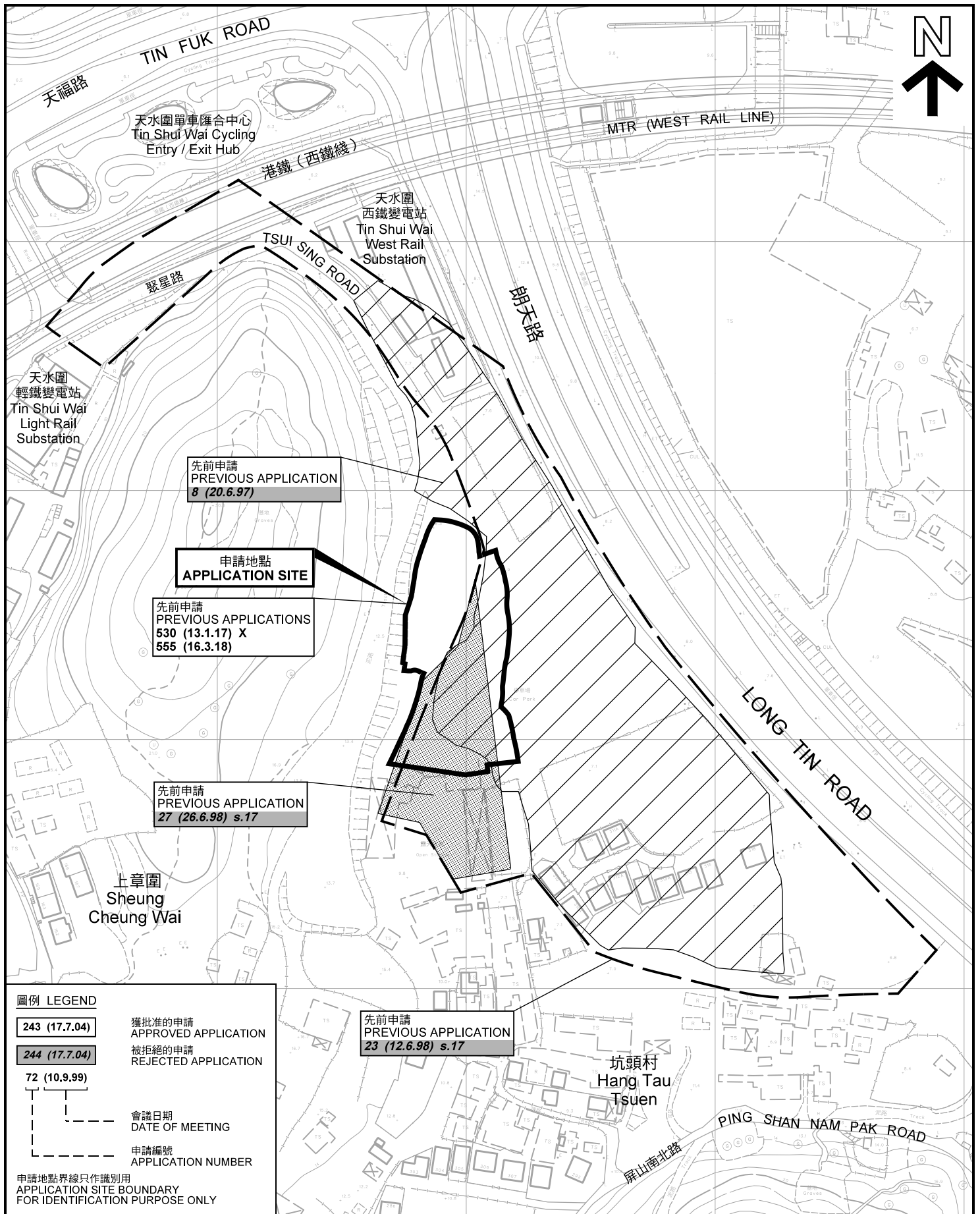
米 100 0 100 200 300 米
METRES

規劃署
PLANNING
DEPARTMENT



參考編號
REFERENCE No.
A/YL-PS/624

圖 PLAN
A-1a



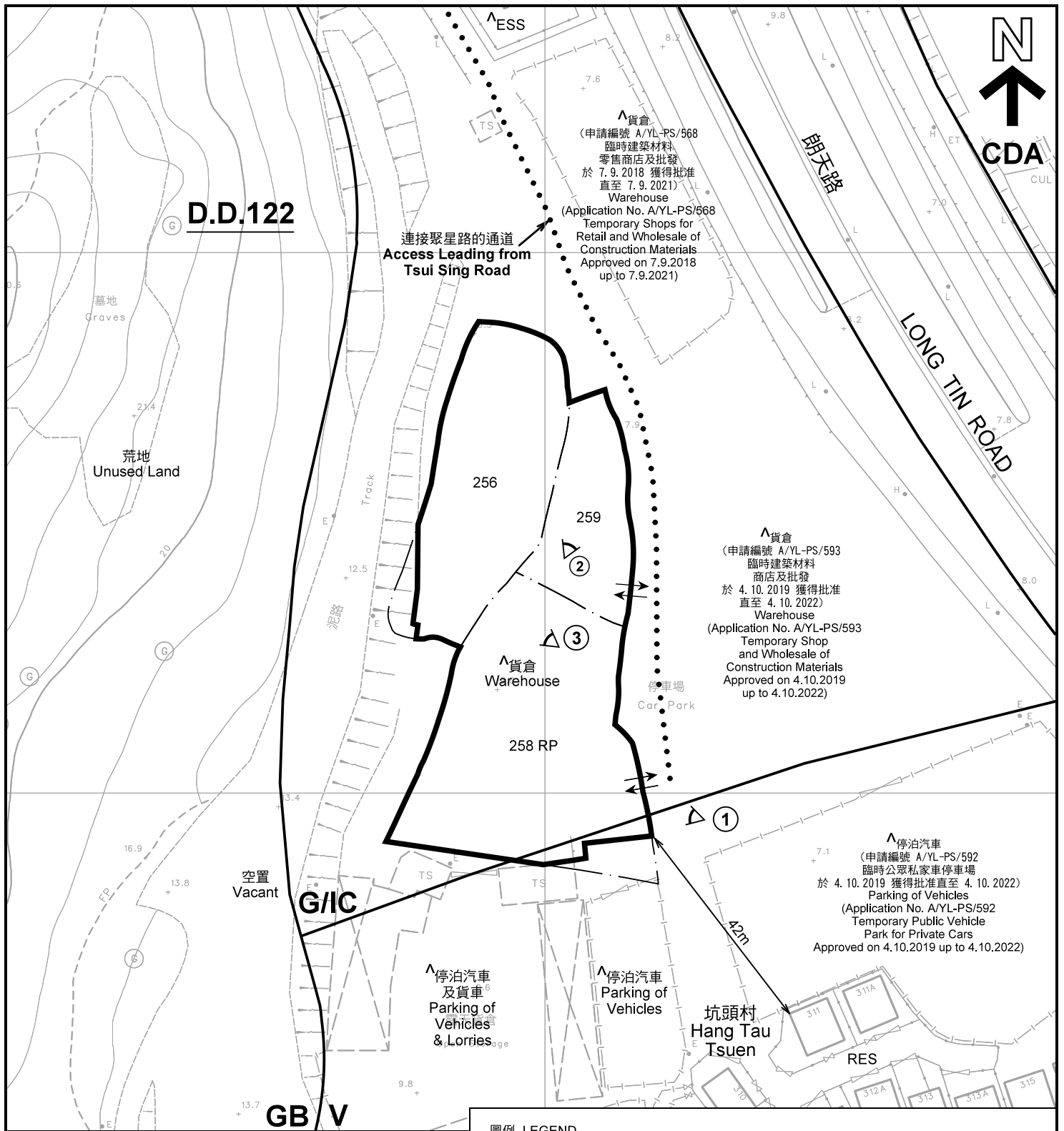
本摘要圖於2020年12月18日擬備，所根據的資料為測量圖編號 6-NW-8B
EXTRACT PLAN PREPARED ON 18.12.2020
BASED ON SURVEY SHEET No. 6-NW-8B

規劃署
PLANNING
DEPARTMENT



參考編號
REFERENCE No.
A/YL-PS/624

圖 PLAN
A-1b



註釋 Notes :

- (1) 2020年11月24日勘測的土地用途
Land uses shown on this plan are in accordance with the land use survey conducted by the Planning Department on 24.11.2020
- (2) * 土地用途跟1993年7月勘測的土地用途一致
Indicates that the use is the same as that revealed by the land use survey conducted by the Planning Department in Jul 1993
- (3) ^ 土地用途跟1993年7月勘測的土地用途有別
Indicates that the use is different from that revealed by the land use survey conducted by the Planning Department in Jul 1993

圖例 LEGEND

- | | | | |
|--------------|--|------------|---|
| | 申請地點(界線只作識別用) APPLICATION SITE (BOUNDARY FOR IDENTIFICATION PURPOSE ONLY) | GB | 綠化地帶 GREEN BELT |
| CDA | 綜合發展區 COMPREHENSIVE DEVELOPMENT AREA | RES | 住用構築物 RESIDENTIAL STRUCTURES |
| V | 鄉村式發展 VILLAGE TYPE DEVELOPMENT | ESS | 電力支站 ELECTRICITY SUBSTATION |
| G/I C | 政府、機構或社區 GOVERNMENT, INSTITUTION OR COMMUNITY | ① | 實地照片的觀景點 VIEWING POINT OF SITE PHOTO |
| | | | 入口/出口 INGRESS / EGRESS |

平面圖 SITE PLAN

臨時建築材料商店及批發(為期3年)
新界元朗屏山丈量約份第122約
地段第256號(部分)、第258號餘段(部分)及第259號
TEMPORARY SHOP AND WHOLESALE OF
CONSTRUCTION MATERIALS FOR A PERIOD OF 3 YEARS
LOTS 256 (PART), 258 RP (PART) AND 259 IN D.D.122,
PING SHAN, YUEN LONG, NEW TERRITORIES

SCALE 1 : 1 000 比例尺

米 20 0 20 40 米
METRES

本摘要圖於2020年12月18日擬備, 所根據的
資料為測量圖編號 6-NW-8B
EXTRACT PLAN PREPARED ON 18.12.2020
BASED ON SURVEY SHEET No. 6-NW-8B

規劃署
PLANNING
DEPARTMENT



參考編號
REFERENCE No.
A/YL-PS/624

圖 PLAN
A-2



連接聚星路的通道
Access Leading from
Tsui Sing Road

圖例 LEGEND



申請地點(界線只作識別用)
APPLICATION SITE
(BOUNDARY FOR IDENTIFICATION
PURPOSE ONLY)

本摘要圖於2020年12月18日擬備，所根據的資料為地政總署於2019年10月18日拍得的航攝照片編號 E072945C
EXTRACT PLAN PREPARED ON 18.12.2020
BASED ON AERIAL PHOTO No.
E072945C TAKEN ON 18.10.2019
BY LANDS DEPARTMENT

航攝照片 AERIAL PHOTO

臨時建築材料商店及批發(為期3年)
新界元朗屏山丈量約份第122約
地段第256號(部分)、第258號餘段(部分)及第259號
TEMPORARY SHOP AND WHOLESALE OF
CONSTRUCTION MATERIALS FOR A PERIOD OF 3 YEARS
LOTS 256 (PART), 258 RP (PART) AND 259 IN D.D.122,
PING SHAN, YUEN LONG, NEW TERRITORIES

規劃署
PLANNING
DEPARTMENT



參考編號
REFERENCE No.
A/YL-PS/624

圖 PLAN
A-3

1

申請地點
APPLICATION SITE



連接聚星路的通道
Access Leading from
Tsui Sing Road

2

申請地點
APPLICATION SITE



3

申請地點
APPLICATION SITE



本圖於2020年12月18日擬備，所根據的資料為攝於2020年11月24日的實地照片
PLAN PREPARED ON 18.12.2020
BASED ON SITE PHOTOS TAKEN ON 24.11.2020

實地照片 SITE PHOTOS
臨時建築材料商店及批發(為期3年)
新界元朗屏山丈量約份第122約
地段第256號(部分)、第258號餘段(部分)及第259號
TEMPORARY SHOP AND WHOLESALE OF
CONSTRUCTION MATERIALS FOR A PERIOD OF 3 YEARS
LOTS 256 (PART), 258 RP (PART) AND 259 IN D.D. 122,
PING SHAN, YUEN LONG, NEW TERRITORIES

規劃署
PLANNING
DEPARTMENT



參考編號
REFERENCE No.
A/YL-PS/624

圖 PLAN
A-4