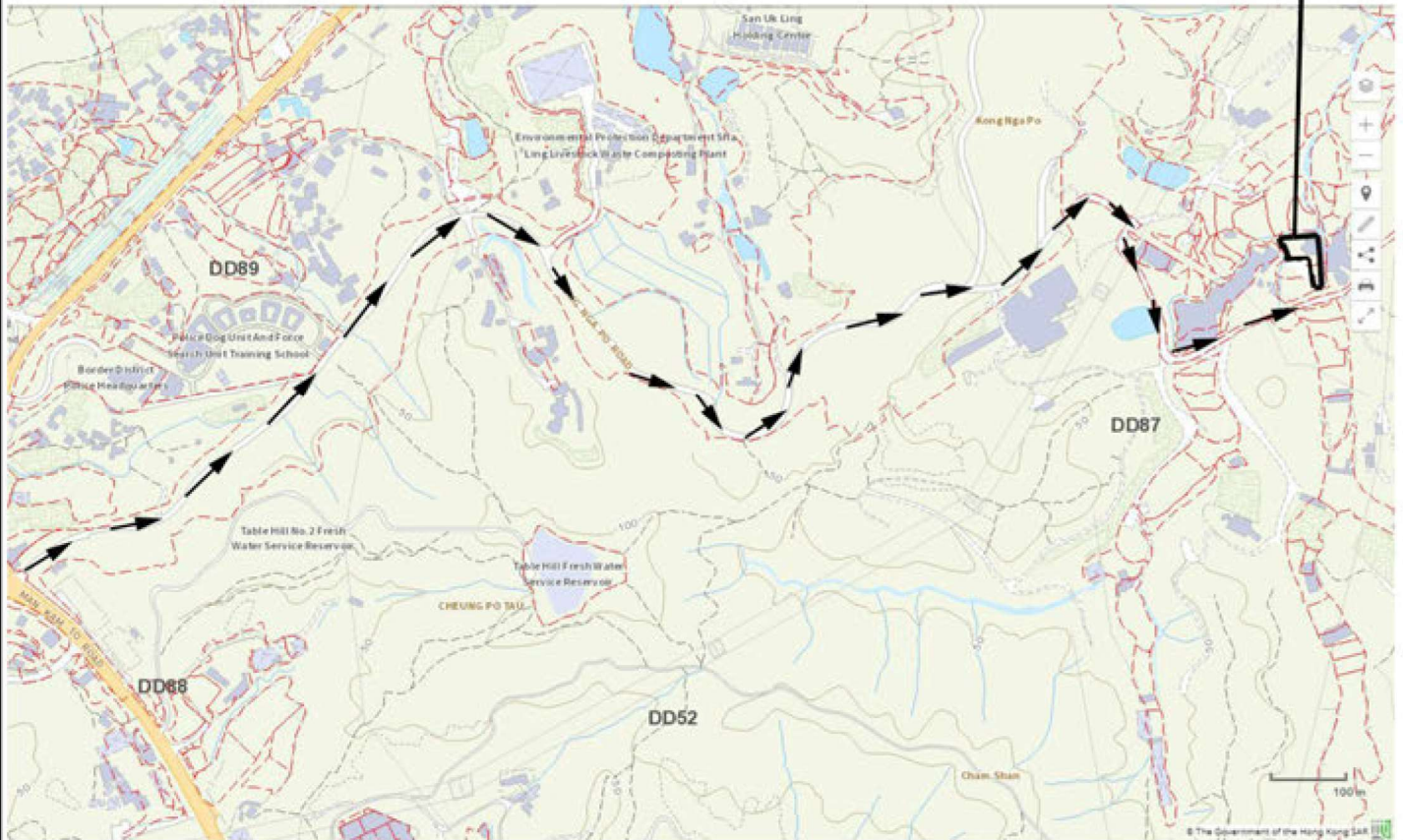



<p>Project 項目名稱:  <b>Proposed Temporary Open Storage of Construction Materials for a Period of 3 Years and Filling of Land at Lots 360 A S.A (Part), 360 A RP (Part), 360 B S.A (Part), 360 B RP (Part), 360 C S.A (Part), 360 D S.A (Part) &amp; 360 D RP (Part) in D.D.87, Ta Kwu Ling, N.T.</b></p>	<p>Drawing Title 圖目:  <b>Application Site</b></p>	<p>Remarks 備註:</p>
	<p>Drawing No. 圖號:  <b>Figure 1</b></p>	<p>Scale 比例:  <b>1:1000</b></p>

N

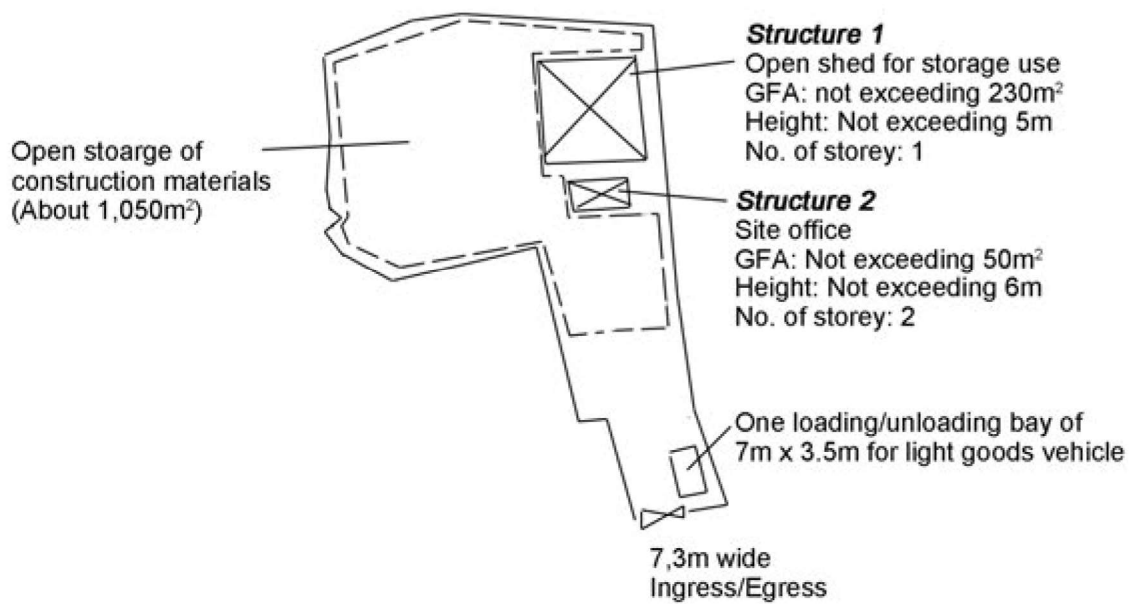


Application Site

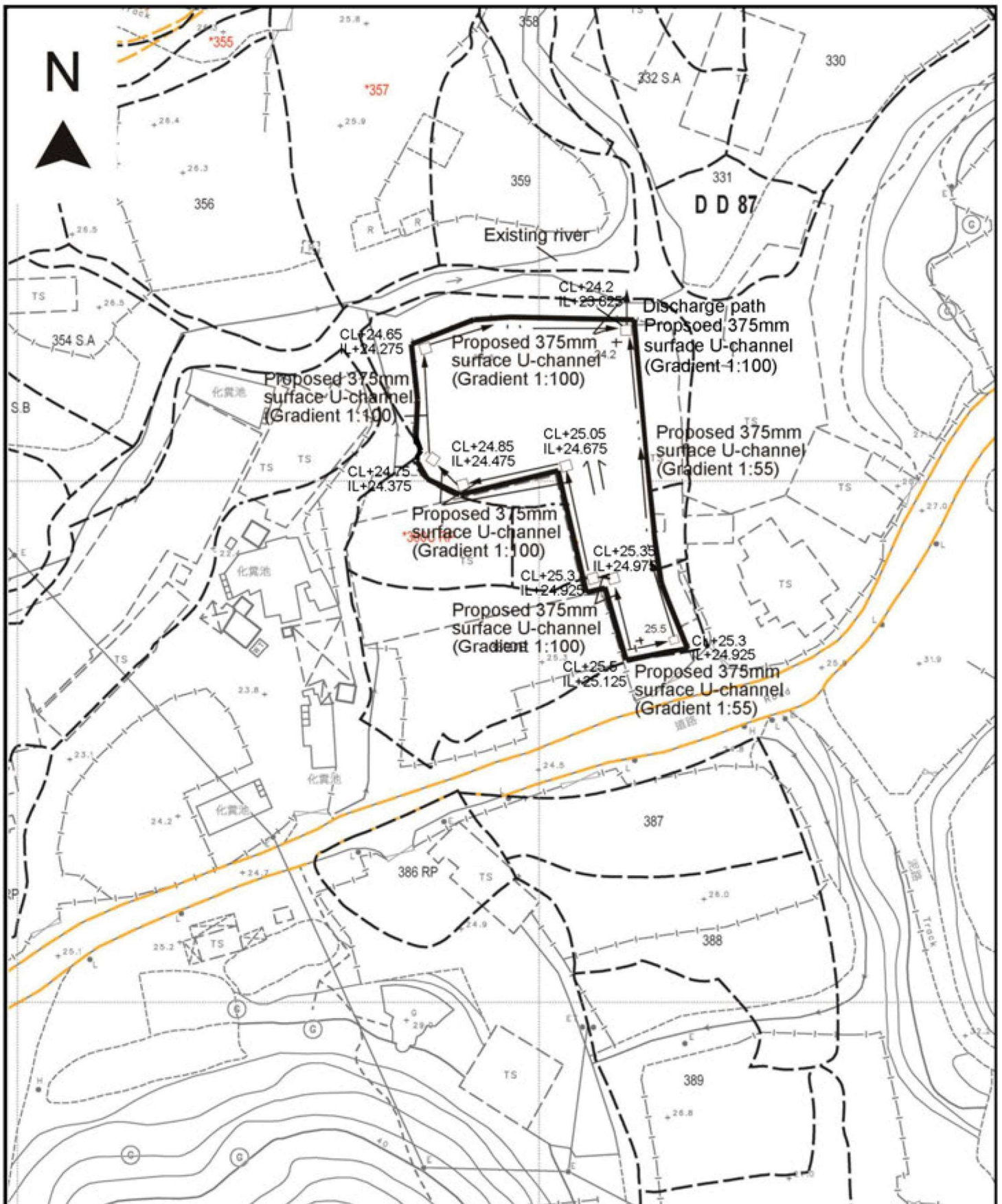


<p>Project 項目名稱:  <b>Proposed Temporary Open Storage of Construction Materials for a Period of 3 Years and Filling of Land at Lots 360 A S.A (Part), 360 A RP (Part), 360 B S.A (Part), 360 B RP (Part), 360 C S.A (Part), 360 D S.A (Part) &amp; 360 D RP (Part) in D.D.87, Ta Kwu Ling, N.T.</b></p>	<p>Drawing Title 圖目:  <b>Proposed Vehicular Access Plan</b></p>	<p>Remarks 備註:   Vehicular access leading to the application site from Man Kam To Road</p>
	<p>Drawing No. 圖號:  <b>Figure 2</b></p>	<p>Scale 比例:  <b>As shown</b></p>



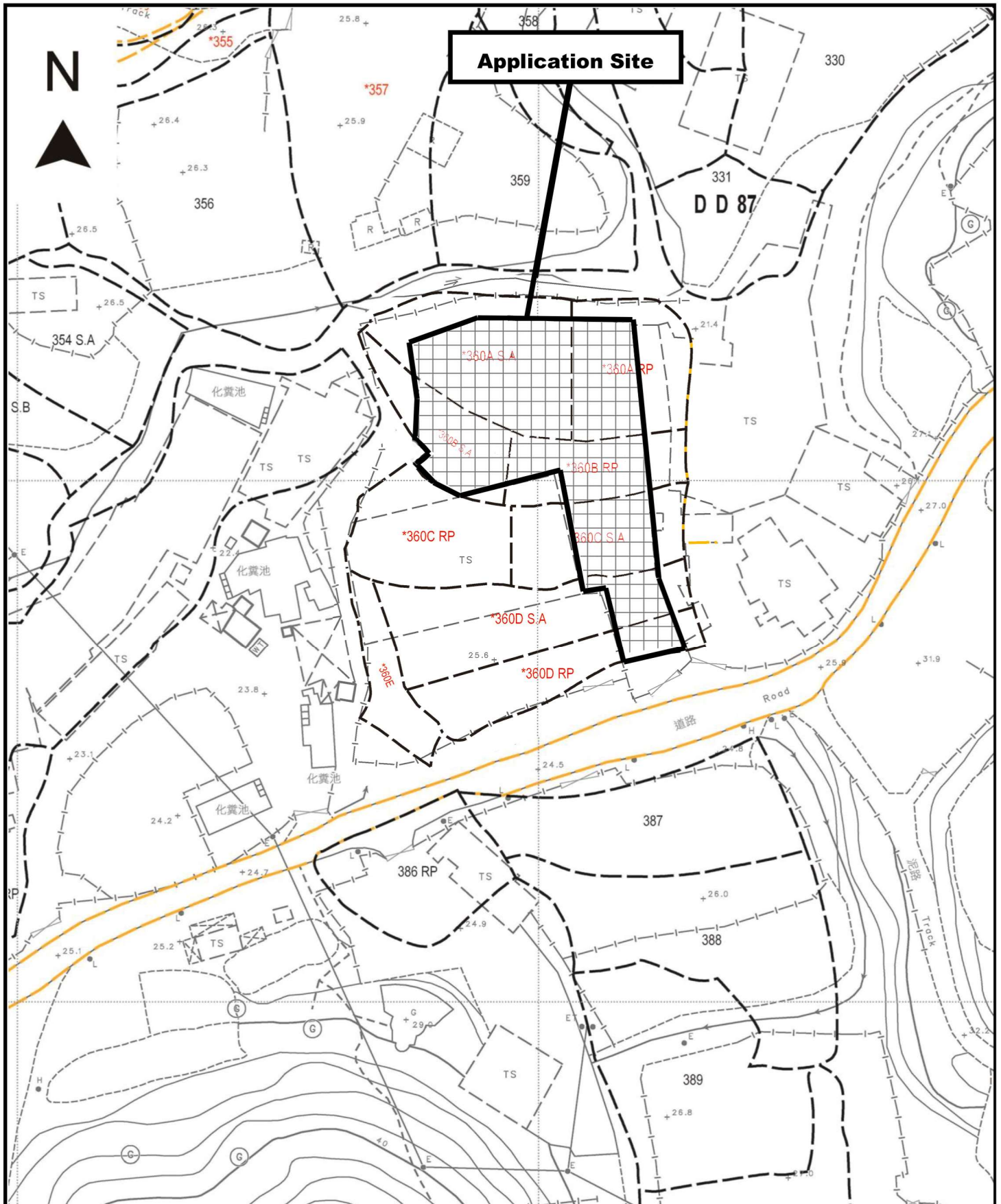


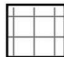
<p>Project 項目名稱: Proposed Temporary Open Storage of Construction Materials for a Period of 3 Years and Filling of Land at Lots 360 A S.A (Part), 360 A RP (Part), 360 B S.A (Part), 360 B RP (Part), 360 C S.A (Part), 360 D S.A (Part) &amp; 360 D RP (Part) in D.D.87, Ta Kwu Ling, N.T.</p>	<p>Drawing Title 圖目: Proposed Layout Plan</p> <p>Drawing No. 圖號: Figure 3</p>	<p>Remarks 備註:</p> <p>Scale 比例: 1:1000</p>
--	---	--

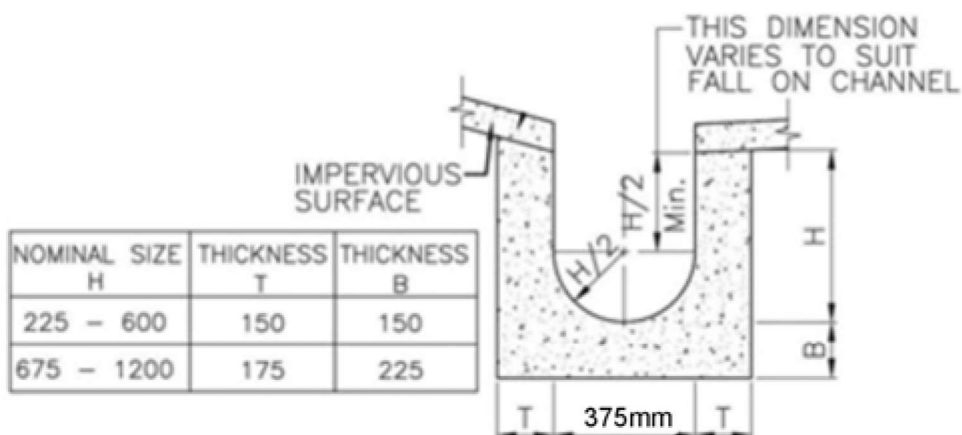


<p>Project 項目名稱:  <b>Proposed Temporary Open Storage of Construction Materials for a Period of 3 Years and Filling of Land at Lots 360 A S.A (Part), 360 A RP (Part), 360 B S.A (Part), 360 B RP (Part), 360 C S.A (Part), 360 D S.A (Part) &amp; 360 D RP (Part) in D.D.87, Ta Kwu Ling, N.T.</b></p>	<p>Drawing Title 圖目:  <b>Proposed Drainage Plan</b></p> <p>Drawing No. 圖號:  <b>Figure 4</b></p>	<p>Remarks 備註:          +25.5 Level (in mPD)  <input type="checkbox"/> Proposed catchpit   Flow of surface runoff</p> <p>Scale 比例:  <b>1:1000</b></p>
--	---	---





<p>Project 項目名稱:  <b>Proposed Temporary Open Storage of Construction Materials for a Period of 3 Years and Filling of Land at Lots 360 A S.A (Part), 360 A RP (Part), 360 B S.A (Part), 360 B RP (Part), 360 C S.A (Part), 360 D S.A (Part) &amp; 360 D RP (Part) in D.D.87, Ta Kwu Ling, N.T.</b></p>	<p>Drawing Title 圖目:  <b>Proposed Land Filling Plan</b></p>	<p>Remarks 備註:   Proposed filling of 200mm thick concrete</p>
	<p>Drawing No. 圖號:  <b>Figure 5</b></p>	<p>Scale 比例:  <b>1:1000</b></p>



**DETAILS OF U-CHANNEL**  
 (REFERENCE : FIG. 8.11 OF  
 GEOTECHNICAL MANUAL FOR SLOPES)  
 (N.T.S.)

Project 項目名稱:

Proposed Temporary Open Storage of Construction Materials for a Period of 3 Years and Filling of Land at Lots 360 A S.A (Part), 360 A RP (Part), 360 B S.A (Part), 360 B RP (Part), 360 C S.A (Part), 360 D S.A (Part) & 360 D RP (Part) in D.D.87, Ta Kwu Ling, N.T.

Drawing Title 圖目:

Details of Proposed Surface U-channel

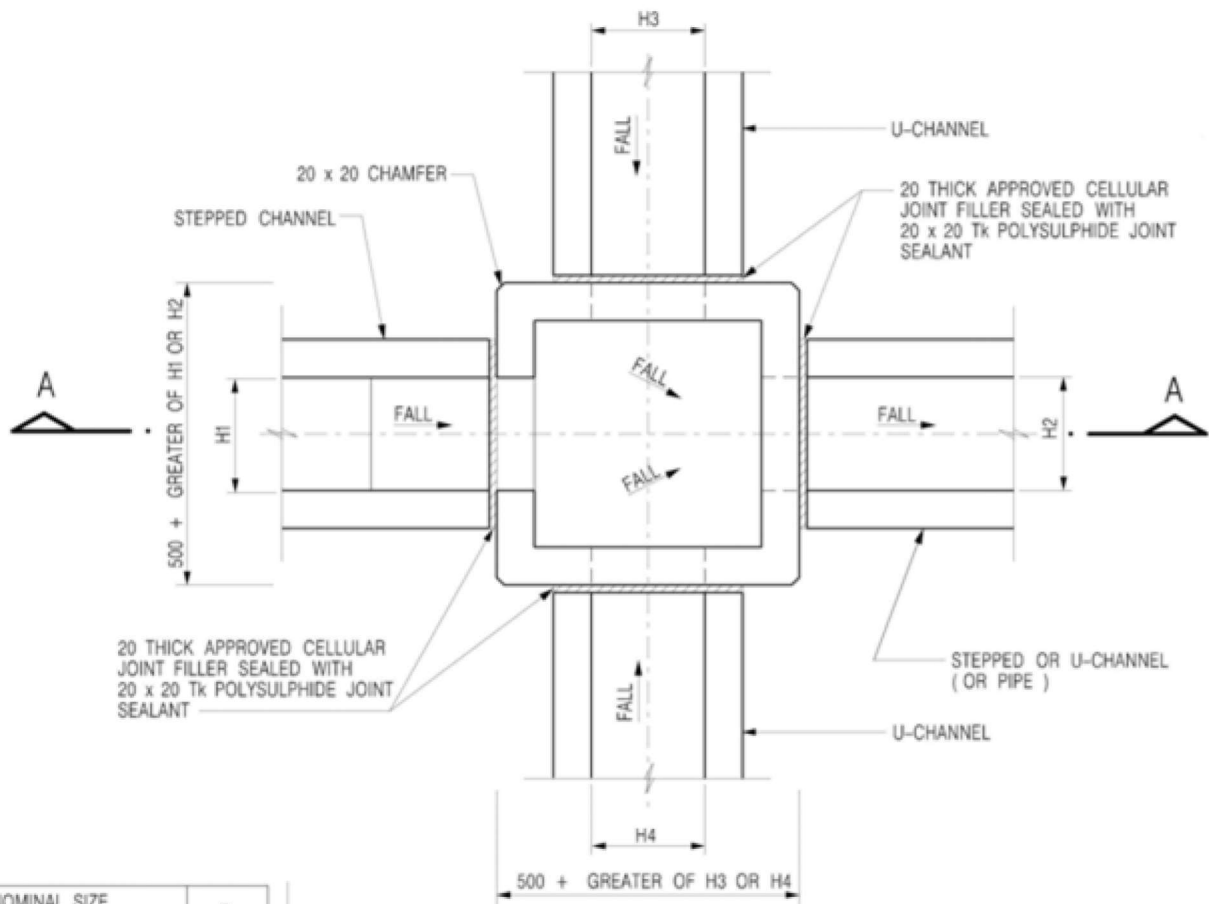
Drawing No. 圖號:

Figure 6

Remarks 備註:

Scale 比例:

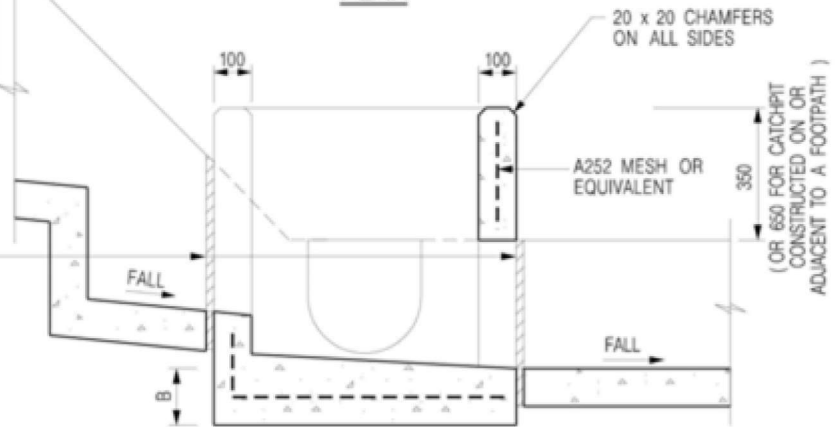
Not to scale



PLAN

NOMINAL SIZE (LARGEST OF H1, H2, H3 & H4)	B
300 - 600	150
675 - 900	175

20 THICK APPROVED CELLULAR JOINT FILLER SEALED WITH 20 x 20 Tk POLYSULPHIDE JOINT SEALANT

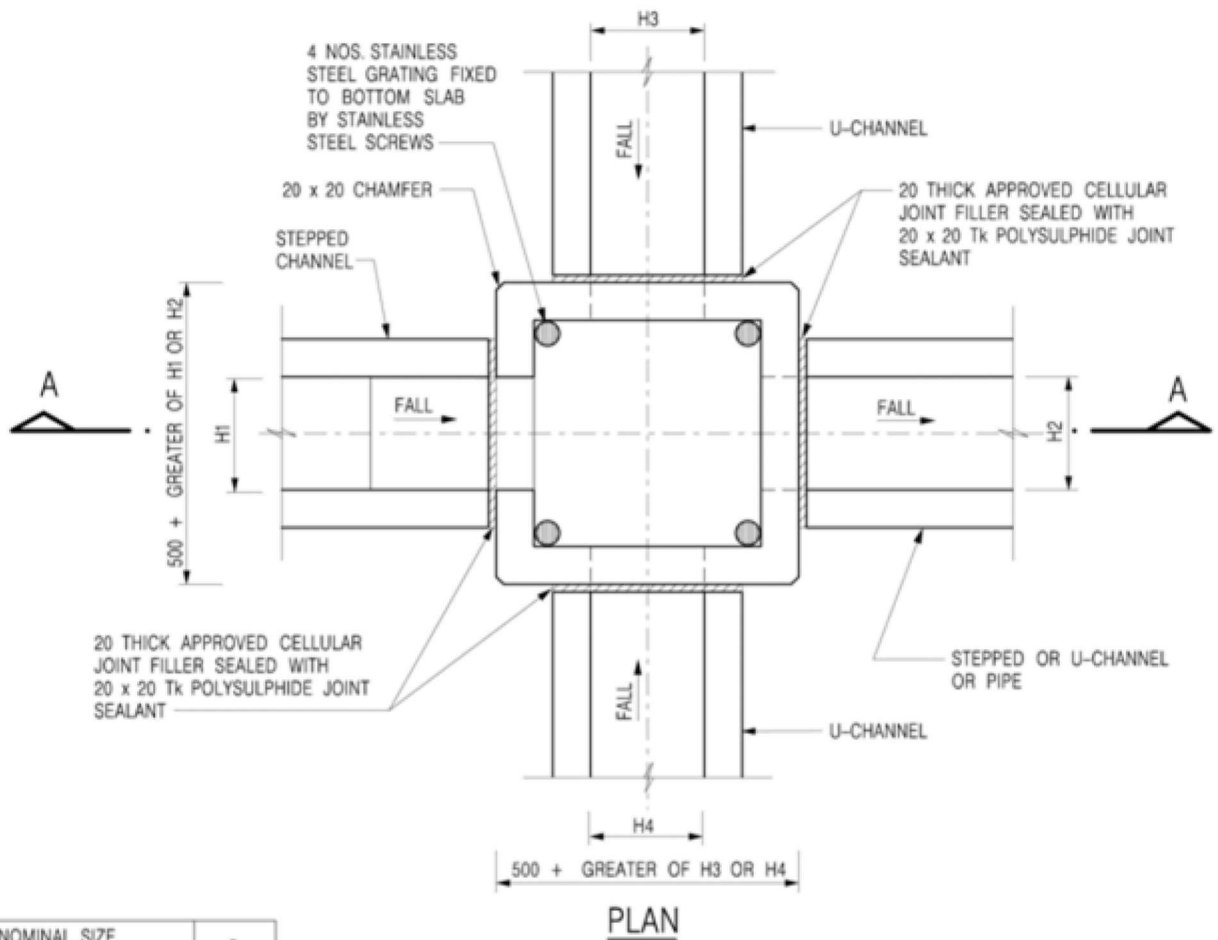


SECTION A - A

NOTES:

1. ALL DIMENSIONS ARE IN MILLIMETRES.
2. REFER TO SHEET 5 FOR OTHER NOTES.

Project 項目名稱: Proposed Temporary Open Storage of Construction Materials for a Period of 3 Years and Filling of Land at Lots 360 A S.A (Part), 360 A RP (Part), 360 B S.A (Part), 360 B RP (Part), 360 C S.A (Part), 360 D S.A (Part) & 360 D RP (Part) in D.D.87. Ta Kwu Ling, N.T.	Drawing Title 圖目: The Details of the Proposed Catchpit	Remarks 備註:
	Drawing No. 圖號: Figure 7	Scale 比例: Not to scale

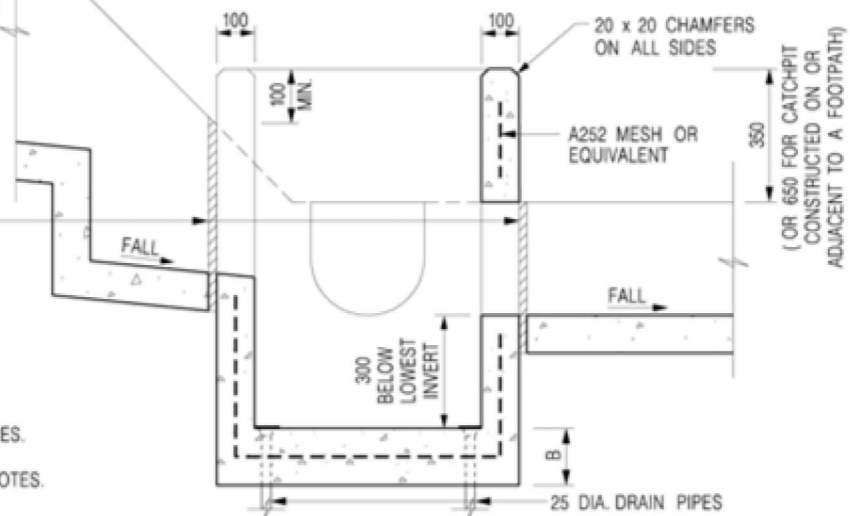


NOMINAL SIZE (LARGEST OF H1, H2, H3 & H4)	B
300 - 600	150
675 - 900	175

20 THICK APPROVED CELLULAR JOINT FILLER SEALED WITH 20 x 20 Tk POLYSULPHIDE JOINT SEALANT

**NOTES:**

1. ALL DIMENSIONS ARE IN MILLIMETRES.
2. REFER TO SHEET 2 FOR OTHER NOTES.



**SECTION A - A**

Project 項目名稱:

Proposed Temporary Open Storage of Construction Materials for a Period of 3 Years and Filling of Land at Lots 360 A S.A (Part), 360 A RP (Part), 360 B S.A (Part), 360 B RP (Part), 360 C S.A (Part), 360 D S.A (Part) & 360 D RP (Part) in D.D.87, Ta Kwu Ling, N.T.

Drawing Title 圖名:

The Details of Catchpit with Desilting Function

Drawing No. 圖號:

Figure 8

Remarks 備註:

Scale 比例:

Not to scale