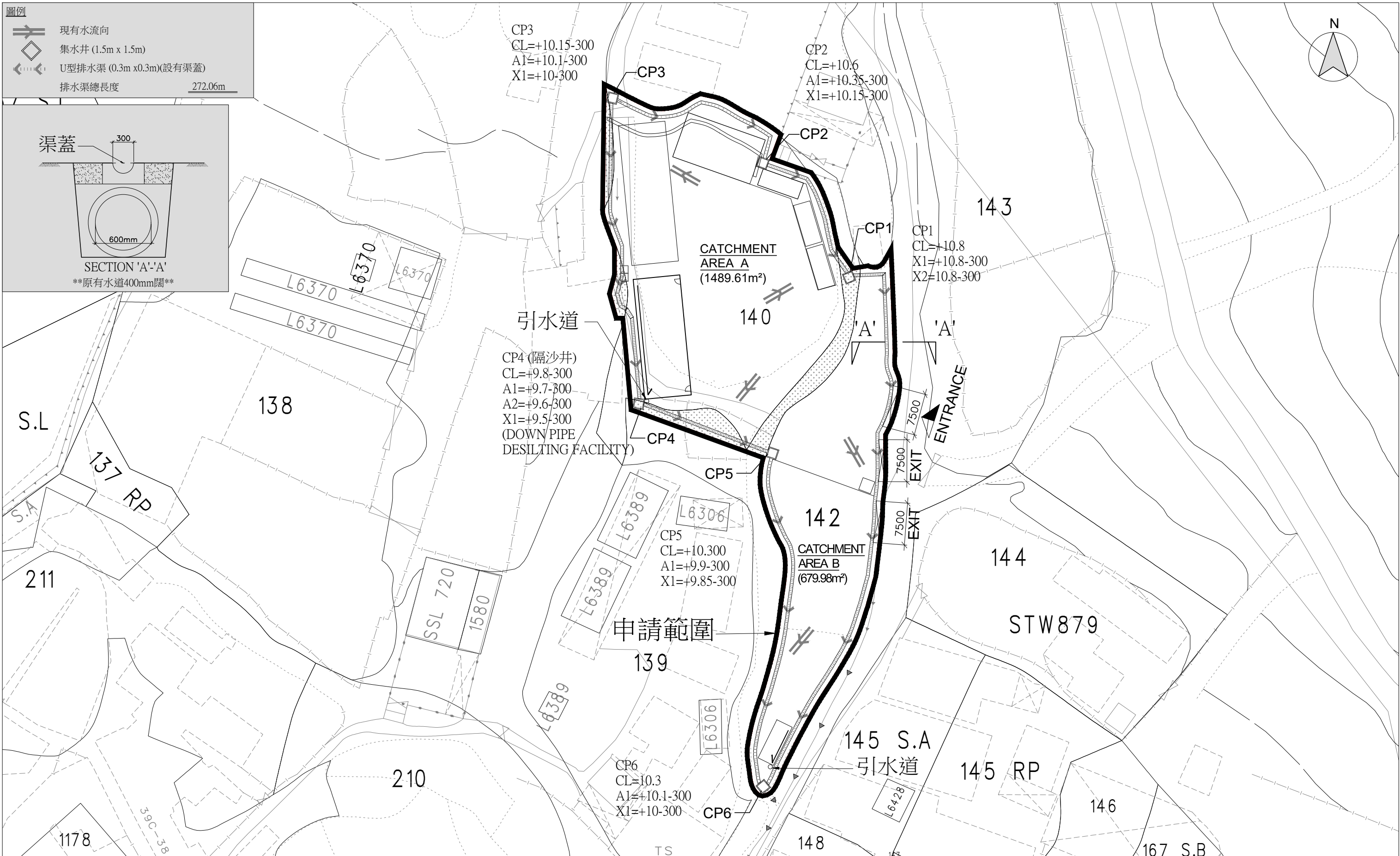
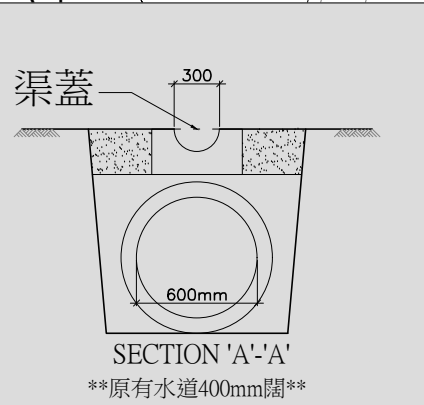


**圖例**

- 現有水流向
- 集水井 (1.5m x 1.5m)
- U型排水渠 (0.3m x 0.3m)(設有渠蓋)
- 排水渠總長度 272.06m



**M&D**  
**Planning and Construction**  
**Consultant Ltd.**  
 Tel: 2191 4088 Fax: 3105 0810  
 Email: sales@moderneng.com.hk

Project  
 LOT D.D. 140 PART, 142 PART AND ADJOINING GOVERNMENT LAND IN D.D. 52, FU TEI AU, SHEUNG SHUI, NEW TERRITORIES

Application  
 TEMPORARY STORAGE CONTAINER /REPAIR YARD WITH ANCILLARY OFFICE FOR A PERIOD OF 3 YEARS

Drawing Title PROPOSED DRAINAGE LAYOUT PLAN		Notes	
Scale 1:500 (A3)	Revisions -	Copyright Reserved nothing may be reprinted or utilized in any form or by any means without written permission from the M&D.	
Drawn by Arthur	Designed by LW	Checked by AY	Date 24-SEPT-2024
Job No. -	Drawing No. P-05	Revisions	Description

Revisions	Description	Date
-----------	-------------	------