

<p>Project 項目名稱: Proposed Temporary Warehouse for Storage of Construction Materials for a Period of 3 Years & Filling of Land at Lots 466 RP (Part) & 467 RP in D.D. 90, Lin Ma Hang Road, N.T.</p>	<p>Drawing Title 圖目: Application Site</p>	<p>Remarks 備註:</p>
	<p>Drawing No. 圖號: Figure 1</p>	<p>Scale 比例: 1:1000</p>



Structure 1
Warehouse for storage
of construction materials
GFA: Not exceeding 845m²
Height: Not exceeding 12m
No. of storey: 1

Structure 2
F.S. pump room
GFA: Not exceeding 12m²
Height: Not exceeding 3m
No. of storey: 1

Structure 3
Site office
GFA: Not exceeding 36m²
Height: Not exceeding 6m
No. of storey: 2

Structure 4
Toilet
GFA: Not exceeding 6m²
Height: Not exceeding 3m
No. of storey: 1

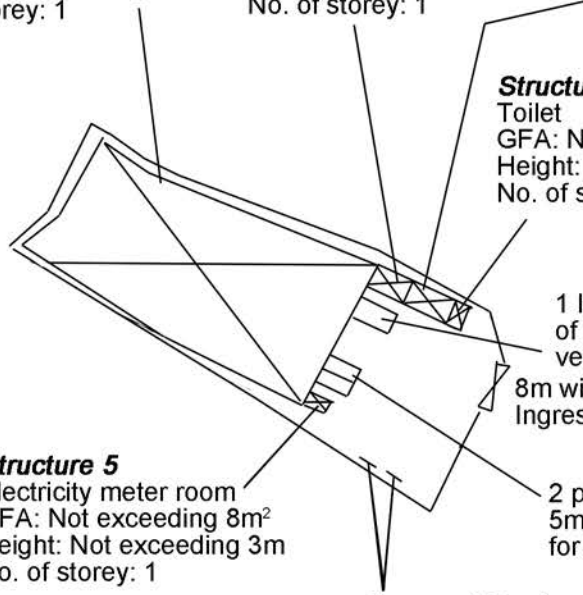
Structure 5
Electricity meter room
GFA: Not exceeding 8m²
Height: Not exceeding 3m
No. of storey: 1

1 loading/unloading spaces
of 7m x 3.5m for light goods
vehicle

8m wide
Ingress/Egress

2 parking spaces of
5m x 2.5m for private car
for staff

Proposed 2 pole-mounted
transformers



Project 項目名稱:

Proposed Temporary Warehouse for
Storage of Construction Materials for
a Period of 3 Years & Filling of Land
at Lots 466 RP (Part) & 467 RP in
D.D. 90, Lin Ma Hang Road, N.T.

Drawing Title 圖目:

Proposed Layout Plan

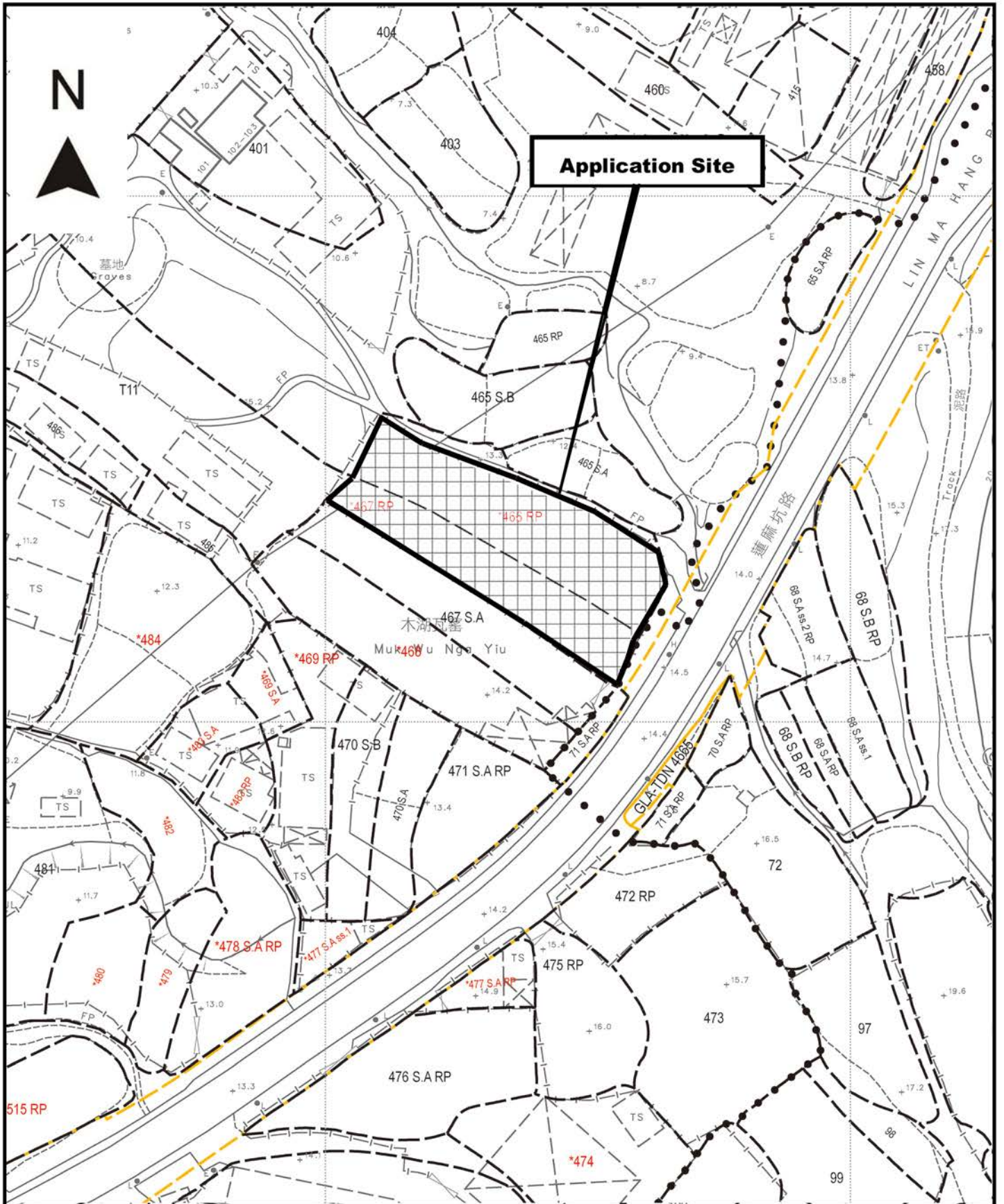
Remarks 備註:

Drawing No. 圖號:

Figure 2

Scale 比例:

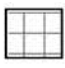
1:1000



Application Site

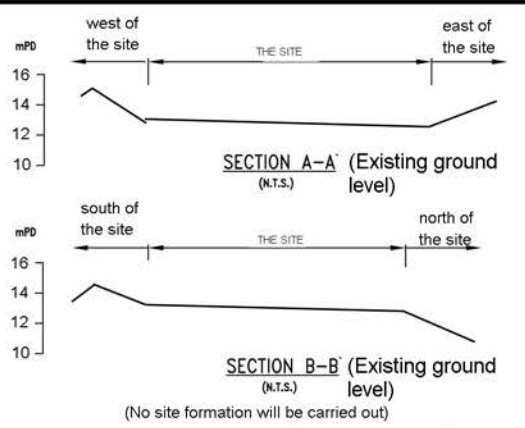
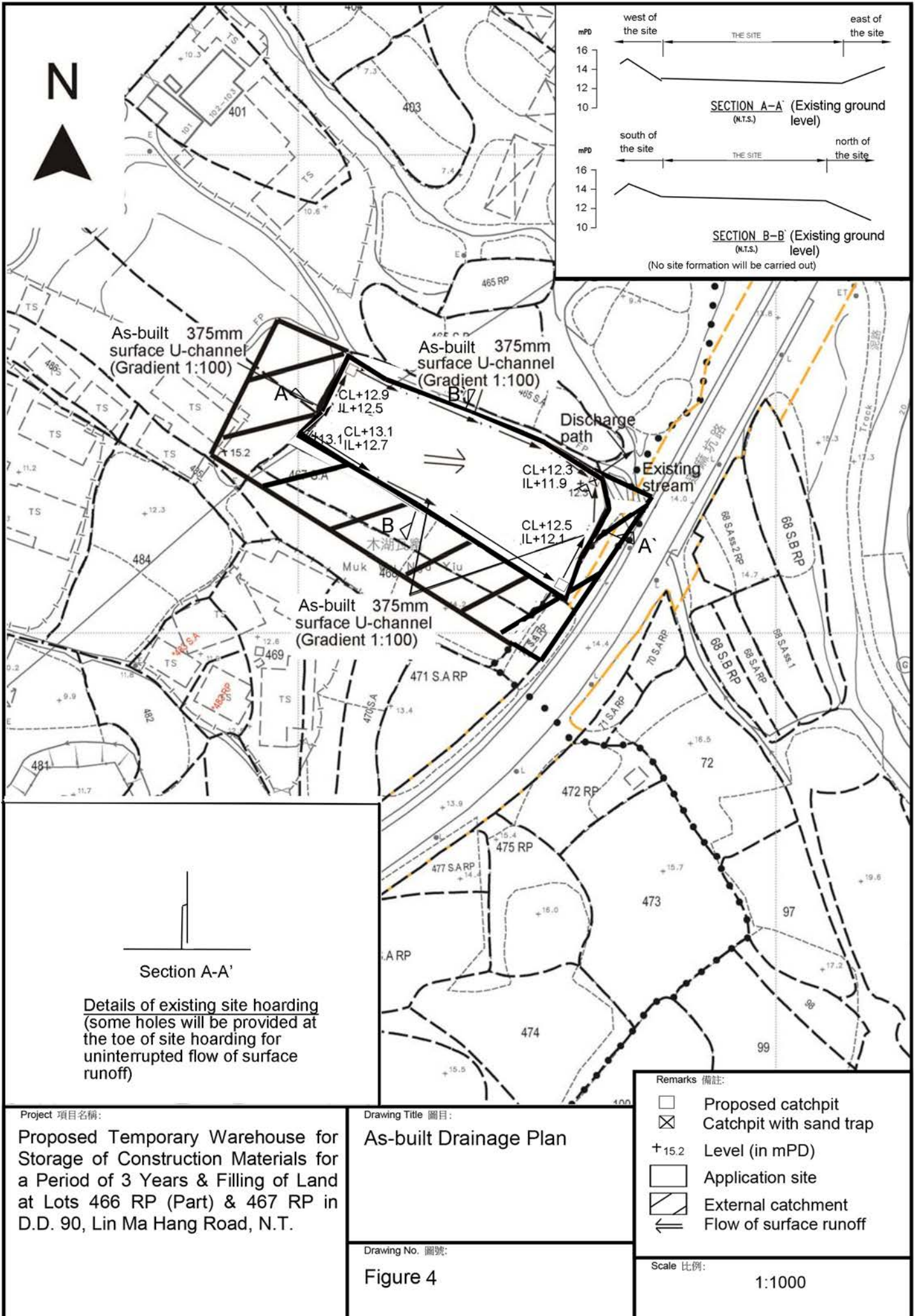
Project 項目名稱:
 Proposed Temporary Warehouse for Storage of Construction Materials for a Period of 3 Years & Filling of Land at Lots 466 RP (Part) & 467 RP in D.D. 90, Lin Ma Hang Road, N.T.

Drawing Title 圖目:
 Proposed Land Filling Plan

Remarks 備註:
 Proposed filling of land by 200mm thick concrete

Drawing No. 圖號:
 Figure 3

Scale 比例:
 1:1000



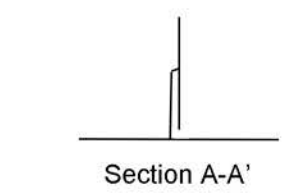
As-built 375mm surface U-channel (Gradient 1:100)

As-built 375mm surface U-channel (Gradient 1:100)

As-built 375mm surface U-channel (Gradient 1:100)

Discharge path

Existing stream



Details of existing site hoarding (some holes will be provided at the toe of site hoarding for uninterrupted flow of surface runoff)

Project 項目名稱:
Proposed Temporary Warehouse for Storage of Construction Materials for a Period of 3 Years & Filling of Land at Lots 466 RP (Part) & 467 RP in D.D. 90, Lin Ma Hang Road, N.T.

Drawing Title 圖目:
As-built Drainage Plan

Drawing No. 圖號:
Figure 4

- Remarks 備註:
- Proposed catchpit
 - Catchpit with sand trap
 - +15.2 Level (in mPD)
 - Application site
 - External catchment
 - Flow of surface runoff

Scale 比例:
1:1000