



前往地圖: <https://www.map.gov.hk/gm/geo:22.5382,114.2556?z=564>



©地圖版權屬香港特別行政區政府

地圖列印於 2024 年 4 月 16 日

0 49 m

由「地理資訊地圖」網站提供: <https://www.map.gov.hk>
注意: 使用此地圖受「地理資訊地圖」的使用條款及條件以及知識產權告示約束。

REV 1
DRAWING No. S2693-1

ANTENNA SCHEDULE

| ANTENNA POST NO. | P1 | | | P2 | | |
|-------------------|---------------------------------|-------------------|-------------------|-------------------|-------------------|-------------------|
| ANTENNA NO. | A1 (UPPER) | A2 (MIDDLE) | A3 (LOWER) | A4 (UPPER) | A5 (MIDDLE) | A6 (LOWER) |
| ANTENNA TYPE | MICROWAVE ANTENNA | MICROWAVE ANTENNA | MICROWAVE ANTENNA | MICROWAVE ANTENNA | MICROWAVE ANTENNA | MICROWAVE ANTENNA |
| BEARING (DEG) | - | - | - | - | - | - |
| DOWN TILT (DEG) | - | - | - | - | - | - |
| MICROWAVE ANTENNA | SIZE=ø675x558(D)mm WEIGHT=100kg | | | | | |

ANCHOR SCHEDULE

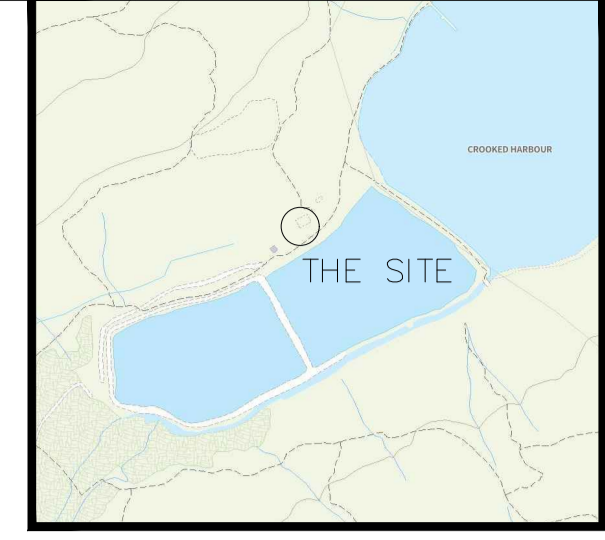
| ANCHOR TYPE | RECOMMENDED LOADS | | EFFECTIVE ANCHORAGE DEPTH (mm) | MIN. BASE MATERIAL THICKNESS (mm) | MIN. SPACING (mm) | EDGE DISTANCE (mm) |
|---------------|-------------------|-------------------------------|--------------------------------|-----------------------------------|-------------------|--------------------|
| | TENSION (kN) | TEST LOADS x 1.5 TENSION (kN) | | | | |
| HST3-R-M8-47 | 2.8 | 4.2 | 47 | 80 | 35 | 40 |
| HST3-R-M10-60 | 9 | 13.5 | 60 | 120 | 45 | 70 |

MARK SCHEDULE

| BEAM MARK | DESCRIPTION |
|-----------|-----------------------|
| C1 - C3 | 50x50x5mm THK. C |
| - | ø114.3x5mm THK. CHS |
| - | ø168.3x8mm THK. CHS |
| - | ø193.7x10mm THK. CHS |
| - | 10mm THK. STEEL PLATE |

LEGEND

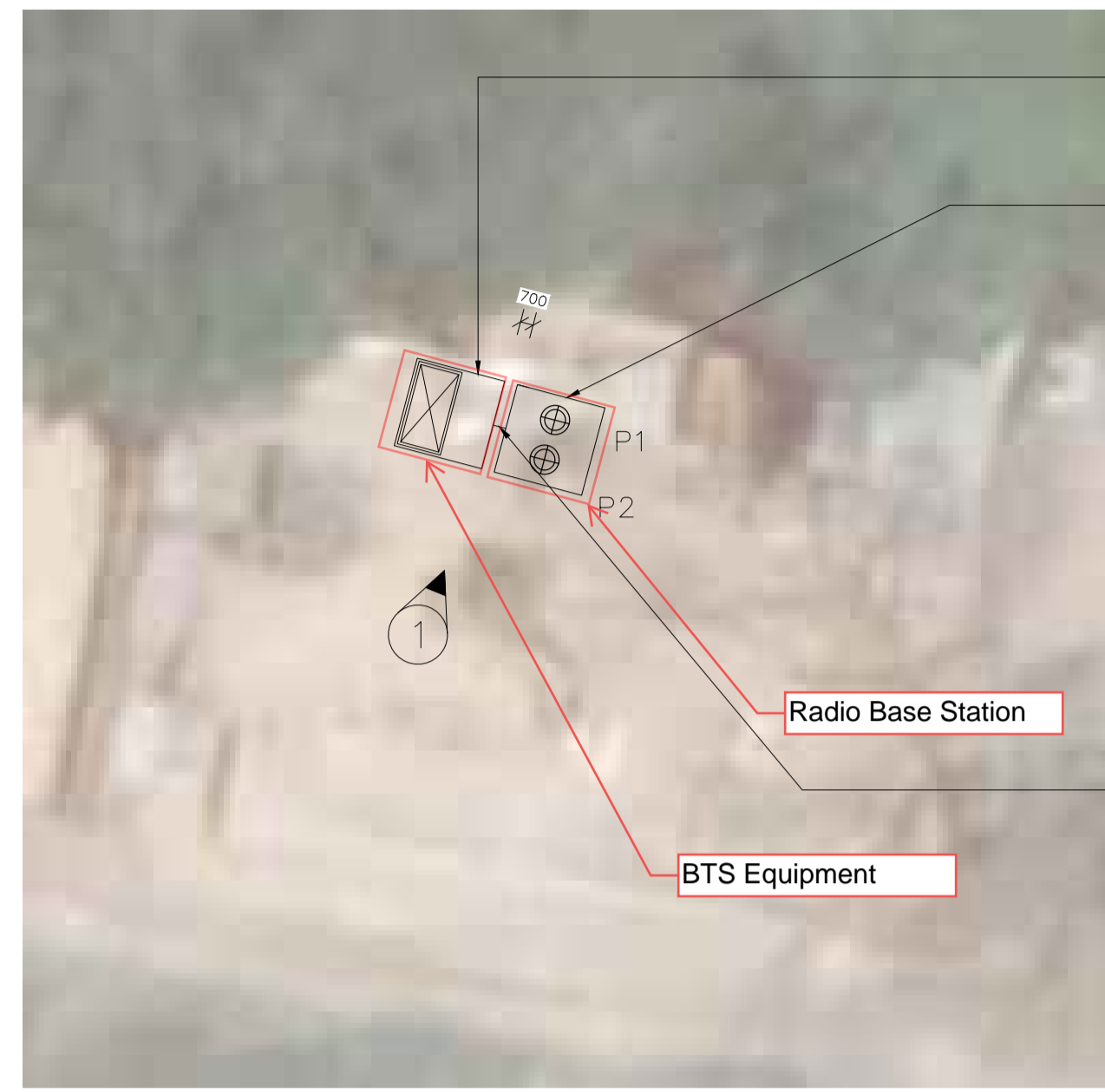
- PROPOSED BTS EQUIPMENT LOCATION
- PROPOSED ANTENNA POST P1 LOCATION
- PHOTO MARK (PHOTO REFER TO REPORT FOR INFORMATION ONLY)



DO NOT SCALE DRAWINGS, VERIFY ALL DIMENSIONS ON SITE.

GENERAL NOTES :

- ALL DIMENSIONS SHOWN ARE IN mm.
- EXACT DIMENSIONS TO BE VERIFIED ON SITE.
- ALL NEW STRUCTURAL STEEL WORK CHECKING COMPLY WITH THE CODE OF PRACTICE FOR THE STRUCTURAL USE OF STEEL 2011.
- ALL STRUCTURAL STEEL SHALL BE CLASS 1 OF GRADE S275 MINIMUM TO BS EN 10025 PART 1-4 : 2004 STANDARD OR EQUIVALENT COMPLY WITH THE RELEVANT REFERENCE MATERIAL STANDARDS IN ANNEX A1.1 OF THE CODE OF PRACTICE FOR THE STRUCTURAL USE OF STEEL 2011.
- ALL HOT FINISHED STRUCTURAL HOLLOW SECTIONS SHOULD COMPLY WITH BS EN 10210 PART 1:2006
- ALL STRUCTURAL STEEL SHALL BE HOT-DIP GALVANIZED TO A COATING OF 85 MICRONS THICK AND TWO COATS OF ZINC RICH PRIMER SHALL BE APPLIED AFTER WELDING CONNECTION TO BS EN ISO 1461:2009
- ALL STEEL BOLT/STUD/NUT TO BE GRADE 8.8 COMPLY WITH BS EN ISO 3506 PART 1 & 2: 2009 (P16=375N/mm², P16=560N/mm².)
- ALL WELDING SHALL BE IN ACCORDANCE WITH REQUIREMENT AS PER BS EN 1011 PART 1:2009 & PART 2:2001 (MIN. STRENGTH=220N/mm².)
- MAX. IMPOSED LOADING :
1) EQUIPMENT SELF WEIGHT = 450kg (MAX.)
- WIND PRESSURE IS IN ACCORDANCE WITH CODE OF PRACTICE ON WIND EFFECTS HONG KONG 2019. DESIGN WIND PRESSURE=1.35kPa, C1=1.20 FOR EQUIPMENT. DESIGN WIND PRESSURE=1.85kPa, C1=1.80 FOR ANTENNA.
- THE DESIGN AND CONSTRUCTION OF THE PROPOSED WORK SHALL COMPLY WITH THE BUILDINGS ORDINANCE, BUILDING REGULATIONS AND FIRE SAFETY IN BUILDINGS 2011.
- ALL HILTI ANCHOR BOLTS SHALL BE INSTALLED IN ACCORDANCE WITH THE MANUFACTURER'S SPECIFICATION.
- UNLESS OTHERWISE STATED, ALL ANCHOR BOLTS ARE HILTI TYPE AS SPECIFIED BELOW.
HST3-R-M12-70
MIN. EMBEDMENT LENGTH
12mm DIAMETER ANCHOR
ANCHOR TYPE
- ADDITIONAL PLASTIC SHEET WACHER SHOULD BE PROVIDED BETWEEN S.S. BOLT & GMS STEEL.
- ALL PLASTER TO BE 25mm THICK CEMENT : SAND = 1 : 3.
- ALL METAL SURFACE SHALL BE CLEANED THOROUGHLY TO REMOVE ALL DIRT, WELD SPATTER, GREASE AND THE LIKE. CHIP, SCRAPE AND WIRE-BRUSH TO REMOVE LOOSE SCALE UNTIL BACK TO CLEAN METAL REMOVE SURFACE FILE OF MILL AND BRUSH WITH DETERGENTS.
- CHIP OFF THE PLASTER FROM THE FACE OF THE R.C. MEMBERS TO BE IN CONTACT WITH THE STEEL MEMBERS BEFORE INSTALLING.
- ALL WELDING TO BE 5mm FILLET WELD ALL ROUND UNLESS OTHERWISE STATED.
- ROUTING SHOULD BE ADJUSTED ON SITE TO AVOID CROSSING ON EXISTING SERVICE DUCTS. ALL CONDUIT SHALL BE IN C/J.
- ADEQUATE EARTHING PROTECTION SHALL BE PROVIDED.
- ALL ELECTRICAL WORK SHALL COMPLY WITH THE CURRENT COP, IEE AND POWER COMPANY REGULATION.
- POWER SUPPLY SHOULD BE 200A TPN CLP METER.
- NAME PLATE SHOULD BE PROVIDED ON ALL PROPOSED EQUIPMENT CABINET, COAXIAL CABLES, CONDUITS AND FACILITIES FOR EASY IDENTIFICATION.
- ALL NEW CONCRETE USED TO BE DESIGNED MIXED 300/20.
- CONCRETE COVER TO MAIN REINFORCEMENT TO BE 75mm FOR FOOTING.

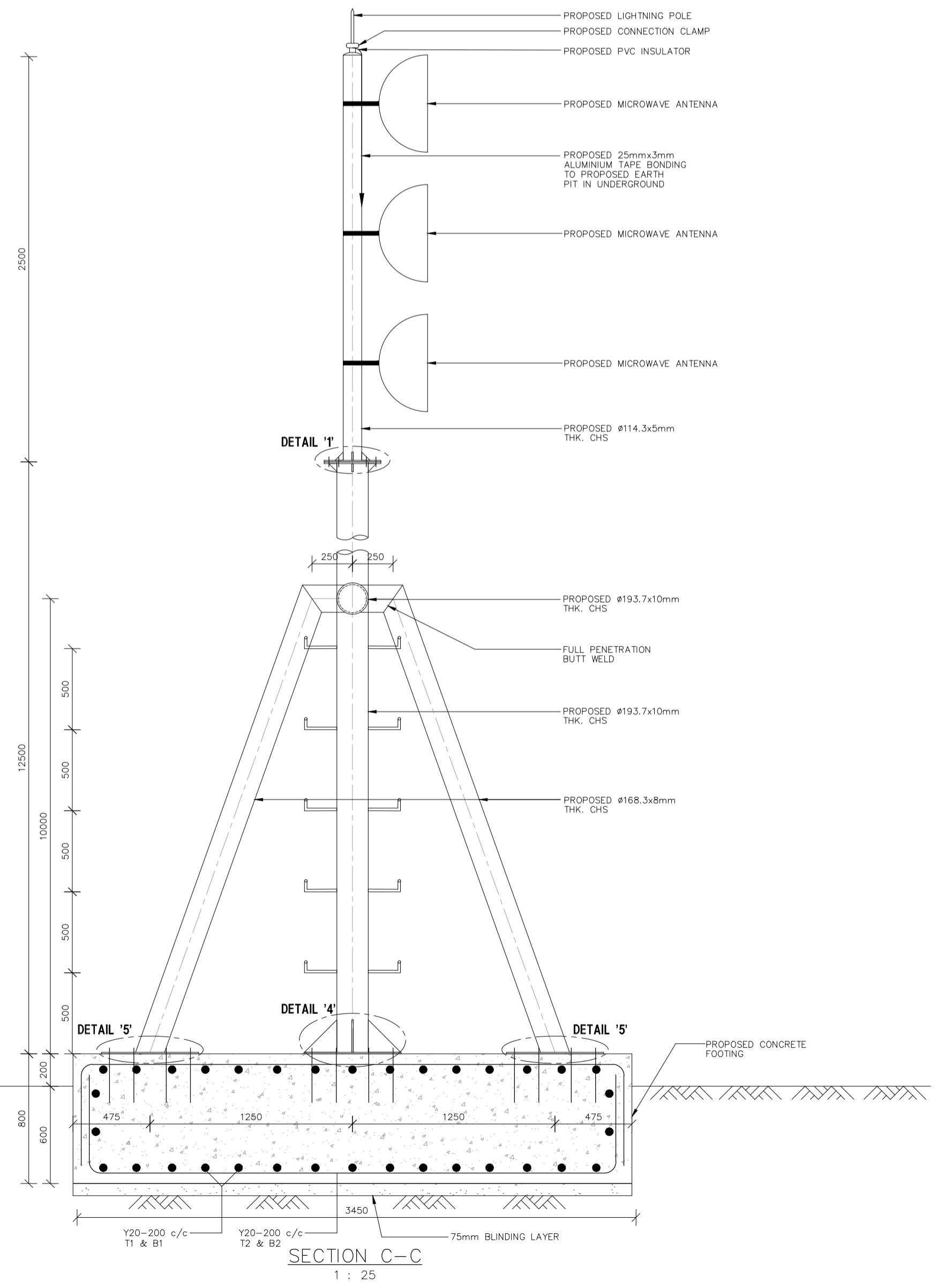
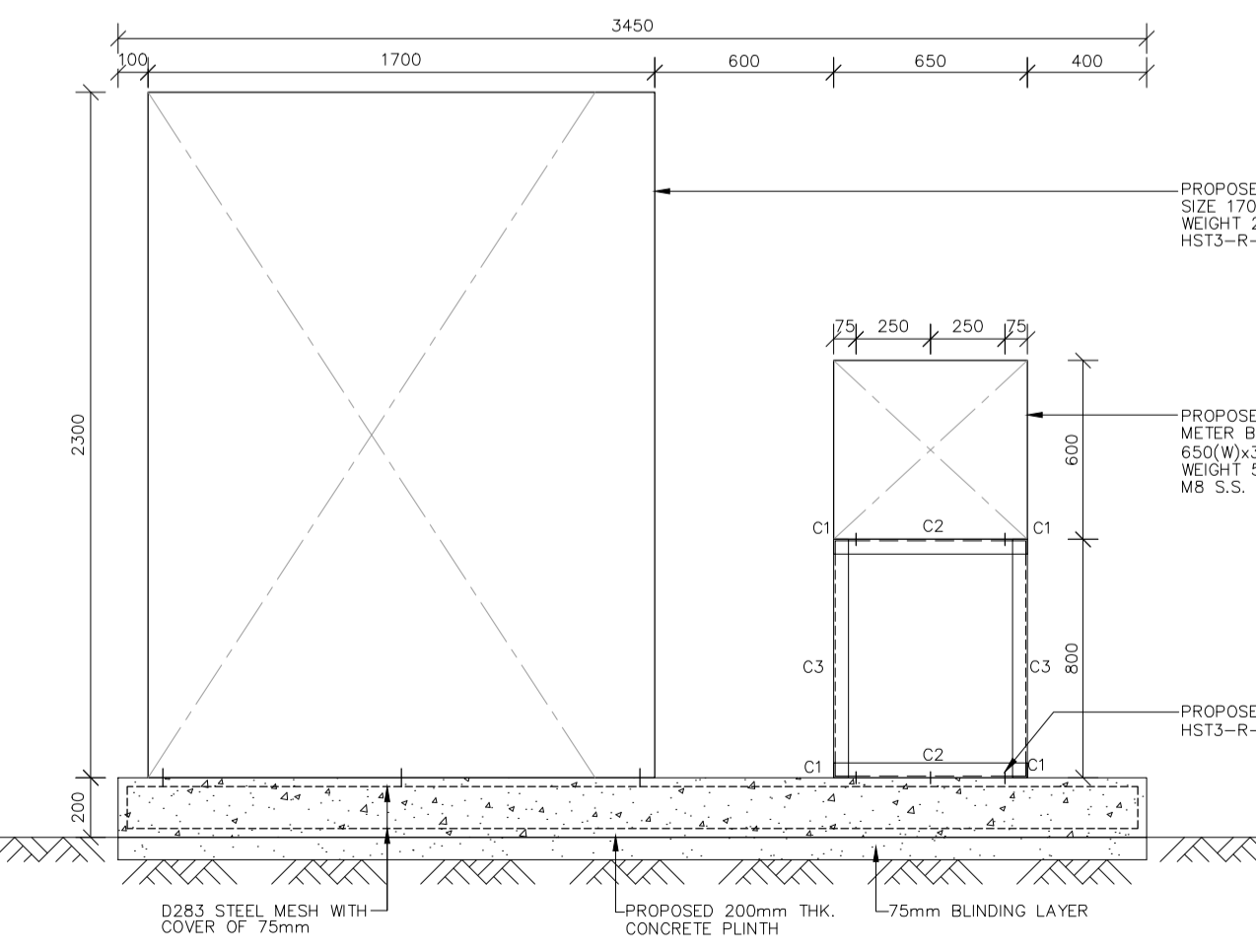
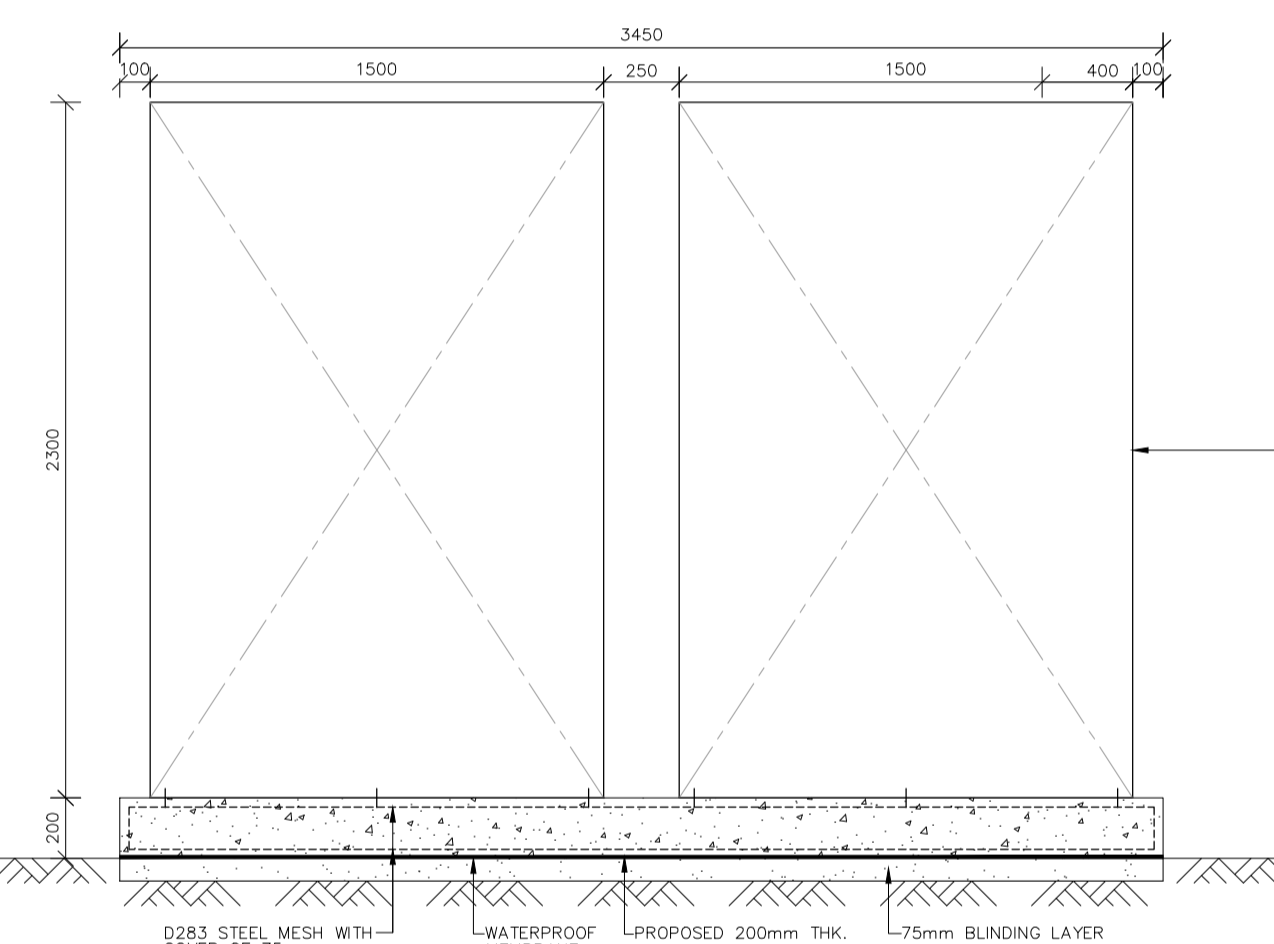
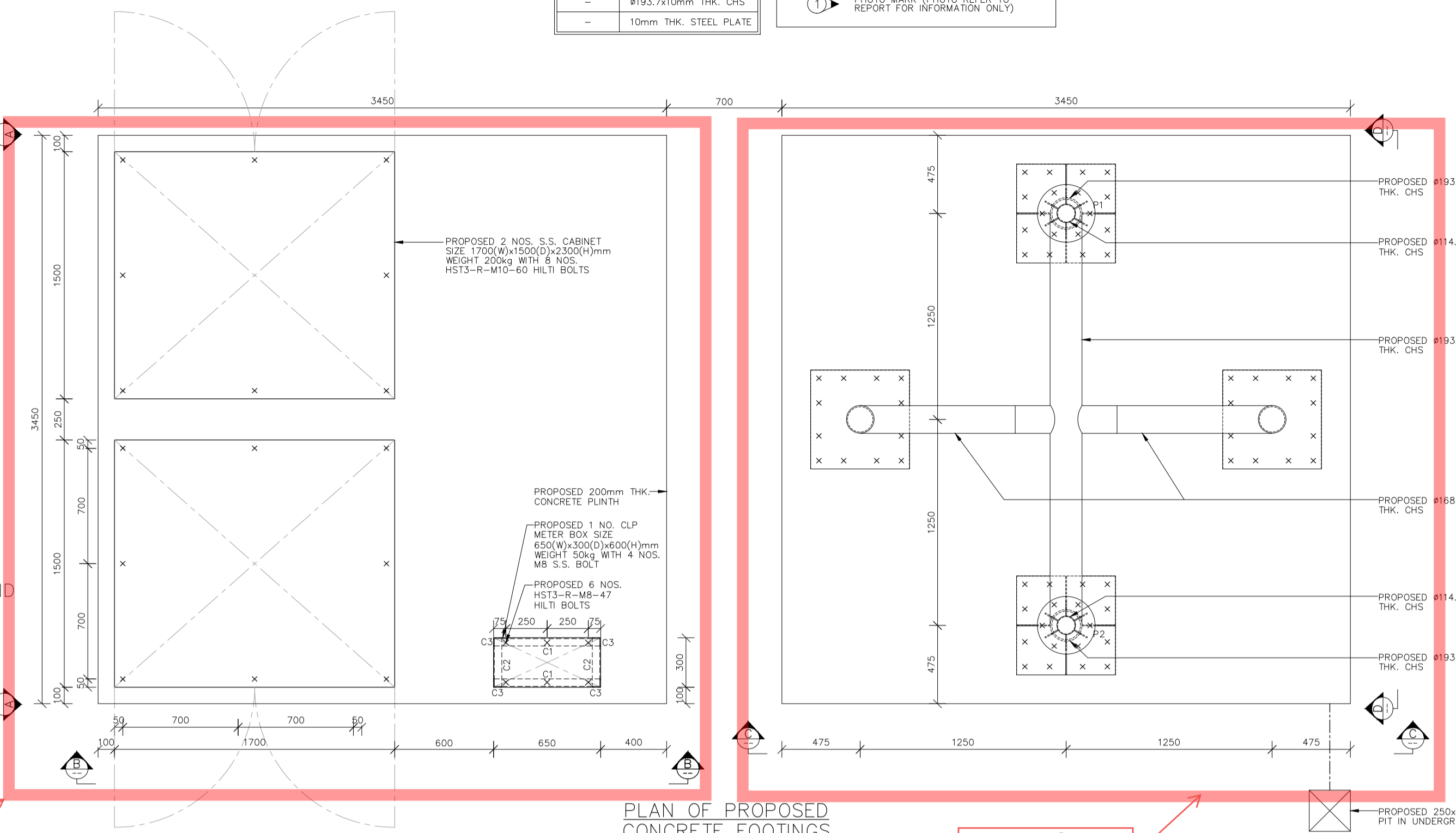


KEY PLAN
N.T.S.

PROPOSED EQUIPMENT CONCRETE FOOTING LOCATION (BTS EQUIPMENT)

PROPOSED ANTENNA CONCRETE FOOTING LOCATION (RADIO BASE STATION)

PROPOSED ARMoured FIBER & POWER CABLE RUN IN UNDERGROUND



| REV | DESCRIPTION | DATE | BY | CHK'D | APP |
|---|---------------|---------------|-----------|-------|-----|
| 創域工程有限公司 JEG Engineering Co. Ltd. 1/F, Bk E, Cheong Fat Factory Bldg., 346 Fuk Wing St., Cheung Sha Wan, Kln. TEL : 2117 9500 FAX : 3103 8077 E-MAIL : jeg@jeg-ltd.com | | | | | |
| HGC 環電 GLOBAL COMMUNICATIONS | | | | | |
| PROJECT : SO LO PUN (APPLICATION FOR BLOCK LICENSE) | | | | | |
| DRAWING TITLE : DETAILS OF TRANSMISSION MICROWAVE ANTENNA | | | | | |
| SCALE AT A1 | DESIGNED : | DRAWN : | CHECKED : | | |
| AS SHOWN | A. CHAN | S.M. | G.C. | | |
| | APPROVED : | DATE | | | |
| | A. CHAN | 29 FEB., 2024 | | | |
| PROJECT No. | DRAWING No. : | REV. | | | |
| J8009 | S2693-1 | - | | | |

Chan Lit Ming (RSE 18/00)
Registered Structural Engineer

REV 1
DRAWING No. S2693-1

ANTENNA SCHEDULE

| ANTENNA POST NO. | P1 | | | P2 | | |
|-------------------|--------------------------------|-------------------|-------------------|-------------------|-------------------|-------------------|
| ANTENNA NO. | A1 (UPPER) | A2 (MIDDLE) | A3 (LOWER) | A4 (UPPER) | A5 (MIDDLE) | A6 (LOWER) |
| ANTENNA TYPE | MICROWAVE ANTENNA | MICROWAVE ANTENNA | MICROWAVE ANTENNA | MICROWAVE ANTENNA | MICROWAVE ANTENNA | MICROWAVE ANTENNA |
| BEARING (DEG) | - | - | - | - | - | - |
| DOWNTILT (DEG) | - | - | - | - | - | - |
| MICROWAVE ANTENNA | SIZE=#675x558(D)mm WEIGHT=10kg | | | | | |

ANCHOR SCHEDULE

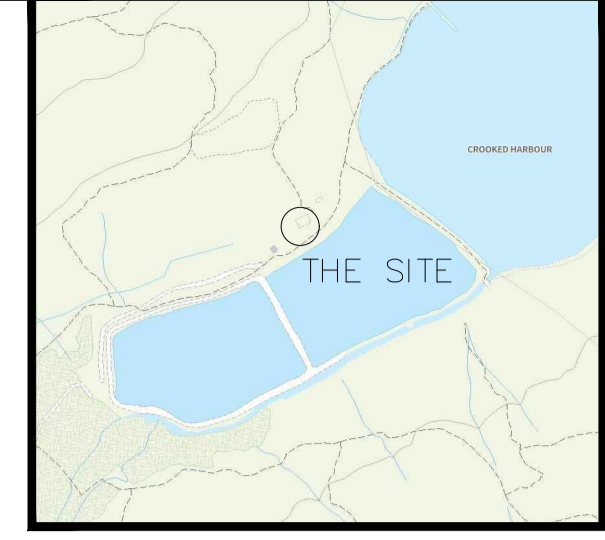
| ANCHOR TYPE | RECOMMENDED LOADS | | EFFECTIVE ANCHORAGE DEPTH (mm) | MIN. BASE MATERIAL THICKNESS (mm) | MIN. SPACING (mm) | EDGE DISTANCE (mm) |
|---------------|-------------------|-------------------------------|--------------------------------|-----------------------------------|-------------------|--------------------|
| | TENSION (kN) | TEST LOADS x 1.5 TENSION (kN) | | | | |
| HST3-R-M8-47 | 2.8 | 4.2 | 47 | 80 | 35 | 40 |
| HST3-R-M10-60 | 9 | 13.5 | 60 | 120 | 45 | 70 |

MARK SCHEDULE

| BEAM MARK | DESCRIPTION |
|-----------|-----------------------|
| C1 - C3 | 50x50x5mm THK. C |
| - | #114.3x5mm THK. CHS |
| - | #168.3x8mm THK. CHS |
| - | #193.7x10mm THK. CHS |
| - | 10mm THK. STEEL PLATE |

LEGEND

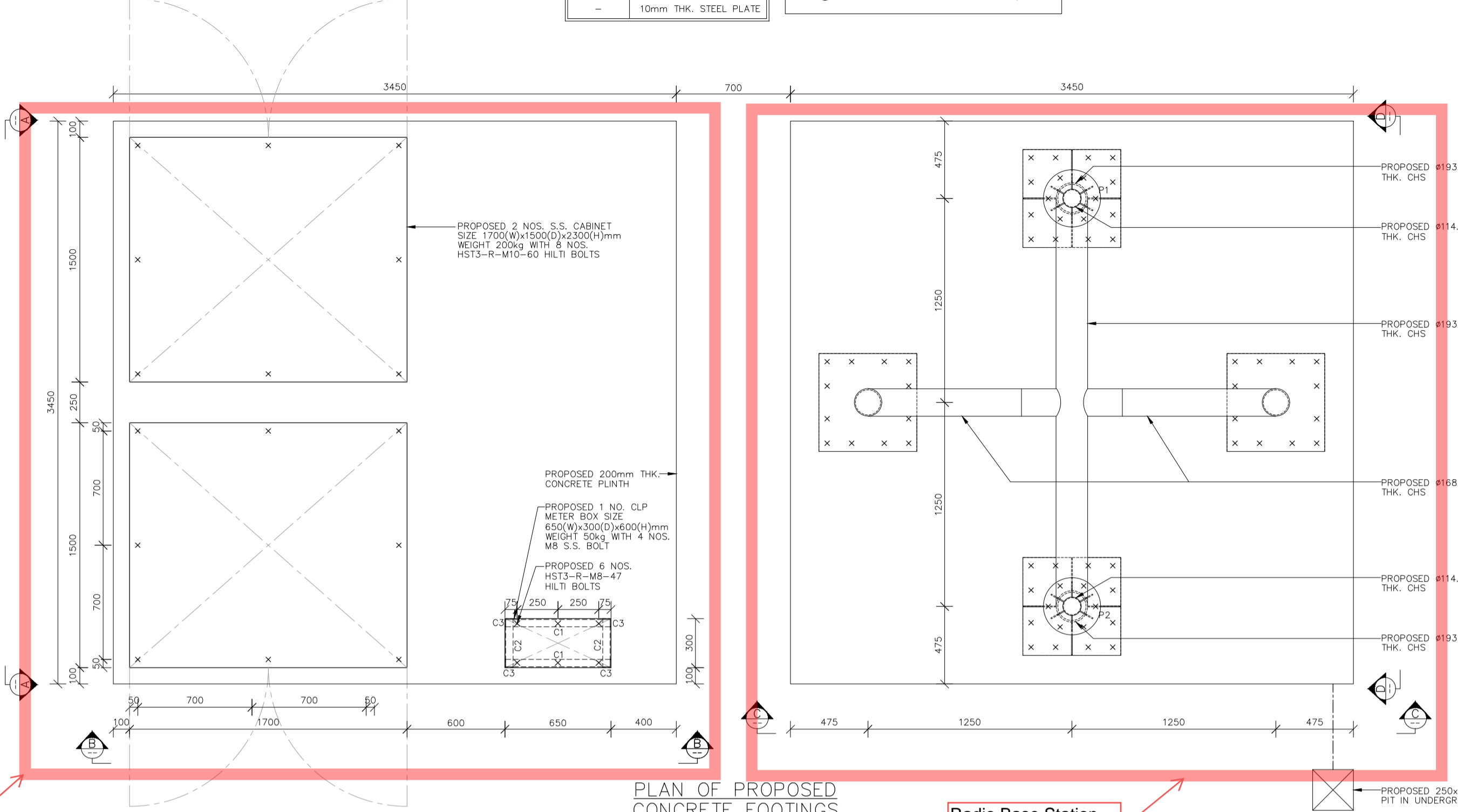
- ⊗ PROPOSED BTS EQUIPMENT LOCATION
- ⊕ P1 PROPOSED ANTENNA POST P1 LOCATION
- ⊙ PHOTO MARK (PHOTO REFER TO REPORT FOR INFORMATION ONLY)



DO NOT SCALE DRAWINGS, VERIFY ALL DIMENSIONS ON SITE.

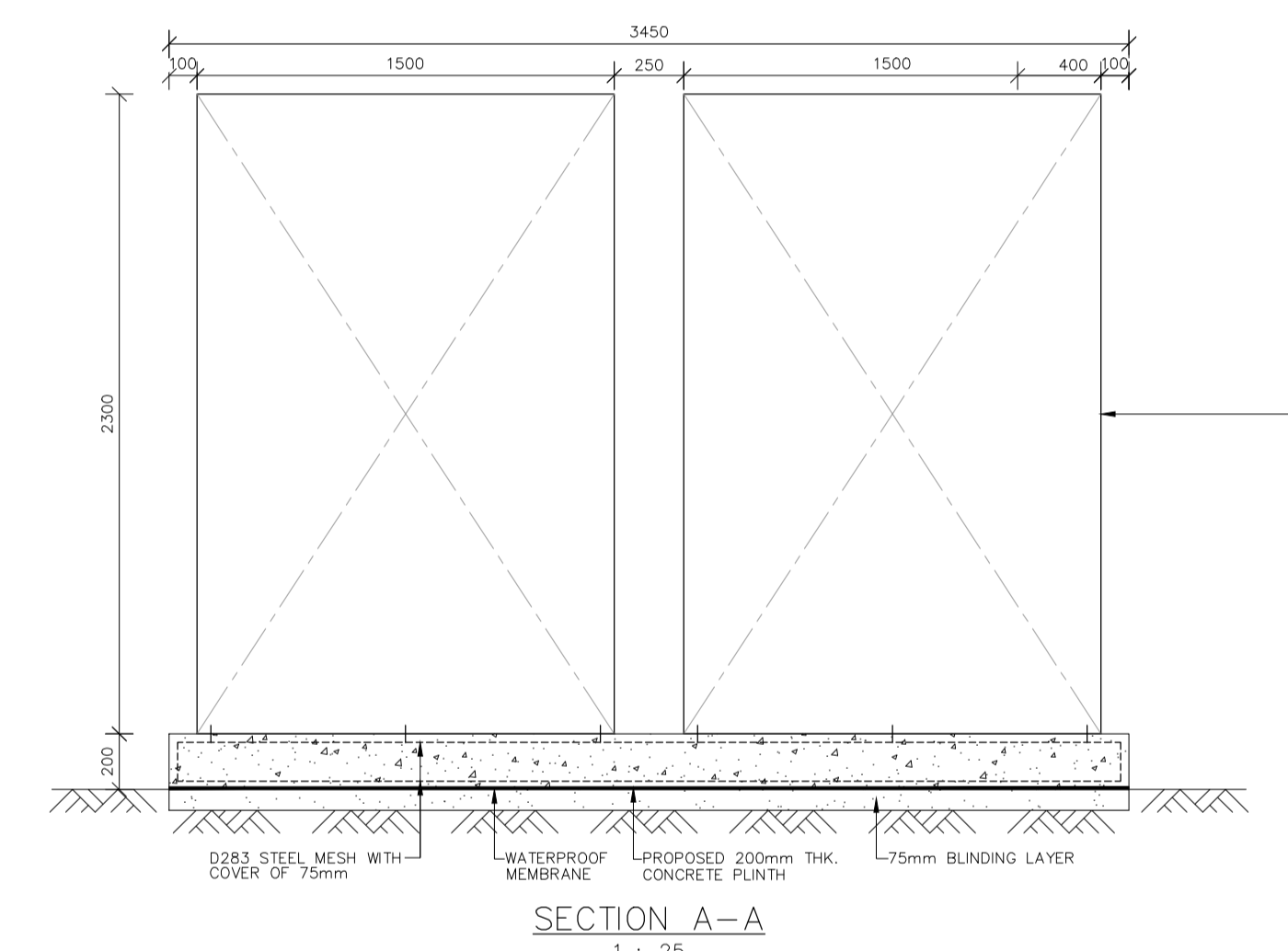
GENERAL NOTES :

- ALL DIMENSIONS SHOWN ARE IN mm.
- EXACT DIMENSIONS TO BE VERIFIED ON SITE.
- ALL NEW STRUCTURAL STEEL WORK CHECKING COMPLY WITH THE CODE OF PRACTICE FOR THE STRUCTURAL USE OF STEEL 2011.
- ALL STRUCTURAL STEEL SHALL BE CLASS 1 OF GRADE S275 MINIMUM TO BS EN 10025 PART 1 & 2004 STANDARD OR EQUIVALENT COMPLY WITH THE RELEVANT REFERENCE MATERIAL STANDARDS IN ANNEX A1.1 OF THE CODE OF PRACTICE FOR THE STRUCTURAL USE OF STEEL 2011.
- ALL HOT FINISHED STRUCTURAL HOLLOW SECTIONS SHOULD COMPLY WITH BS EN 10210 PART 1:2006
- ALL STRUCTURAL STEEL SHALL BE HOT-DIP GALVANIZED TO A COATING OF 85 MICRONS THICK AND TWO COATS OF ZINC RICH PRIMER SHALL BE APPLIED AFTER WELDING CONNECTION TO BS EN ISO 1461:2009
- ALL STEEL BOLT/STUD/NUT TO BE GRADE 8.8 COMPLY WITH BS EN ISO 3506 PART 1 & 2: 2009 (P16=375N/mm², P16=560N/mm².)
- ALL WELDING SHALL BE IN ACCORDANCE WITH REQUIREMENT AS PER BS EN 1011 PART 1:2009 & PART 2:2001 (MIN. STRENGTH=220N/mm².)
- MAX. IMPOSED LOADING :
1) EQUIPMENT SELF WEIGHT = 450kg (MAX.)
- WIND PRESSURE IS IN ACCORDANCE WITH CODE OF PRACTICE ON WIND EFFECTS HONG KONG 2019. DESIGN WIND PRESSURE=1.35q_{p0}, C_f=1.20 FOR EQUIPMENT. DESIGN WIND PRESSURE=1.35q_{p0}, C_f=1.80 FOR ANTENNA.
- THE DESIGN AND CONSTRUCTION OF THE PROPOSED WORK SHALL COMPLY WITH THE BUILDINGS ORDINANCE, BUILDING REGULATIONS AND FIRE SAFETY IN BUILDINGS 2011.
- UNLESS OTHERWISE STATED, ALL ANCHOR BOLTS ARE HILTI TYPE AS SPECIFIED BELOW.
HST3-R-M12-70
MIN. EMBEDMENT LENGTH
12mm DIAMETER ANCHOR
ANCHOR TYPE
- ADDITIONAL PLASTIC SHEET WASTER SHOULD BE PROVIDED BETWEEN S.S. BOLT & GMS STEEL.
- ALL PLASTER TO BE 25mm THICK CEMENT : SAND = 1 : 3.
- ALL METAL SURFACE SHALL BE CLEANED THOROUGHLY TO REMOVE ALL DIRT, WELD SPATTER, GREASE AND THE LIKE. CHIP, SCRAPE AND WIRE-BRUSH TO REMOVE LOOSE SCALE UNTIL BACK TO CLEAN METAL. REMOVE SURFACE FILE OF MILL AND BRUSH WITH DETERGENTS.
- CHIP OFF THE PLASTER FROM THE FACE OF THE R.C. MEMBERS TO BE IN CONTACT WITH THE STEEL MEMBERS BEFORE INSTALLING.
- ALL WELDING TO BE 5mm FILLET WELD ALL ROUND UNLESS OTHERWISE STATED.
- ROUTING SHOULD BE ADJUSTED ON SITE TO AVOID CROSSING ON EXISTING SERVICE DUCTS. ALL CONDUIT SHALL BE IN C/J.
- ADEQUATE EARTHING PROTECTION SHALL BE PROVIDED.
- ALL ELECTRICAL WORK SHALL COMPLY WITH THE CURRENT COP, IEE AND POWER COMPANY REGULATION.
- POWER SUPPLY SHOULD BE 200A TPN CLP METER.
- NAME PLATE SHOULD BE PROVIDED ON ALL PROPOSED EQUIPMENT CABINET, COAXIAL CABLES, CONDUITS AND FACILITIES FOR EASY IDENTIFICATION.
- ALL NEW CONCRETE USED TO BE DESIGNED MIXED 300/20.
- CONCRETE COVER TO MAIN REINFORCEMENT TO BE 75mm FOR FOOTING.

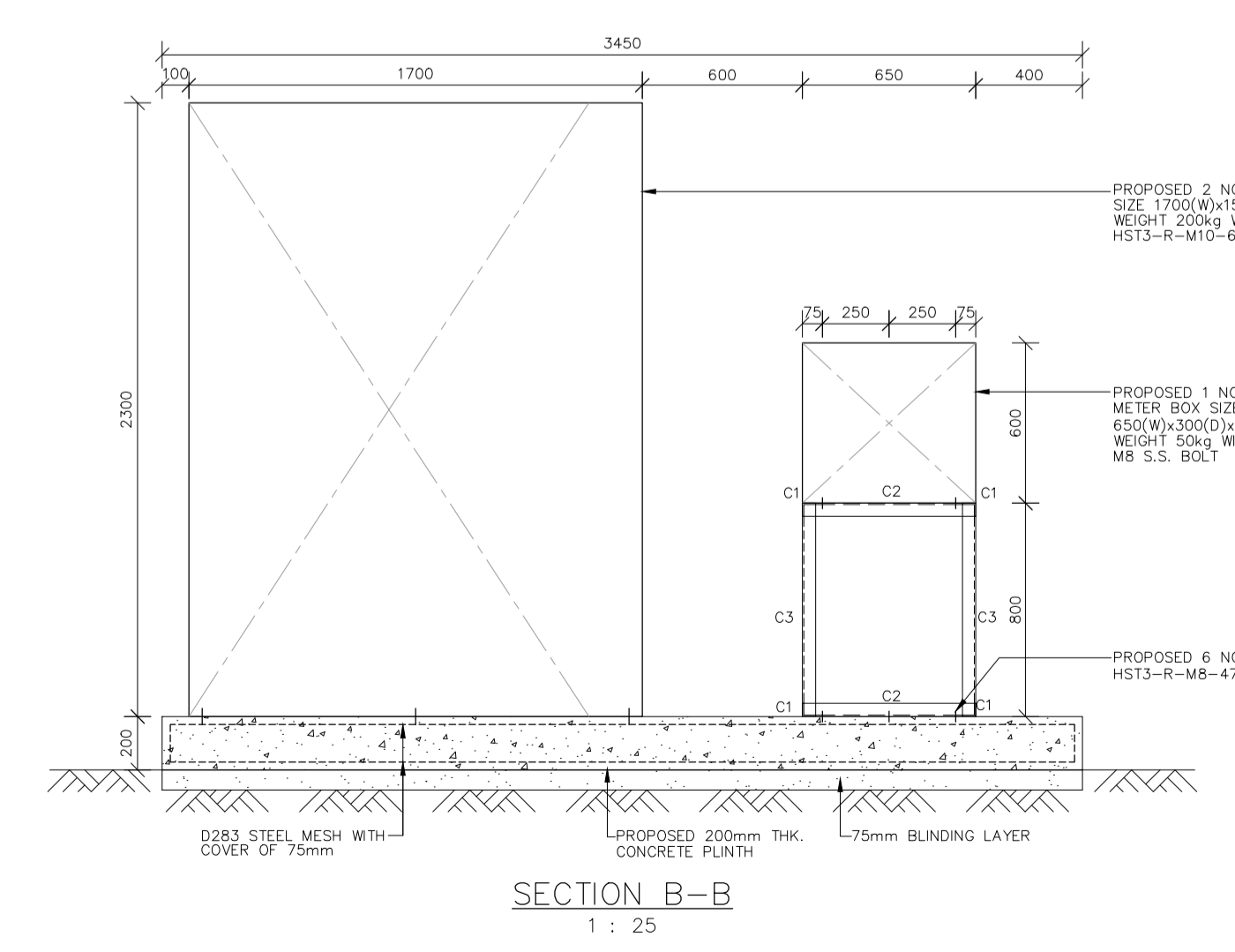


BLOCK PLAN

PLAN OF PROPOSED CONCRETE FOOTINGS



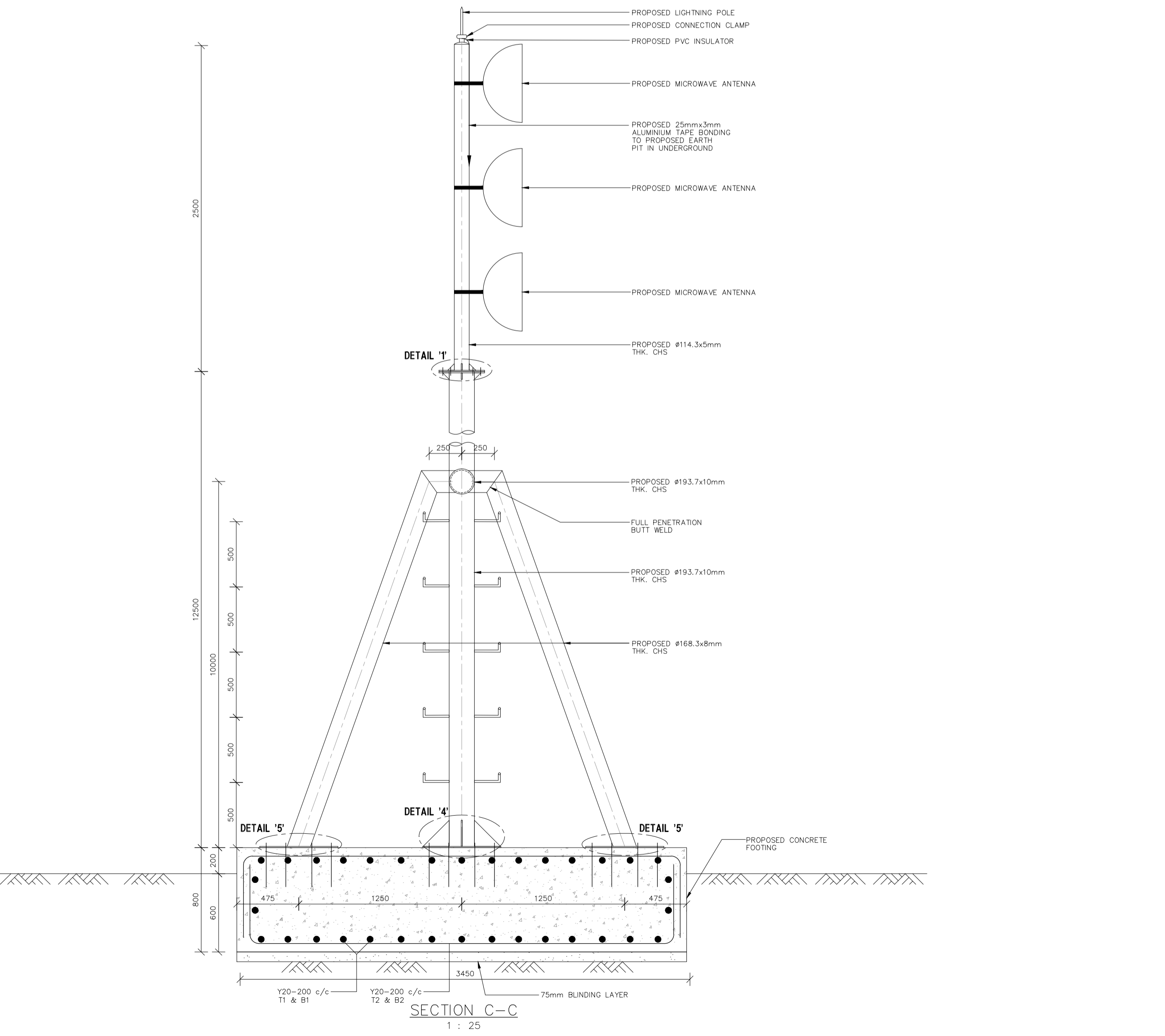
SECTION A-A



SECTION B-B

BTS Equipment

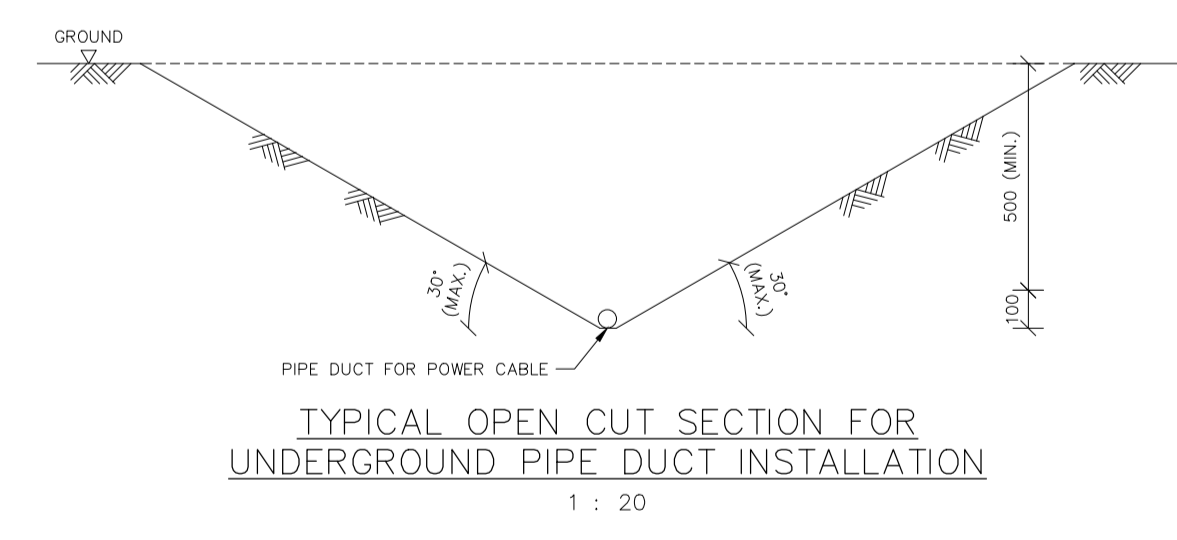
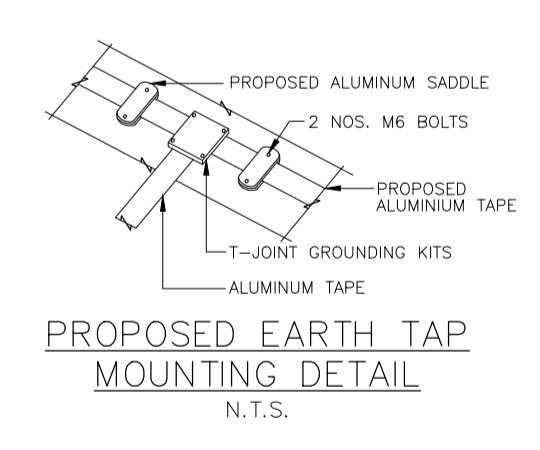
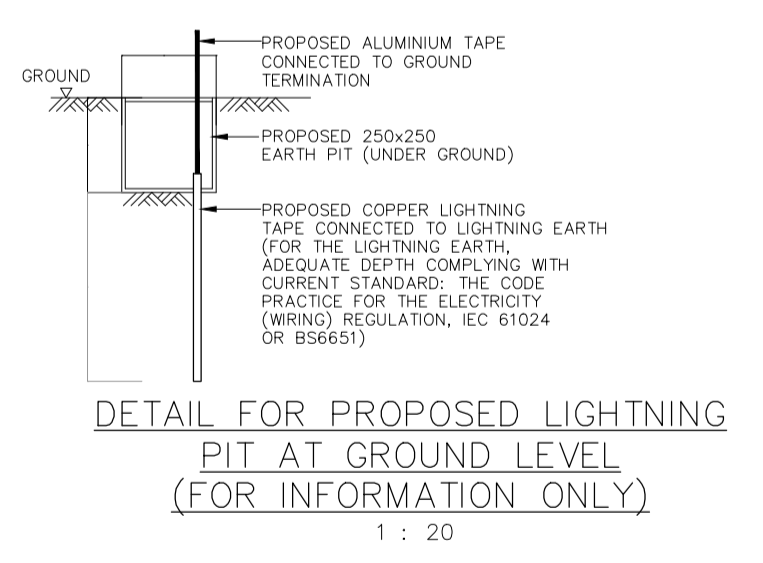
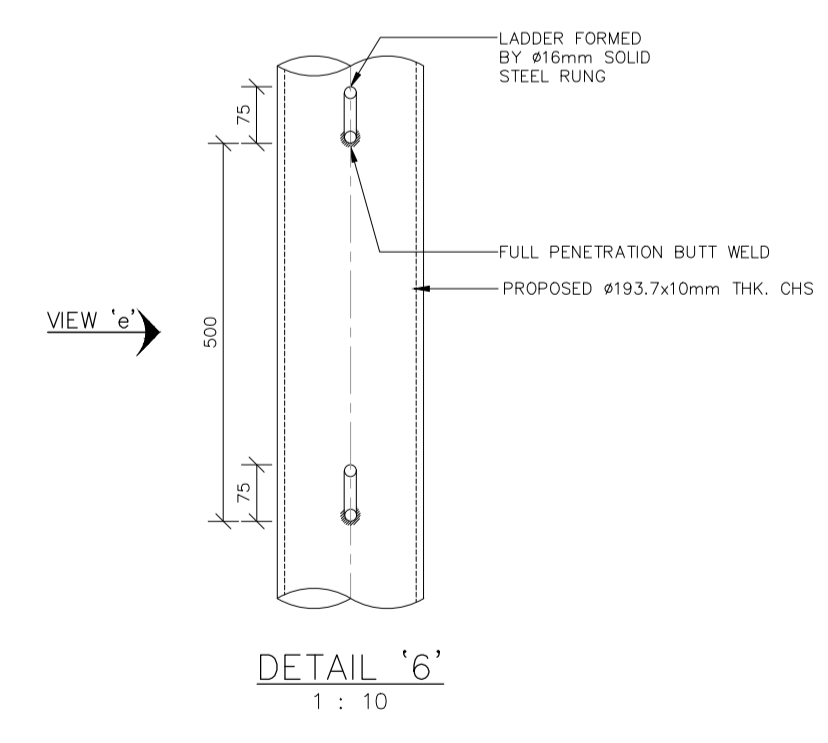
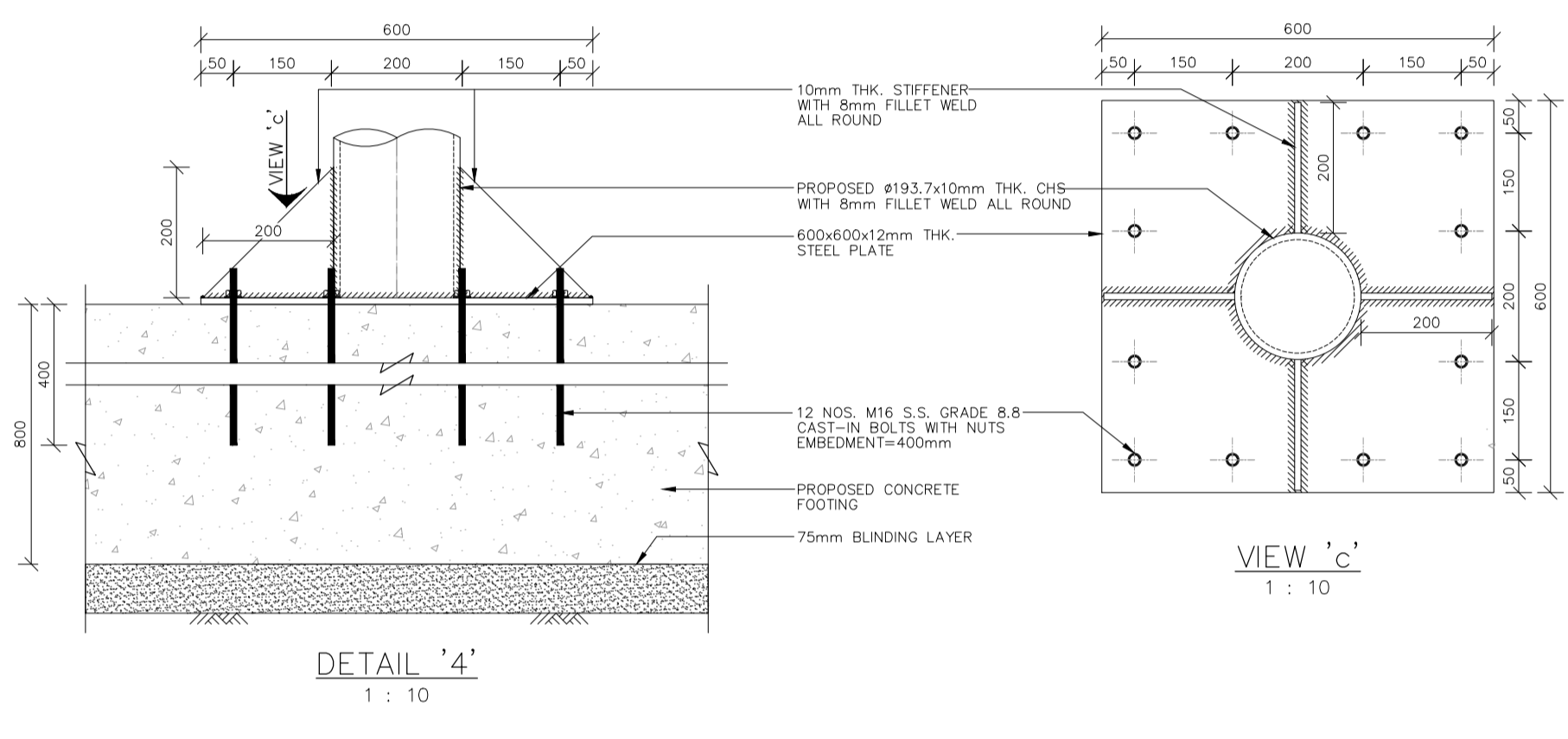
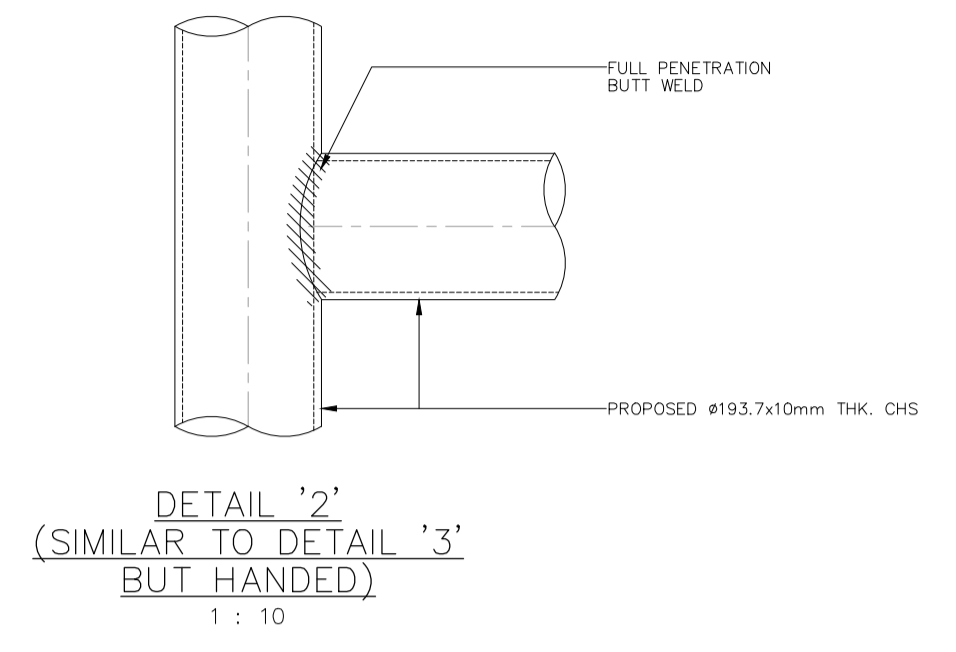
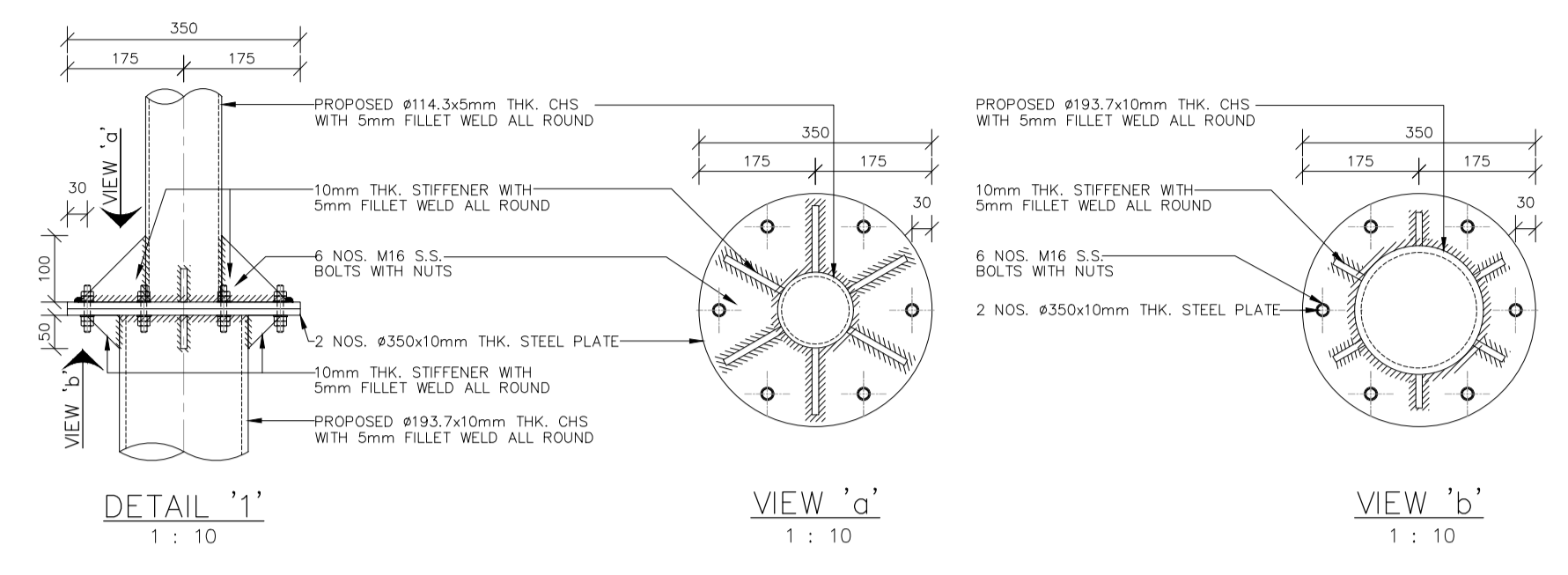
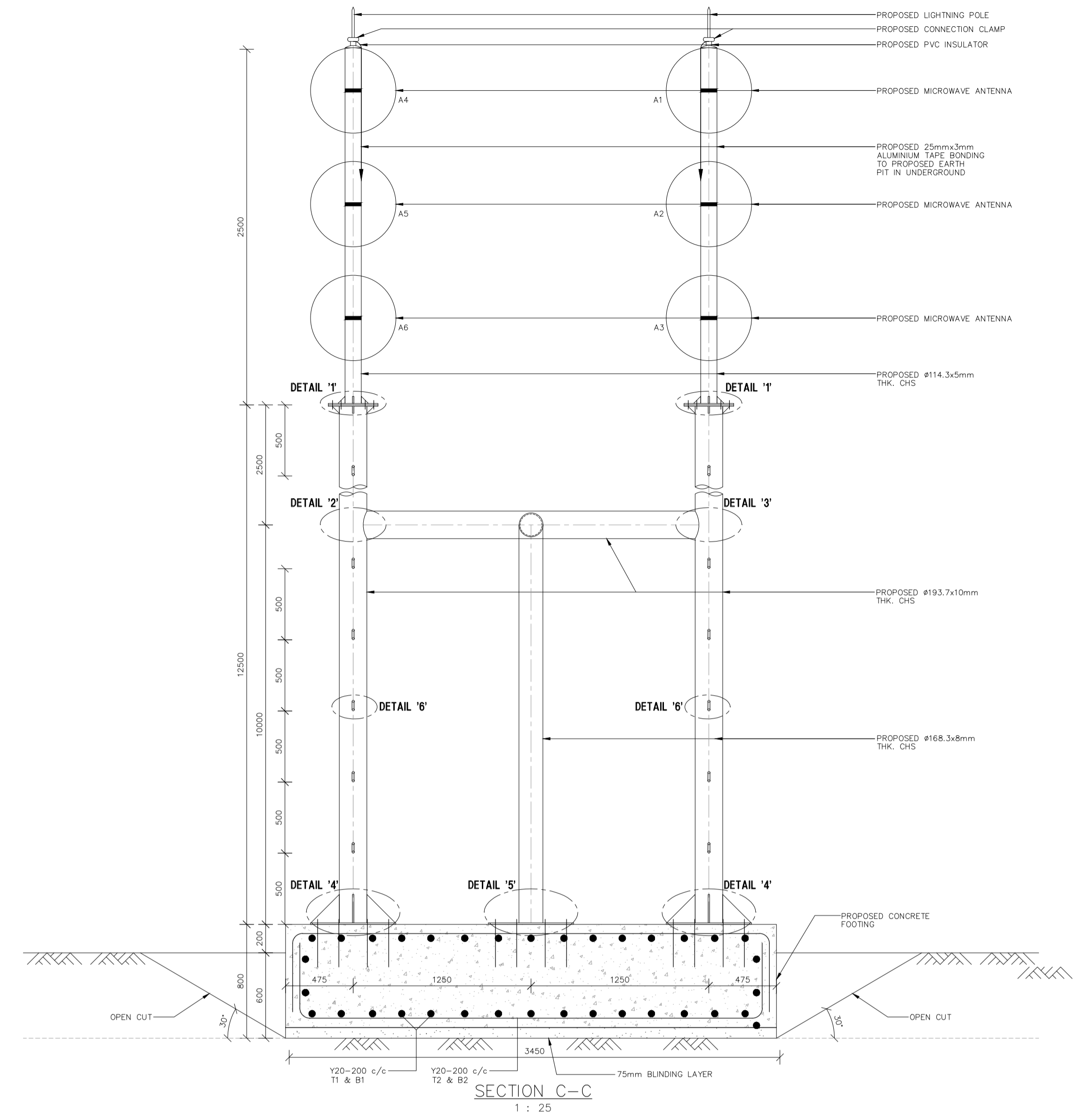
Radio Base Station



SECTION C-C

| REV | DESCRIPTION | DATE | BY | CHK'D | APP |
|---|----------------|---------------|-----------|-------|-----|
| 創域工程有限公司 JEG Engineering Co. Ltd. 1/F, Bk E, Cheong Fat Factory Bldg., 346 Fuk Wing St., Cheung Sha Wan, Kln. TEL : 2117 9500 FAX : 3103 8077 E-MAIL : jeg@jeg-ltd.com | | | | | |
| HGC 環電 GLOBAL COMMUNICATIONS | | | | | |
| PROJECT : SO LO PUN (APPLICATION FOR BLOCK LICENSE) | | | | | |
| DRAWING TITLE : DETAILS OF TRANSMISSION MICROWAVE ANTENNA | | | | | |
| SCALE AT A1 | DESIGNED : | DRAWN : | CHECKED : | | |
| AS SHOWN | A. CHAN | S.M. | G.C. | | |
| | APPROVED : | DATE | | | |
| | A. CHAN | 29 FEB., 2024 | | | |
| PROJECT No. | DRAWING No. : | REV. | | | |
| J8009 | S2693-1 | - | | | |

NOTES :
1. THIS DRAWING SHOULD BE READ IN CONJUNCTION WITH DRAWING S2693-1.
2. NOTES REFER TO DRAWING NO. S2693-1



| REV | DESCRIPTION | DATE | BY | CHK'D | APP |
|---|--------------------------|-------------------------|-------------------|-------|-----|
| 創域工程有限公司 JEG Engineering Co. Ltd. 1/F, Bk E, Cheong Fat Factory Bldg., 346 Fuk Wing St., Cheung Sha Wan, Kln. TEL : 2117 9500 FAX : 3103 8077 E-MAIL : jeg@jeg-ltd.com | | | | | |
| HGC 環電 GLOBAL COMMUNICATIONS | | | | | |
| PROJECT : SO LO PUN (APPLICATION FOR BLOCK LICENSE) | | | | | |
| DRAWING TITLE : DETAILS OF TRANSMISSION MICROWAVE ANTENNA | | | | | |
| SCALE AT A1 | DESIGNED : A. CHAN | DRAWN : S.M. | CHECKED : G.C. | | |
| AS SHOWN | APPROVED : A. CHAN | DATE : 29 FEB., 2024 | | | |
| PROJECT No. J8009 | DRAWING No. : S2693-2 | REV. : - | | | |



Photo 1: Showing the proposed antenna & equipment concrete footing location



R

R

AREA OF EXCAVATION
(ABOUT 24m² 0.6m DEPTH)

3450

700

3450

3450