

Urgent Return receipt Expand Group Restricted Prevent Copy Confidential

William Shu Tai WONG/PLAND

寄件者: Kelly Lo [REDACTED]
寄件日期: 2024年02月20日星期二 11:03
收件者: William Shu Tai WONG/PLAND
副本: Johnny Chung Yin LAM/PLAND; Katie Yuet Yee LEUNG/PLAND; Markie Wing Leuk AU/PLAND
主旨: Re: Planning Application (No. A/NE-TKLN/74) for Radio Base Station in Lin Ma Hang Border Road (further information)
附件: Scale plan (revised_20231213).pdf; Page 6 (revised_20231213).pdf
類別: Internet Email

Dear William,

Please find our reply on the departmental comments as below:

Departmental Comments (As at 12.12.2023)	CMHK's reply
Commissioner of Police	We understand your concern. The depth of excavation shall be revised to no more than 200mm. Please refer to the revised page 6 and the scale plan as attached for your handling.
Director-General of Communications	We understand your concern. Further supporting data was sent to your department via email dated 31/1/2024 for seeking comment. Your feedback is being awaited.

Thanks and regards,

[Kelly Lo](#)

Project Manager | Site Acquisition & Management

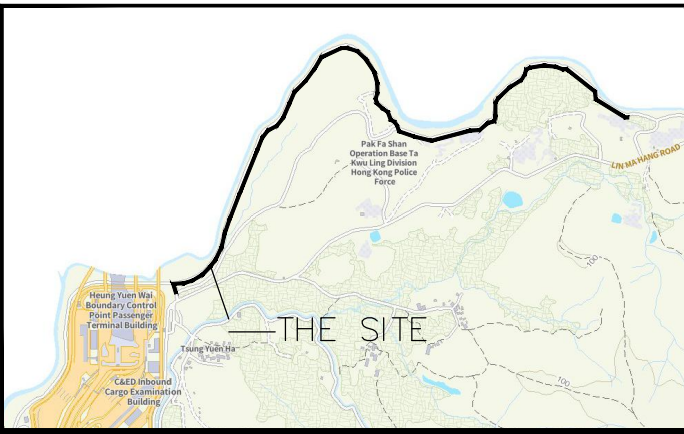
[China Mobile Hong Kong Company Limited](#)

[REDACTED]
M: +852 [REDACTED] | T: +852 [REDACTED] | E: [REDACTED]

www.hk.chinamobile.com



From: wst Wong@pland.gov.hk

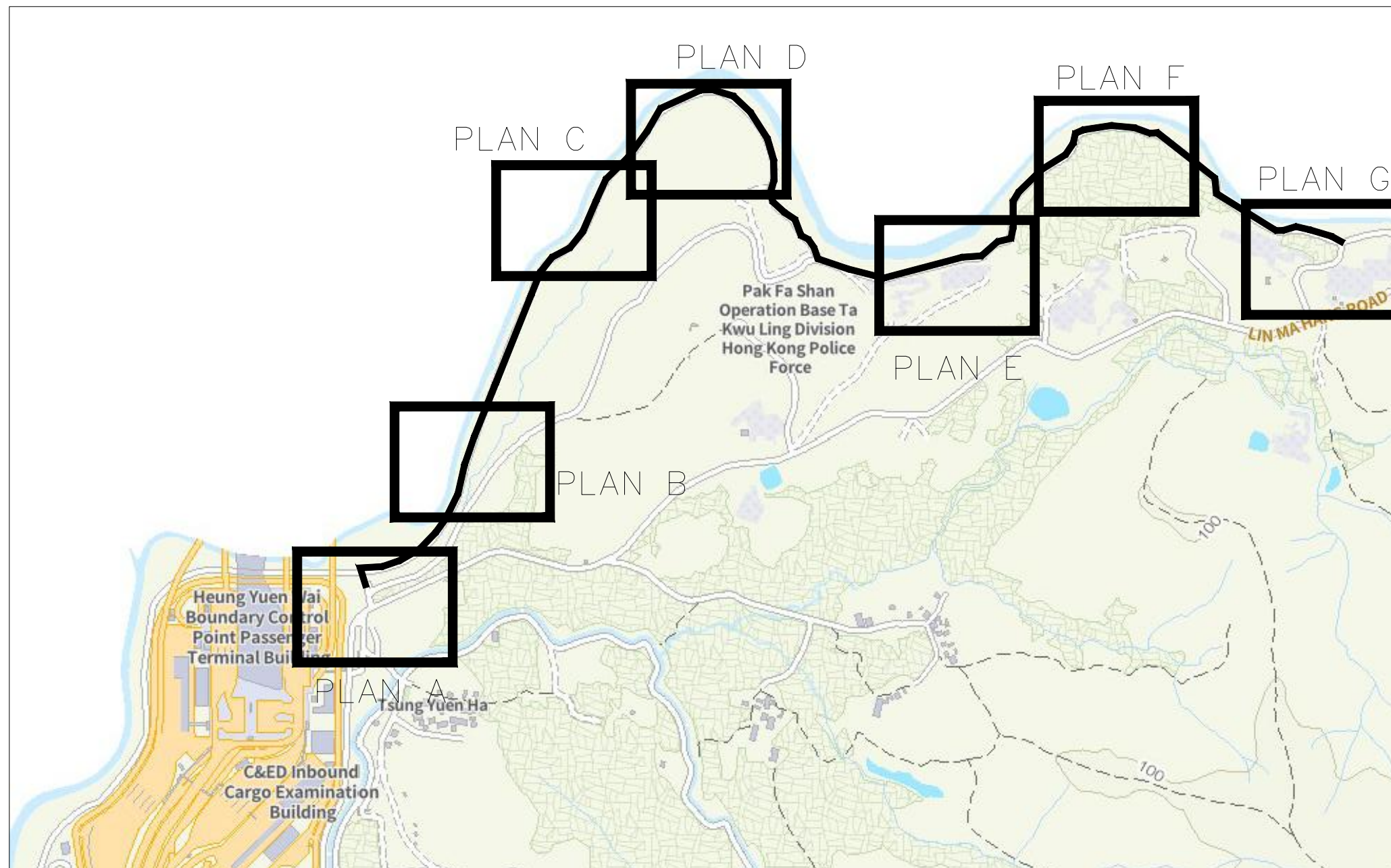
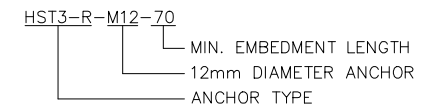


BLOCK PLAN
N.T.S.

30. THE NEW CONCRETE PLINTH SHOULD BE GRADE 30D/20.
31. BEFORE PROPRIETARY ANCHOR BOLTS TO BE INSTALLED AT FRESHLY CASTED CONCRETE PLINTH, THE CONTRACTOR SHOULD BE VERIFIED THE STRENGTH OF CONCRETE IS NOT LESS THAN 30MPa. SAMPLING OF CONCRETE AND COMPRESSION TESTING OF CONCRETE TEST CUBES SHOULD BE CARRIED OUT IN ACCORDANCE WITH THE METHODS SPECIFIED IN CS1:2010. TESTING SHOULD BE CARRIED OUT BY A LABORATORY ACCREDITED UNDER THE HOKLAS.
32. ALL PROPOSED ANCHOR BOLTS TO BE USED SHALL BE TESTED. SAMPLING RATE SHOULD BE AT LEAST 1% OR 5 NUMBERS, WHICHEVER IS MORE, OF EACH TYPE AND SIZE OF THE ANCHORS USED. EACH REPRESENTATIVE ANCHOR SHOULD BE TEST FOR TENSILE LOAD BY PULL OUT TEST AS APPROPRIATE TO DEMONSTRATE THAT ITS LOAD CARRYING CAPACITY IS NOT LESS THAN 1.5 TIMES THE RECOMMENDED LOAD AS SPECIFIED BY THE ANCHOR MANUFACTURER AND TO CLAUSE 15.31 OF THE GENERAL SPECIFICATION OF BUILDING 2022.
33. NON-DESTRUCTIVE TESTS SHOULD BE CARRIED OUT FOR WELDING COMPLIED WITH CLAUSE 15.58 AND TABLE 15.6 OF THE GENERAL SPECIFICATION OF BUILDING 2022.
34. ALL STRUCTURAL STEEL SHALL BE ACCOMPANIED WITH MILL CERTIFICATE THAT CHEMICAL COMPOSITION AND MECHANICAL PROPERTIES APPROPRIATE TO THE CLASS AND GRADE AND PRODUCED FROM A MANUFACTURER WITH AN ACCEPTABLE QUALITY ASSURANCE SYSTEM.
23. ADEQUATE EARTHING PROTECTION SHALL BE PROVIDED.
24. ALL ELECTRICAL WORK SHALL COMPLY WITH THE CURRENT COP, IEE AND POWER COMPANY REGULATION.
25. POWER SUPPLY SHOULD BE 2x60A SINGLE PHASE METER.
26. NAME PLATE SHOULD BE PROVIDED ON ALL PROPOSED EQUIPMENT CABINET, COAXIAL CABLES, CONDUITS AND FACILITIES FOR EASY IDENTIFICATION.
27. THE EXTERNAL OUTLOOK OF THE ADDITIONAL WORKS SHALL MATCH WITH THE COLOUR SCHEME OF THE PARENT BUILDING.
28. BEFORE THE DRILLING OPENING, SHALL BE USED A COVER METER TO LOCATE THE EXISTING REINFORCEMENT AND AVOID DAMAGING OF EXISTING STEEL BARS.
29. ALL EXISTING FIRE SERVICES EQUIPMENT OR INSTALLATION SHOULD BE REMAIN UNCHANGED.
14. ADDITIONAL PLASTIC SHEET WASHER SHOULD BE PROVIDED BETWEEN S.S. BOLT & GMS STEEL.
15. ALL PLASTER TO BE 25mm THICK CEMENT : SAND = 1 : 3.
16. ALL METAL SURFACE SHALL BE CLEANED THOROUGHLY TO REMOVE ALL DIRT, WELD SPLATTER, GREASE AND THE LIKE. CHIP, SCRAPE AND WIRE-BRUSH TO REMOVE LOOSE SCALE UNTIL BACK TO CLEAN METAL. REMOVE SURFACE FILE OF MILL AND BRUSH WITH DETERGENTS.
17. CHIP OFF THE PLASTER FROM THE FACE OF THE R.C. MEMBERS TO BE IN CONTACT WITH THE STEEL MEMBERS BEFORE INSTALLING.
18. CABLE PASSING THROUGH OPENING OF WALL OR FLOOR SLAB SHALL BE RUN INSIDE G.I. PIPE SLEEVE.
19. THE VOID BETWEEN OF CABLE WITH SLEEVE SHALL BE CHOKED WITH HILTI CP601S AND COMPLY WITH CODE OF PRACTICE FOR FIRE SAFETY IN BUILDING 2011 CLAUSE C8.2 TO C8.5.
20. ALL WELDING TO BE 5mm FILLET WELD ALL ROUND UNLESS OTHERWISE STATED.
21. ROUTING SHOULD BE ADJUSTED ON SITE TO AVOID CROSSING ON EXISTING SERVICE DUCTS. ALL CONDUIT SHALL BE IN G.I.
22. ALL OPENING ON EXISTING STRUCTURE SHOULD BE FORMED BY LIGHT HAND TOOLS, NO CORE DRILLING SHOULD BE USED TO PREVENT DAMAGE TO EXISTING REINFORCEMENT.

GENERAL NOTES :

1. THIS DRAWING SHOULD BE READ IN CONJUNCTION WITH DRAWING S2984-2 TO S2984-10.
2. ALL DIMENSIONS SHOWN ARE IN mm.
3. EXACT DIMENSIONS TO BE VERIFIED ON SITE.
4. ALL NEW STRUCTURAL STEEL WORK CHECKING COMPLY WITH THE CODE OF PRACTICE FOR THE STRUCTURAL USE OF STEEL 2011.
5. ALL WORKS SHALL COMPLY WITH GENERAL SPECIFICATION FOR BUILDING 2022.
6. ALL STRUCTURAL STEEL SHALL BE CLASS 1 OF GRADE S275JO MINIMUM TO BS EN 10025 PART 1-6 : 2004 STANDARD OR EQUIVALENT COMPLY WITH THE RELEVANT REFERENCE MATERIAL STANDARDS IN ANNEX A1.1 OF THE CODE OF PRACTICE FOR THE STRUCTURAL USE OF STEEL 2011.
7. ALL HOT FINISHED STRUCTURAL HOLLOW SECTIONS SHOULD COMPLY WITH BS EN 10210 PART 1:2006
8. ALL STRUCTURAL STEEL SHALL BE HOT-DIP GALVANIZED TO A COATING OF 85 MICRONS THICK AND TWO COATS OF ZINC RICH PRIMER SHALL BE APPLIED AFTER WELDING CONNECTION TO BS EN ISO 1461:2009.
9. ALL STAINLESS STEEL BOLT/STUD/NUT TO BE GRADE A4-70 COMPLY WITH BS EN ISO 3506 PART 1 & 2: 2009 (Psb=280N/mm², Ptb=450N/mm².)
10. ALL WELDING SHALL BE IN ACCORDANCE WITH REQUIREMENT AS PER BS EN 1011 PART 1:2009 & PART 2:2001 (MIN. STRENGTH=220N/mm².)
11. THE DESIGN AND CONSTRUCTION OF THE PROPOSED WORK SHALL COMPLY WITH THE BUILDINGS ORDINANCE, BUILDING REGULATIONS AND FIRE SAFETY IN BUILDINGS 2011.
12. ALL HILTI ANCHOR BOLTS SHALL BE INSTALLED IN ACCORDANCE WITH THE MANUFACTURER'S SPECIFICATION.
13. UNLESS OTHERWISE STATED, ALL ANCHOR BOLTS ARE HILTI TYPE AS SPECIFIED BELOW:



KEY PLAN
1:10000

REV	DESCRIPTION	DATE	BY	CHK'D	APP
-----	-------------	------	----	-------	-----

創域工程有限公司
JEG Engineering Co. Ltd.



CHINA MOBILE HONG KONG COMPANY LIMITED

PROJECT :
BTS SITE
GATE 42, GATE 48
& GATE 53A,
LIN MA HANG ROAD,
WANG LEK, N.T.
(SITE CODE: 9306 & 9307)

DRAWING TITLE :
DETAILS OF TRANSMISSION EQUIPMENT FIXING

SCALE AT A1	DESIGNED : E. WONG	DRAWN : SHEN	CHECKED : G.C.
AS SHOWN	APPROVED : E. WONG	DATE : 5 JUN., 2022	

PROJECT No. J8001	DRAWING No. : S2984-1	REV. -
-----------------------------	--------------------------	-----------

THIS DRAWING & DESIGN ARE COPYRIGHT RESERVED. NO ONE MAY REPRODUCE WITHOUT THE WRITTEN PERMISSION OF THE JEG ENG. CO. LTD.

EQUIPMENT SCHEDULE

EQUIPMENT UNIT NO.	E1	E2	E3
EQUIPMENT TYPE	1 NO. S.S. CABINET, 2 NOS. DEU04 & 1 NO. RRU	1 NO. S.S. CABINET, 1 NOS. RRU & 1 NO. OPM40	1 NO. S.S. CABINET, 2 NOS. DEU04 & 1 NO. RRU

ANCHOR SCHEDULE

ANCHOR TYPE	RECOMMENDED LOAD,S	TEST LOAD,S x 1.5	EFFECTIVE ANCHORAGE DEPTH (mm)	MIN. BASE MATERIAL THICKNESS (mm)	SPACING (mm)	EDGE DISTANCE (mm)	BD REF
	TENSION (kN)	TENSION (kN)					
HST3-R-M8-47	2.8	4.2	47	100	35	40	BD-AF 151

LEGEND

- E1 PROPOSED EQUIPMENT UNIT E1 LOCATION
- PROPOSED 1-5/8 LEAKY CABLE
- PROPOSED ø50mm(MAX.) G.I. CONDUIT FOR POWER CABLE
- PROPOSED ø50mm(MAX.) G.I. CONDUIT FOR TELEPHONE WIRE
- PHOTO MARK (PHOTO REFER TO REPORT FOR INFORMATION ONLY)

MARK SCHEDULE

BEAM MARK	DESCRIPTION
C1 - C2	50x50x5mm THK. ∇
C3	70x70x6mm THK. ∇
B1 - B2	60x60x5mm THK. RHS

GENERAL NOTES :

1. THIS DRAWING SHOULD BE READ IN CONJUNCTION WITH DRAWING NO. S2984-1 & S2984-3 TO S2984-10.
2. NOTES REFER TO DRAWING NO. S2984-1.

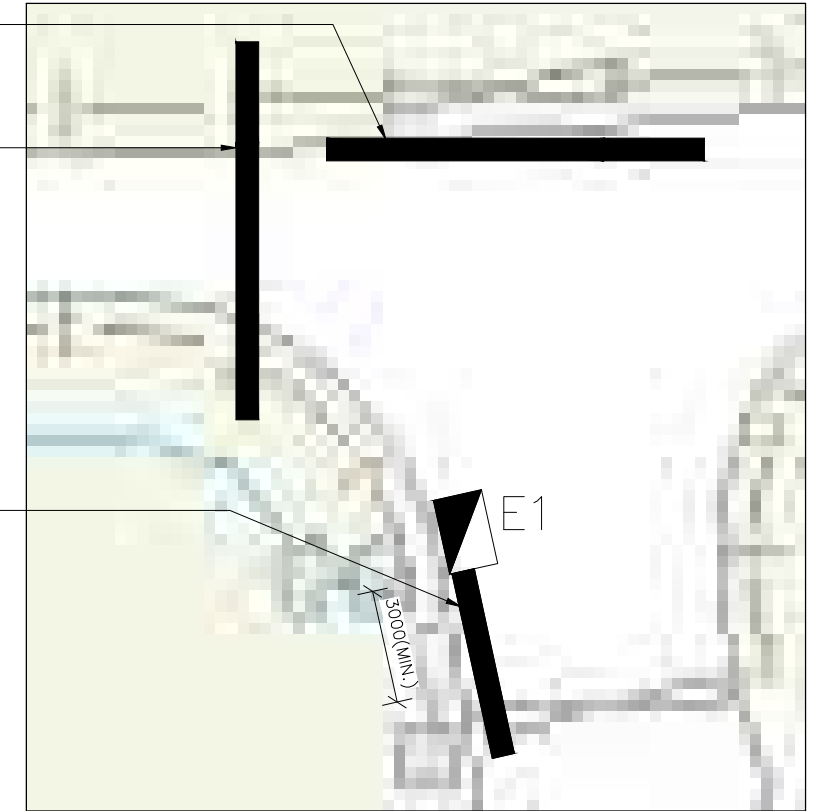


PLAN A
1:1200

①600(W)x200(D)x10000(L)mm=1.2m²

②600(W)x200(D)x10000(L)mm=1.2m²

③600(W)x200(D)x5000(L)mm=0.6m²



PLAN A1
1:200

PROPOSED FIBER CABLE & LEAKY CABLE WITH CABLE TRAY MOUNTED ON CONCRETE PLINTH LAID ON FLOOR

PROPOSED FIBER CABLE & LEAKY CABLE MOUNTED ON UNDERGROUND THROUGH GATE 53

③600(W)x200(D)x5000(L)mm=0.6m²

THROUGH GATE 53A

PROPOSED POWER & FIBER CABLE WITH CABLE TRAY MOUNTED ON CONCRETE PLINTH LAID ON FLOOR

CLP POWER CABLE & FIBER CABLE TEL CABLE ROUTING TBC

REV	DESCRIPTION	DATE	BY	CHK'D	APP

創域工程有限公司
JEG Engineering Co. Ltd.



CHINA MOBILE
HONG KONG
COMPANY LIMITED

PROJECT :
BTS SITE
GATE 42, GATE 48
& GATE 53A,
LIN MA HANG ROAD,
WANG LEK, N.T.
(SITE CODE: 9306 & 9307)

DRAWING TITLE :
DETAILS OF TRANSMISSION
EQUIPMENT FIXING

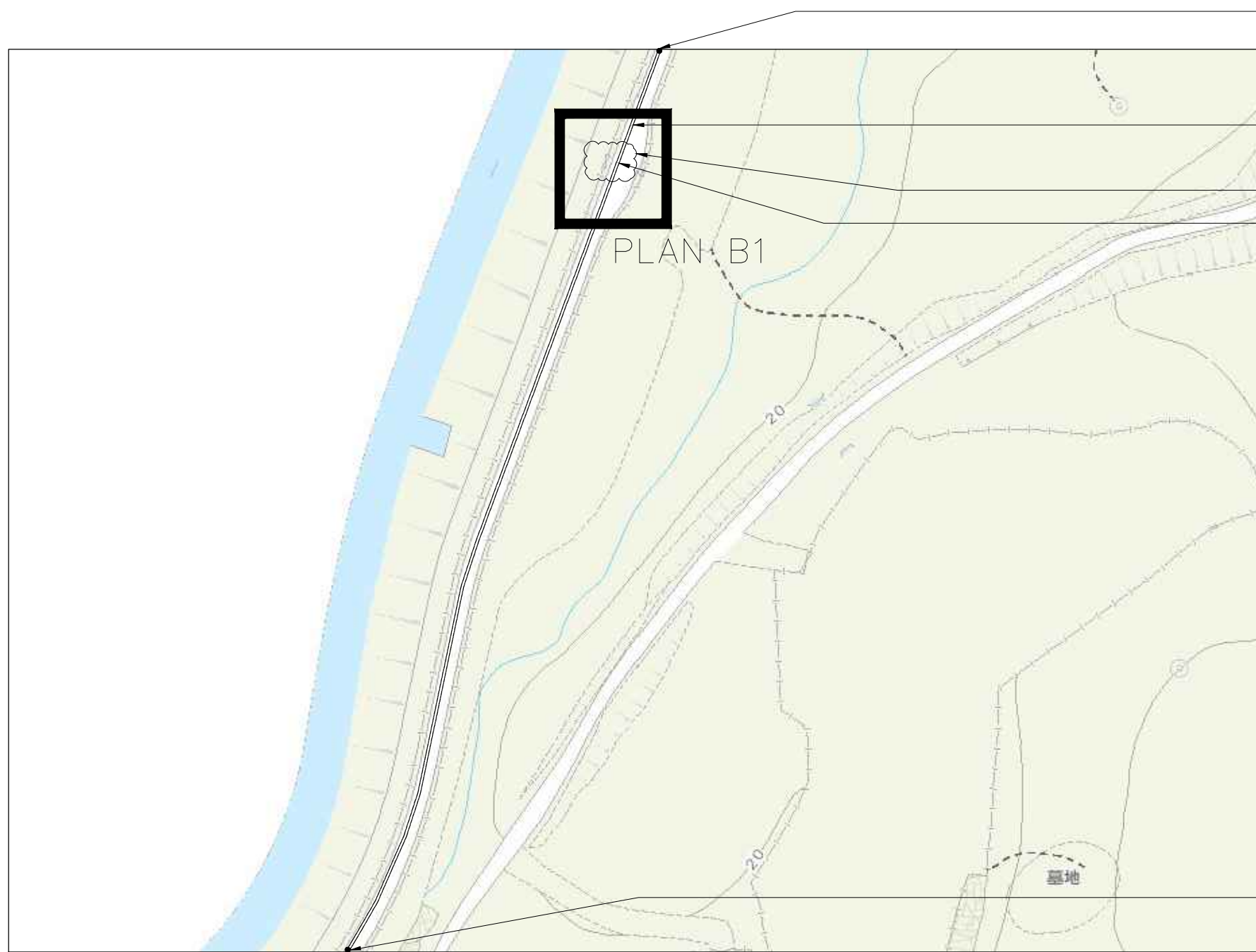
SCALE AT A1 AS SHOWN	DESIGNED : E. WONG	DRAWN : SHEN	CHECKED : G.C.
PROJECT No. J8001	APPROVED : E. WONG	DATE : 5 JUN., 2022	REV. -

DRAWING No. : S2984-2	REV. -
---------------------------------	-----------

THIS DRAWING & DESIGN ARE COPYRIGHT RESERVED. NO ONE MAY REPRODUCE WITHOUT THE WRITTEN PERMISSION OF THE JEG ENG. CO. LTD.

GENERAL NOTES :

1. THIS DRAWING SHOULD BE READ IN CONJUNCTION WITH DRAWING NO. S2984-1, S2984-2 & S2984-4 TO S2984-10.
2. NOTES REFER TO DRAWING NO. S2984-1.



PLAN B
1:1200

PROPOSED FIBER CABLE & LEAKY CABLE WITH CABLE TRAY MOUNTED ON CONCRETE PLINTH LAID ON FLOOR FROM PLAN B TO PLAN C

PROPOSED FIBER CABLE & LEAKY CABLE WITH CABLE TRAY MOUNTED ON WALL AT MIDDLE LEVEL

⊙600(W)×200(D)×10000(L)mm=1.2m²

PROPOSED FIBER CABLE & LEAKY CABLE MOUNTED ON UNDERGROUND THROUGH GATE 52D

PROPOSED FIBER CABLE & LEAKY CABLE WITH CABLE TRAY MOUNTED ON CONCRETE PLINTH LAID ON FLOOR FROM PLAN A TO PLAN B



PLAN B1
1:200

REV	DESCRIPTION	DATE	BY	CHK'D	APP
-----	-------------	------	----	-------	-----

創域工程有限公司
JEG Engineering Co. Ltd.



CHINA MOBILE
HONG KONG
COMPANY LIMITED

PROJECT :
BTS SITE
GATE 42, GATE 48
& GATE 53A,
LIN MA HANG ROAD,
WANG LEK, N.T.
(SITE CODE: 9306 & 9307)

DRAWING TITLE :
DETAILS OF TRANSMISSION
EQUIPMENT FIXING

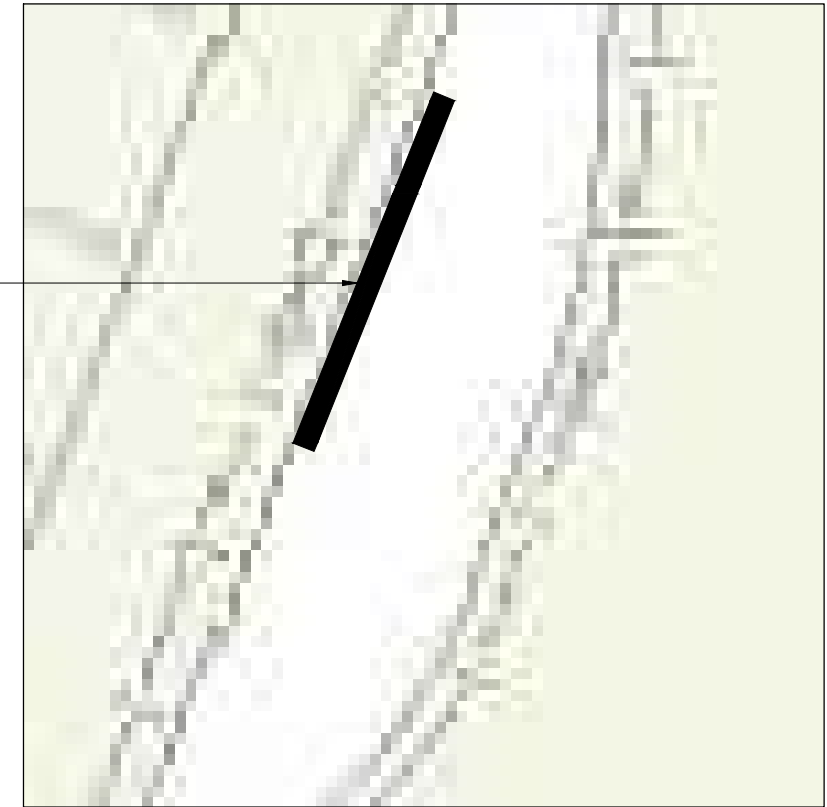
SCALE AT A1 AS SHOWN	DESIGNED : E. WONG	DRAWN : SHEN	CHECKED : G.C.
	APPROVED : E. WONG	DATE : 5 JUN., 2022	

PROJECT No. J8001	DRAWING No. : S2984-3	REV. -
-----------------------------	--------------------------	-----------

THIS DRAWING & DESIGN ARE COPYRIGHT RESERVED. NO ONE MAY REPRODUCE WITHOUT THE WRITTEN PERMISSION OF THE JEG ENG. CO. LTD.

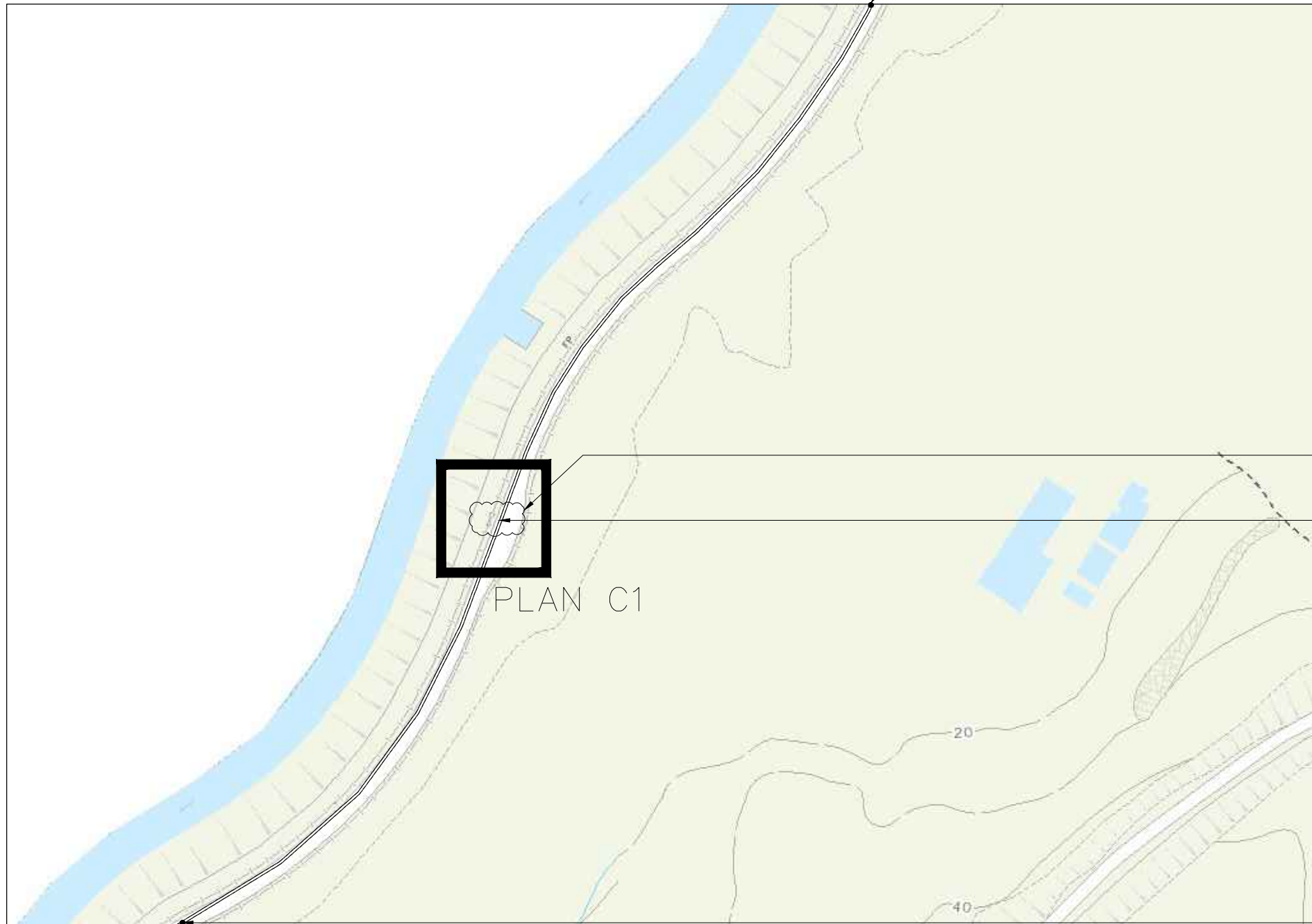
GENERAL NOTES :

1. THIS DRAWING SHOULD BE READ IN CONJUNCTION WITH DRAWING NO. S2984-1 TO S2984-3 & S2984-5 TO S2984-10.
2. NOTES REFER TO DRAWING NO. S2984-1.



⊙ 600(W)x200(D)x10000(L)mm=1.2m³

PROPOSED FIBER CABLE & LEAKY CABLE WITH CABLE TRAY MOUNTED ON CONCRETE PLINTH LAID ON FLOOR FROM PLAN C TO PLAN D



PLAN C1

⊙ 600(W)x200(D)x10000(L)mm=1.2m³

PROPOSED FIBER CABLE & LEAKY CABLE MOUNTED ON UNDERGROUND THROUGH GATE 52

PLAN C

1:1200

PROPOSED FIBER CABLE & LEAKY CABLE WITH CABLE TRAY MOUNTED ON CONCRETE PLINTH LAID ON FLOOR FROM PLAN B TO PLAN C

PLAN C1

1:200

REV	DESCRIPTION	DATE	BY	CHK'D	APP
-----	-------------	------	----	-------	-----

創域工程有限公司
JEG Engineering Co. Ltd.



CHINA MOBILE HONG KONG COMPANY LIMITED

PROJECT :

BTS SITE
GATE 42, GATE 48
& GATE 53A,
LIN MA HANG ROAD,
WANG LEK, N.T.
(SITE CODE: 9306 & 9307)

DRAWING TITLE :

DETAILS OF TRANSMISSION EQUIPMENT FIXING

SCALE AT A1 AS SHOWN	DESIGNED : E. WONG	DRAWN : SHEN	CHECKED : G.C.
	APPROVED : E. WONG	DATE : 5 JUN., 2022	

PROJECT No. J8001	DRAWING No. : S2984-4	REV. -
-----------------------------	--------------------------	-----------

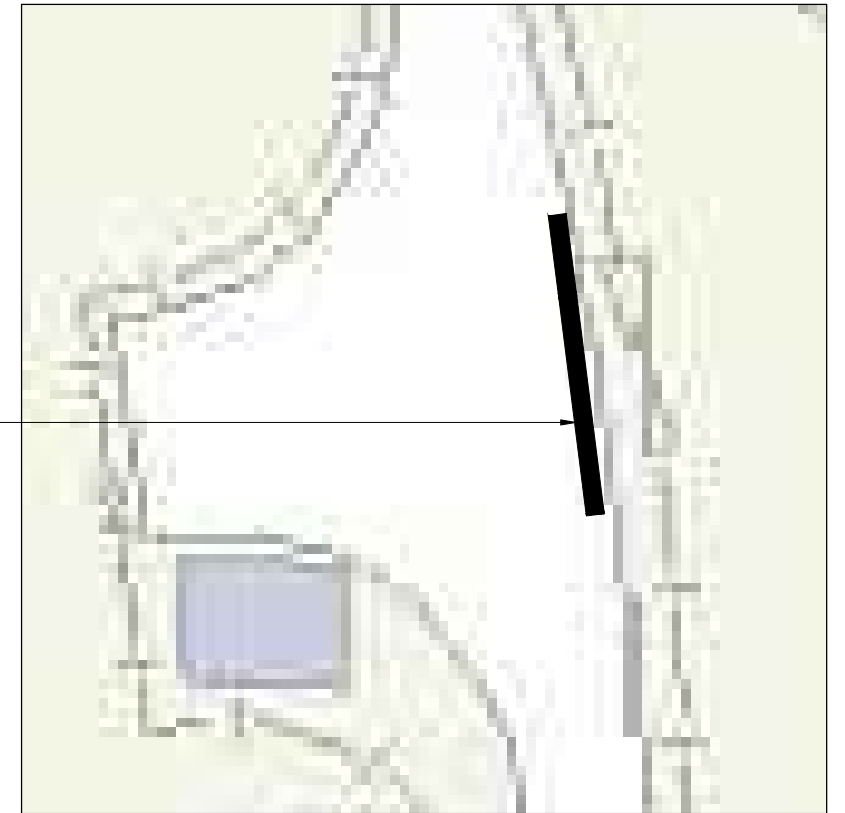
THIS DRAWING & DESIGN ARE COPYRIGHT RESERVED. NO ONE MAY REPRODUCE WITHOUT THE WRITTEN PERMISSION OF THE JEG ENG. CO. LTD.

GENERAL NOTES :

1. THIS DRAWING SHOULD BE READ IN CONJUNCTION WITH DRAWING NO. S2984-1 TO S2984-4 & S2984-6 TO S2984-10.
2. NOTES REFER TO DRAWING NO. S2984-1.



⊙ 600(W)x200(D)x10000(L)mm=1.2m³



⊙ 600(W)x200(D)x10000(L)mm=1.2m³

PLAN D1
1:250

PLAN D2
1:250

⊙ 600(W)x200(D)x10000(L)mm=1.2m³

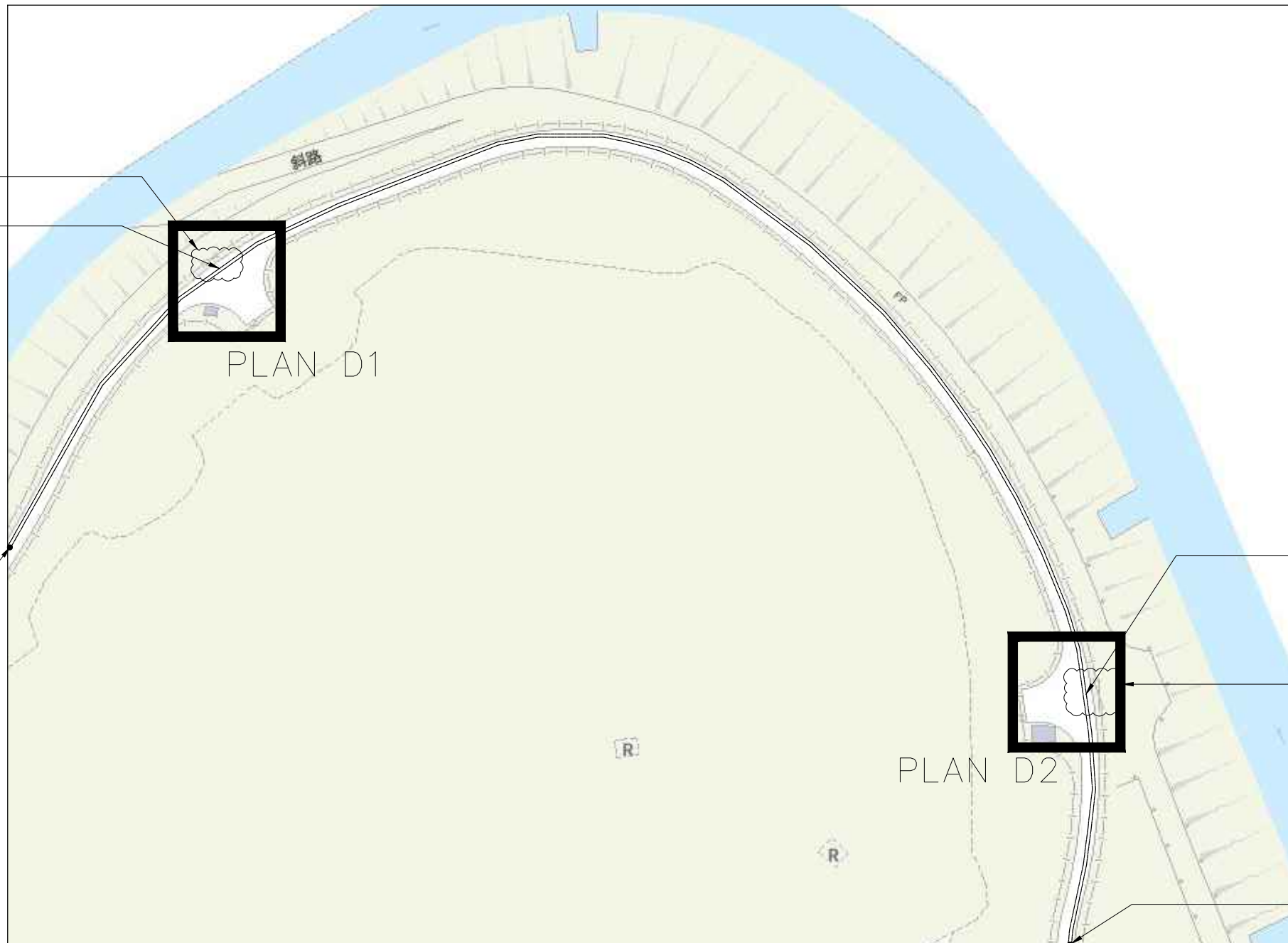
PROPOSED FIBER CABLE & LEAKY CABLE MOUNTED ON UNDERGROUND THROUGH GATE 51D

PROPOSED FIBER CABLE & LEAKY CABLE WITH CABLE TRAY MOUNTED ON CONCRETE PLINTH LAID ON FLOOR FROM PLAN C TO PLAN D

PROPOSED FIBER CABLE & LEAKY CABLE MOUNTED ON UNDERGROUND THROUGH GATE 51B

⊙ 600(W)x200(D)x10000(L)mm=1.2m³

PROPOSED FIBER CABLE & LEAKY CABLE WITH CABLE TRAY MOUNTED ON CONCRETE PLINTH LAID ON FLOOR FROM PLAN D TO PLAN E



PLAN D1

PLAN D2

PLAN D
1:1200

REV	DESCRIPTION	DATE	BY	CHK'D	APP
-----	-------------	------	----	-------	-----

創域工程有限公司
JEG Engineering Co. Ltd.



CHINA MOBILE HONG KONG COMPANY LIMITED

PROJECT :

BTS SITE
GATE 42, GATE 48
& GATE 53A,
LIN MA HANG ROAD,
WANG LEK, N.T.
(SITE CODE: 9306 & 9307)

DRAWING TITLE :

DETAILS OF TRANSMISSION EQUIPMENT FIXING

SCALE AT A1 AS SHOWN	DESIGNED : E. WONG	DRAWN : SHEN	CHECKED : G.C.
	APPROVED : E. WONG	DATE : 5 JUN., 2022	

PROJECT No. J8001	DRAWING No. : S2984-5	REV. -
-----------------------------	--------------------------	-----------

THIS DRAWING & DESIGN ARE COPYRIGHT RESERVED. NO ONE MAY REPRODUCE WITHOUT THE WRITTEN PERMISSION OF THE JEG ENG. CO. LTD.

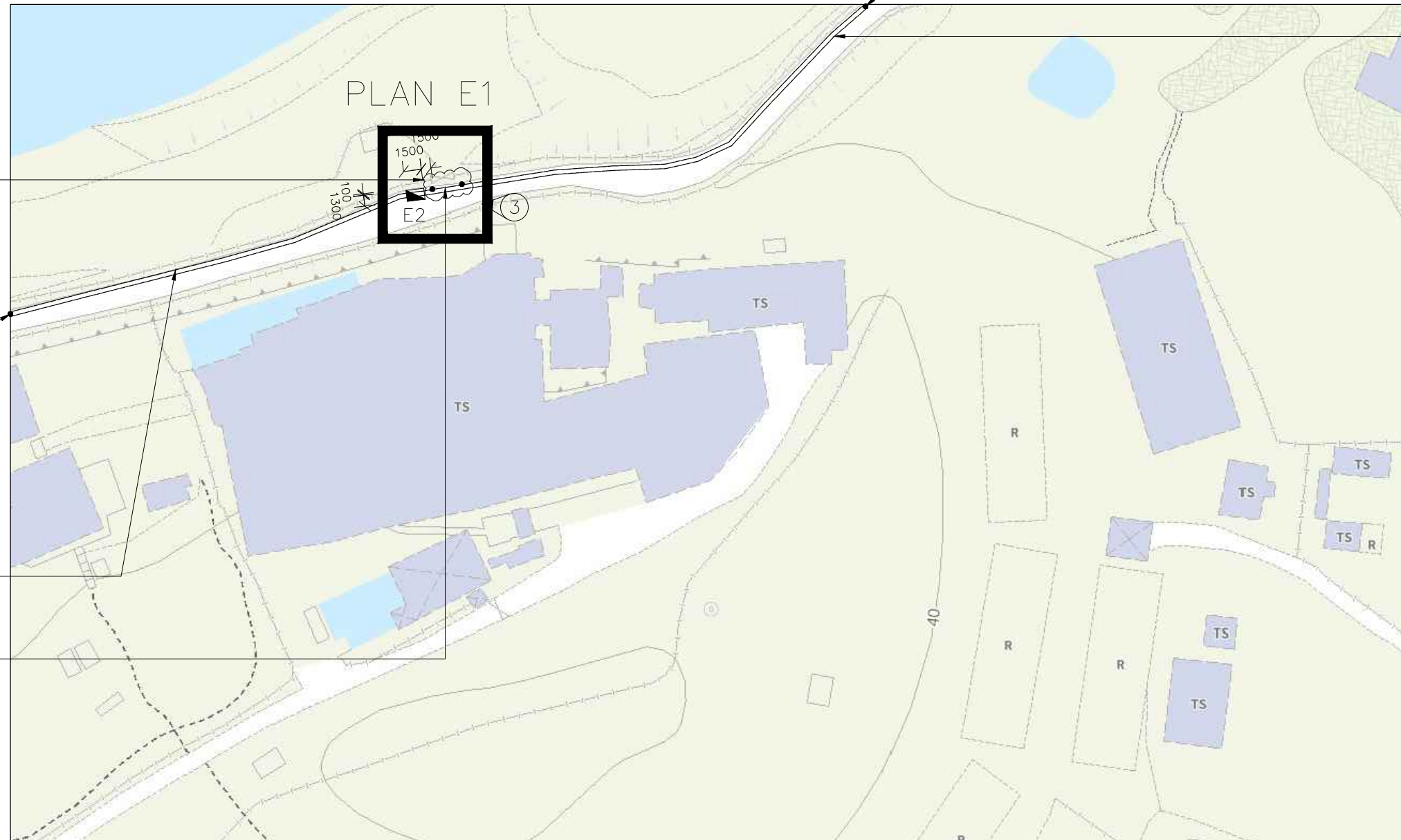
GENERAL NOTES :

1. THIS DRAWING SHOULD BE READ IN CONJUNCTION WITH DRAWING NO. S2984-1 TO S2984-5 & S2984-7 TO S2984-10.
2. NOTES REFER TO DRAWING NO. S2984-1.



⊙ 600(W)x200(D)x10000(L)mm=1.2m³

PLAN E1
1:200



PLAN E
1:800

PROPOSED FIBER CABLE & LEAKY CABLE WITH CABLE TRAY MOUNTED ON CONCRETE PLINTH LAID ON FLOOR FROM PLAN E TO PLAN F

PROPOSED FIBER CABLE & LEAKY CABLE WITH CABLE TRAY MOUNTED ON WALL AT MIDDLE LEVEL

⊙ 600(W)x200(D)x10000(L)mm=1.2m³

PROPOSED FIBER CABLE & LEAKY CABLE WITH CABLE TRAY MOUNTED ON CONCRETE PLINTH LAID ON FLOOR FROM PLAN D TO PLAN E

PROPOSED FIBER CABLE & LEAKY CABLE WITH CABLE TRAY MOUNTED ON WALL AT MIDDLE LEVEL

PROPOSED FIBER CABLE & LEAKY CABLE MOUNTED ON UNDERGROUND THROUGH GATE 48

REV	DESCRIPTION	DATE	BY	CHK'D	APP
-----	-------------	------	----	-------	-----

創域工程有限公司
JEG Engineering Co. Ltd.



CHINA MOBILE
HONG KONG
COMPANY LIMITED

PROJECT :

BTS SITE
GATE 42, GATE 48
& GATE 53A,
LIN MA HANG ROAD,
WANG LEK, N.T.
(SITE CODE: 9306 & 9307)

DRAWING TITLE :

DETAILS OF TRANSMISSION
EQUIPMENT FIXING

SCALE AT A1 AS SHOWN	DESIGNED : E. WONG	DRAWN : SHEN	CHECKED : G.C.
	APPROVED : E. WONG	DATE : 5 JUN., 2022	

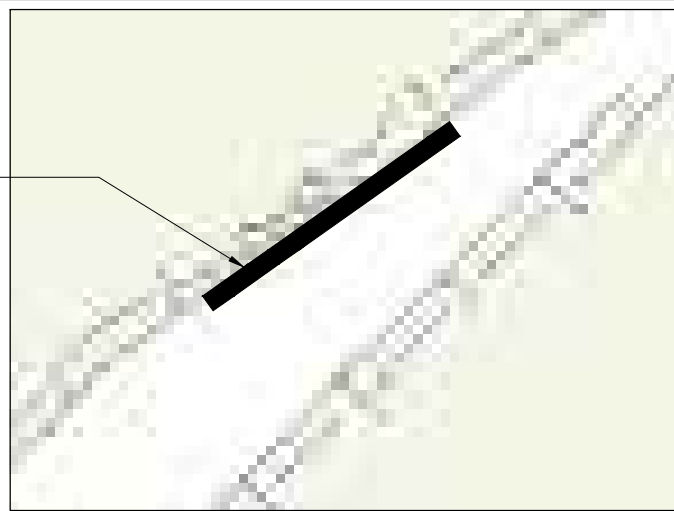
PROJECT No. J8001	DRAWING No. : S2984-6	REV. -
-----------------------------	--------------------------	-----------

THIS DRAWING & DESIGN ARE COPYRIGHT RESERVED. NO ONE MAY REPRODUCE WITHOUT THE WRITTEN PERMISSION OF THE JEG ENG. CO. LTD.

GENERAL NOTES :

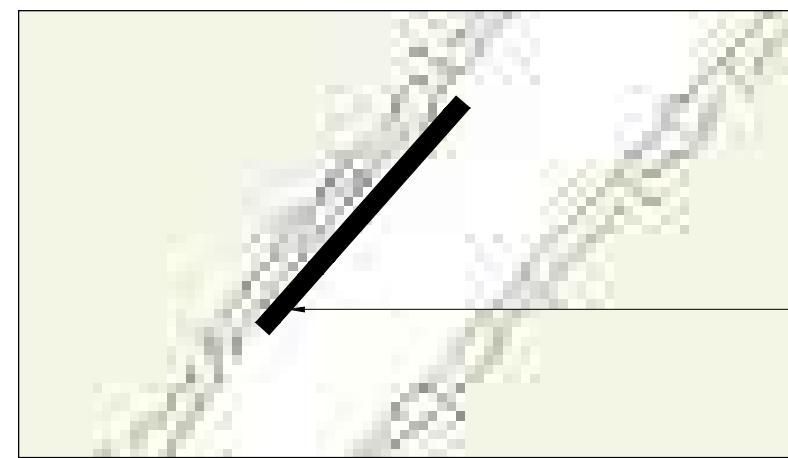
1. THIS DRAWING SHOULD BE READ IN CONJUNCTION WITH DRAWING NO. S2984-1 TO S2984-6 & S2984-8 TO S2984-10.
2. NOTES REFER TO DRAWING NO. S2984-1.

⊙600(W)x200(D)x10000(L)mm=1.2m³



PLAN F1

1:250

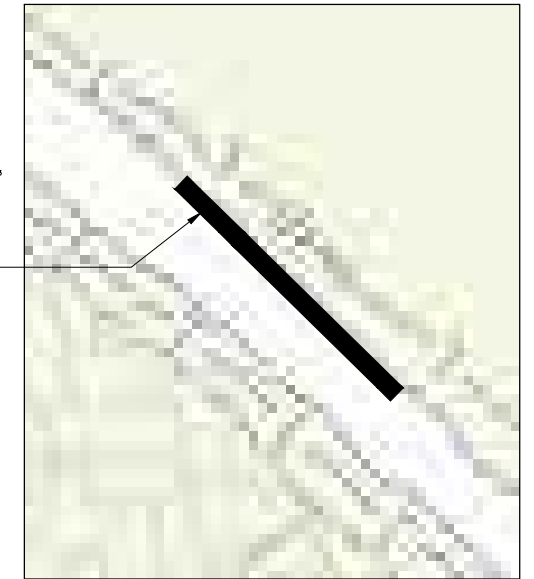


PLAN F2

1:250

⊙600(W)x200(D)x10000(L)mm=1.2m³

⊙600(W)x200(D)x10000(L)mm=1.2m³



PLAN F3

1:250

PROPOSED FIBER CABLE & LEAKY CABLE MOUNTED ON UNDERGROUND THROUGH GATE 46C

⊙600(W)x200(D)x10000(L)mm=1.2m³

PROPOSED FIBER CABLE & LEAKY CABLE MOUNTED ON UNDERGROUND THROUGH GATE 46B

⊙600(W)x200(D)x10000(L)mm=1.2m³

PROPOSED FIBER CABLE & LEAKY CABLE WITH CABLE TRAY MOUNTED ON WALL AT MIDDLE LEVEL

⊙600(W)x200(D)x10000(L)mm=1.2m³

PROPOSED FIBER CABLE & LEAKY CABLE MOUNTED ON UNDERGROUND THROUGH GATE 45A



PLAN F

1:1200

PROPOSED FIBER CABLE & LEAKY CABLE WITH CABLE TRAY MOUNTED ON CONCRETE PLINTH LAID ON FLOOR FROM PLAN E TO PLAN F

PROPOSED FIBER CABLE & LEAKY CABLE WITH CABLE TRAY MOUNTED ON CONCRETE PLINTH LAID ON FLOOR FROM PLAN E TO PLAN F

REV	DESCRIPTION	DATE	BY	CHK'D	APP
-----	-------------	------	----	-------	-----

創域工程有限公司
JEG Engineering Co. Ltd.



CHINA MOBILE
HONG KONG
COMPANY LIMITED

PROJECT :
BTS SITE
GATE 42, GATE 48
& GATE 53A,
LIN MA HANG ROAD,
WANG LEK, N.T.
(SITE CODE: 9306 & 9307)

DRAWING TITLE :
DETAILS OF TRANSMISSION
EQUIPMENT FIXING

SCALE AT A1 AS SHOWN	DESIGNED : E. WONG	DRAWN : SHEN	CHECKED : G.C.
	APPROVED : E. WONG	DATE : 5 JUN., 2022	

PROJECT No. J8001	DRAWING No. : S2984-7	REV. -
-----------------------------	--------------------------	-----------

THIS DRAWING & DESIGN ARE COPYRIGHT RESERVED. NO ONE MAY REPRODUCE WITHOUT THE WRITTEN PERMISSION OF THE JEG ENG. CO. LTD.

GENERAL NOTES :

1. THIS DRAWING SHOULD BE READ IN CONJUNCTION WITH DRAWING NO. S2984-1 TO S2984-7 & S2984-9 TO S2984-10.
2. NOTES REFER TO DRAWING NO. S2984-1.

② 600(W)x200(D)x10000(L)mm=1.2m³

PROPOSED FIBER CABLE & LEAKY CABLE WITH CABLE TRAY MOUNTED ON CONCRETE PLINTH LAID ON FLOOR

PROPOSED FIBER CABLE & LEAKY CABLE WITH CABLE TRAY MOUNTED ON CONCRETE PLINTH LAID ON FLOOR FROM PLAN F TO PLAN G

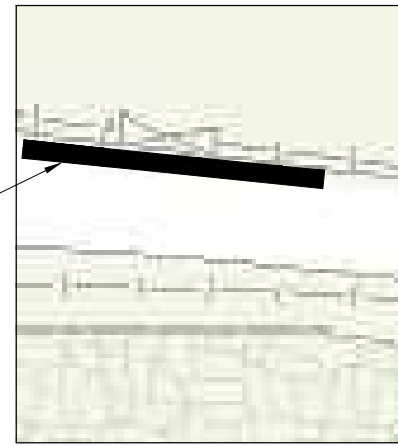
② 600(W)x200(D)x10000(L)mm=1.2m³

PROPOSED FIBER CABLE & LEAKY CABLE MOUNTED ON UNDERGROUND THROUGH GATE 42A

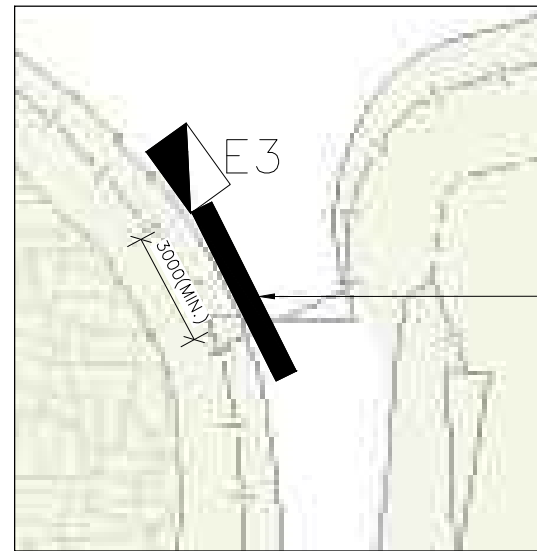
PROPOSED FIBER CABLE & LEAKY CABLE WITH CABLE TRAY MOUNTED ON CONCRETE PLINTH LAID ON FLOOR

PROPOSED POWER & FIBER CABLE WITH CABLE TRAY RUN INSIDE EX.

PROPOSED POWER & FIBER CABLE WITH CABLE TRAY MOUNTED ON CONCRETE PLINTH LAID ON FLOOR



PLAN G1
1: 250



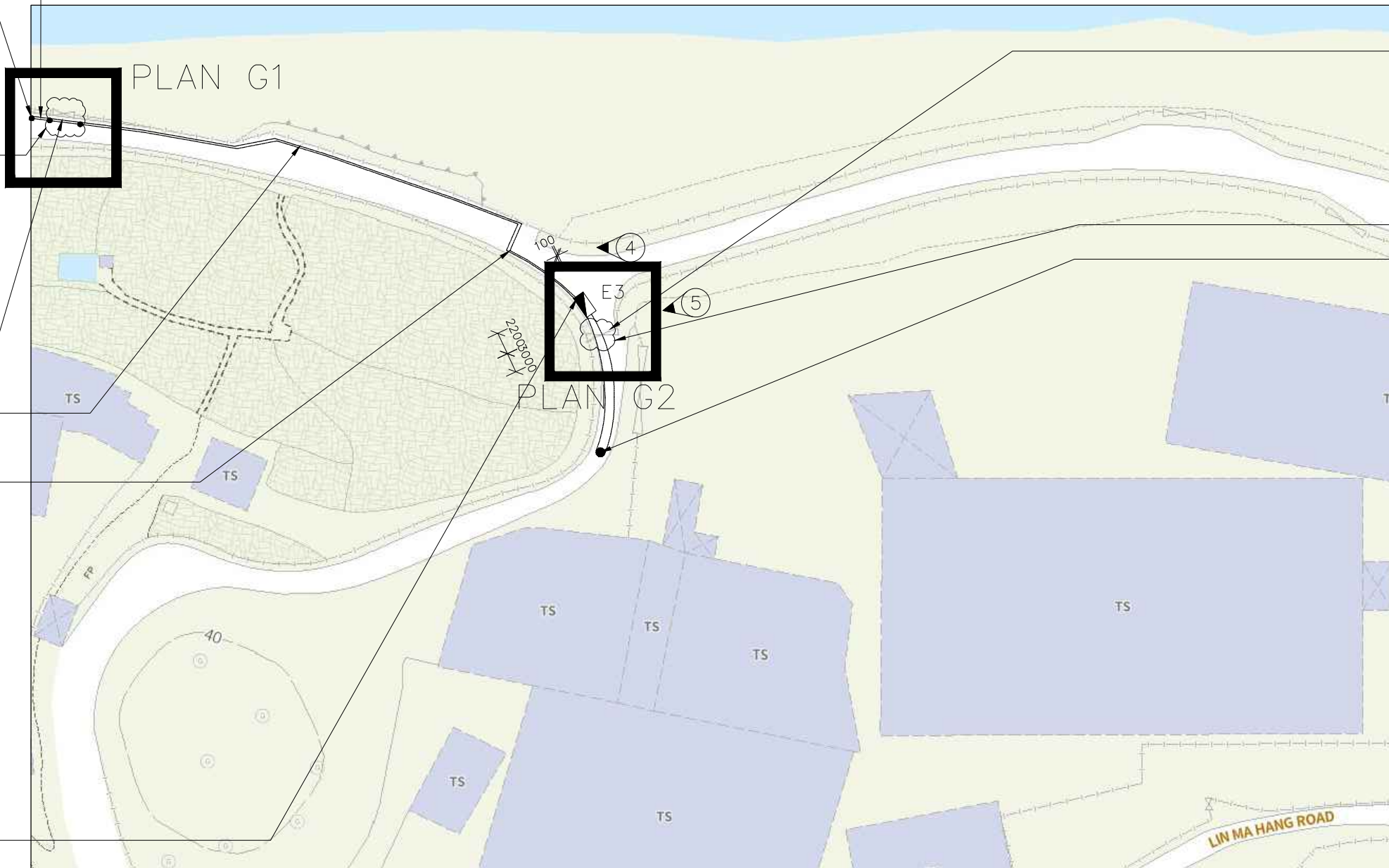
PLAN G2
1: 250

③ 600(W)x200(D)x5000(L)mm=0.6m³

PROPOSED FIBER CABLE & LEAKY CABLE MOUNTED ON UNDERGROUND THROUGH GATE 42

③ 600(W)x200(D)x5000(L)mm=0.6m³

CLP POWER CABLE & FIBER CABLE TEL. CABLE ROUTING TBC



PLAN G
1: 800

REV	DESCRIPTION	DATE	BY	CHK'D	APP
-----	-------------	------	----	-------	-----

創域工程有限公司
JEG Engineering Co. Ltd.



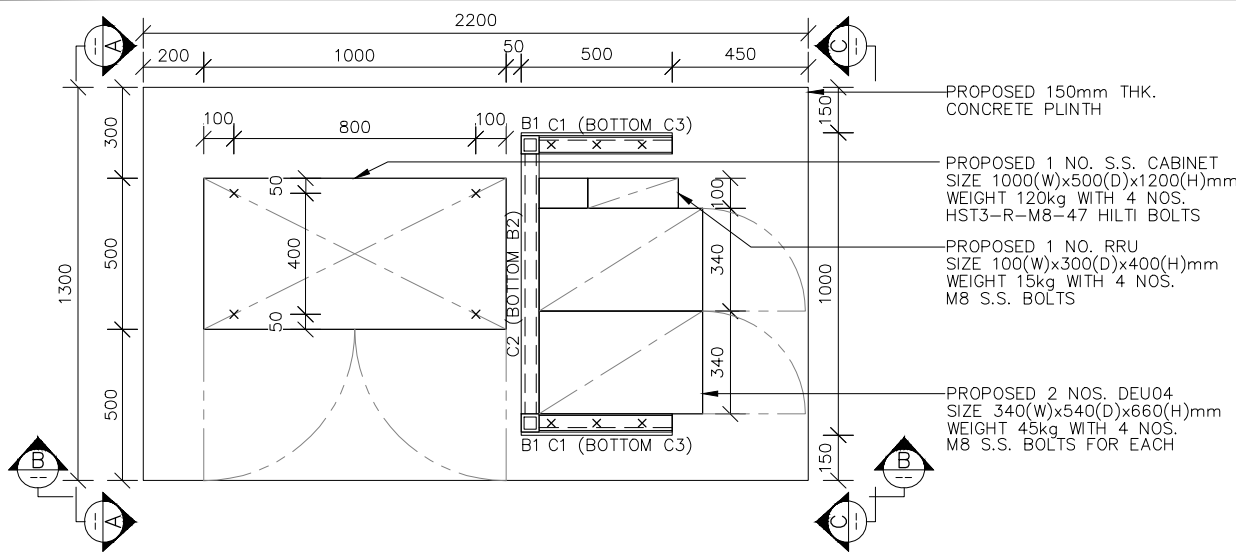
PROJECT :
BTS SITE
GATE 42, GATE 48
& GATE 53A,
LIN MA HANG ROAD,
WANG LEK, N.T.
(SITE CODE: 9306 & 9307)

DRAWING TITLE :
DETAILS OF TRANSMISSION
EQUIPMENT FIXING

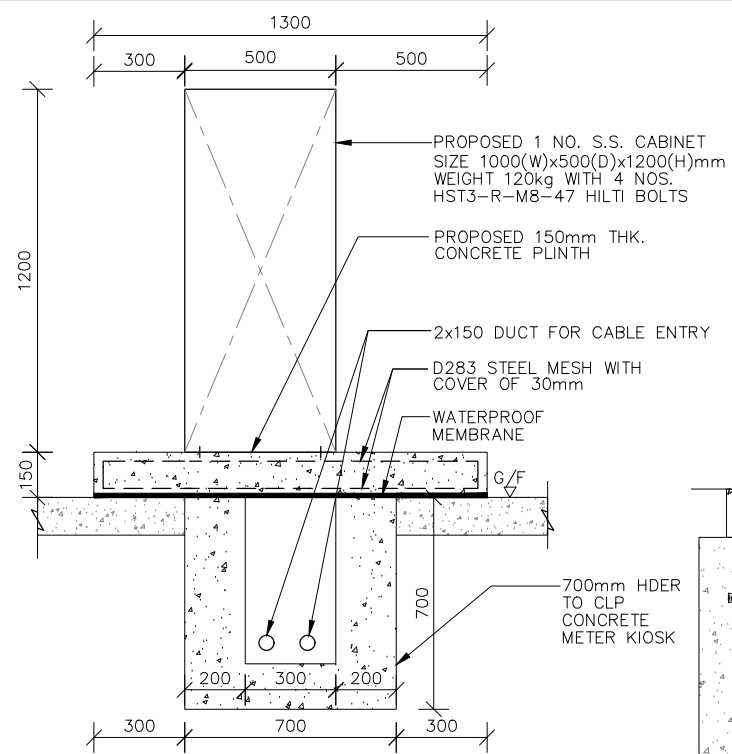
SCALE AT A1 AS SHOWN	DESIGNED : E. WONG	DRAWN : SHEN	CHECKED : G.C.
	APPROVED : E. WONG	DATE : 5 JUN., 2022	

PROJECT No. J8001	DRAWING No. : S2984-8	REV. -
-----------------------------	--------------------------	-----------

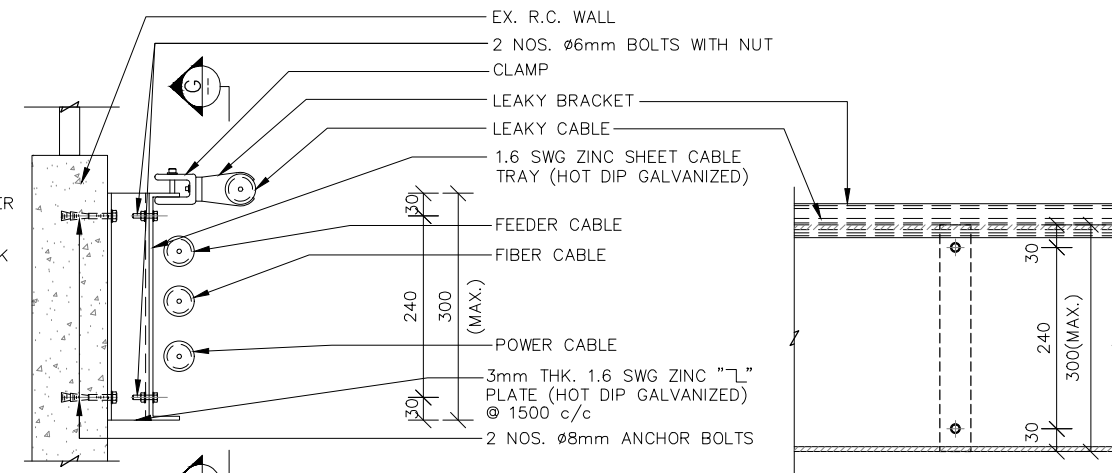
THIS DRAWING & DESIGN ARE COPYRIGHT RESERVED. NO ONE MAY REPRODUCE WITHOUT THE WRITTEN PERMISSION OF THE JEG ENG. CO. LTD.



PLAN FOR PROPOSED CONCRETE PLINTH FOR EQUIPMENT UNITS E1 & E3
1 : 25

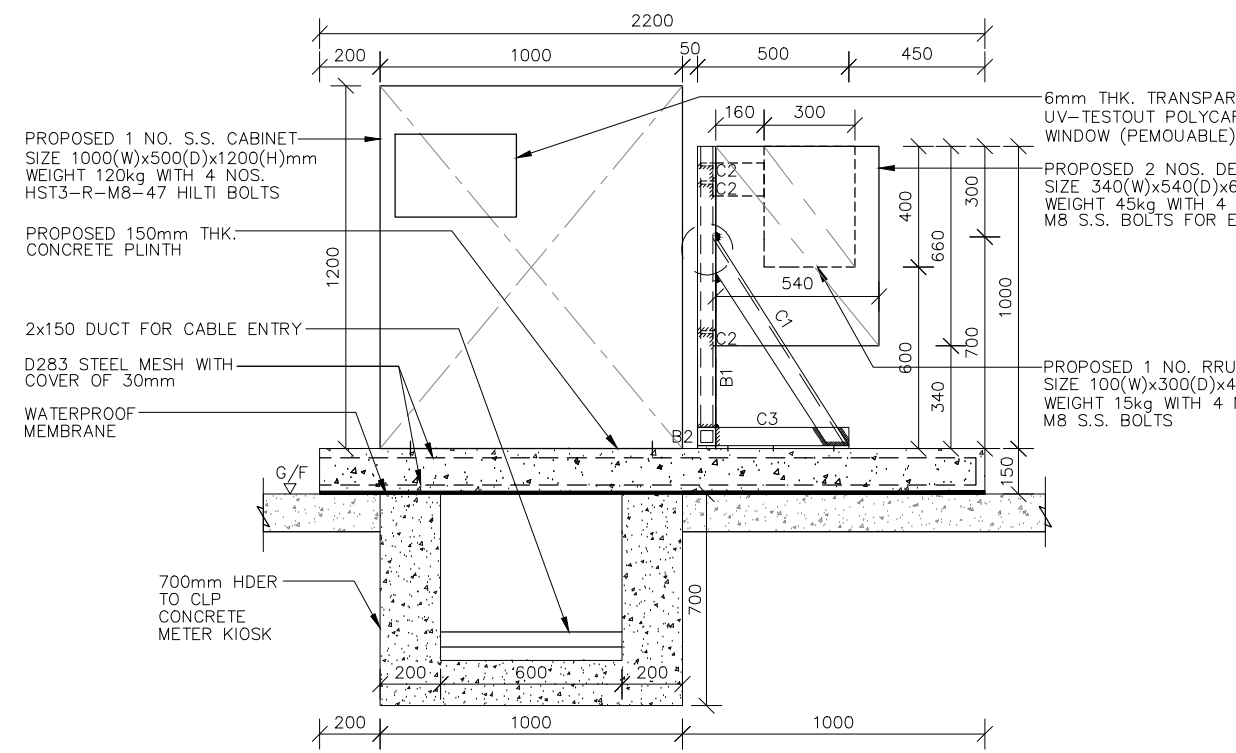


SECTION A-A
1 : 25

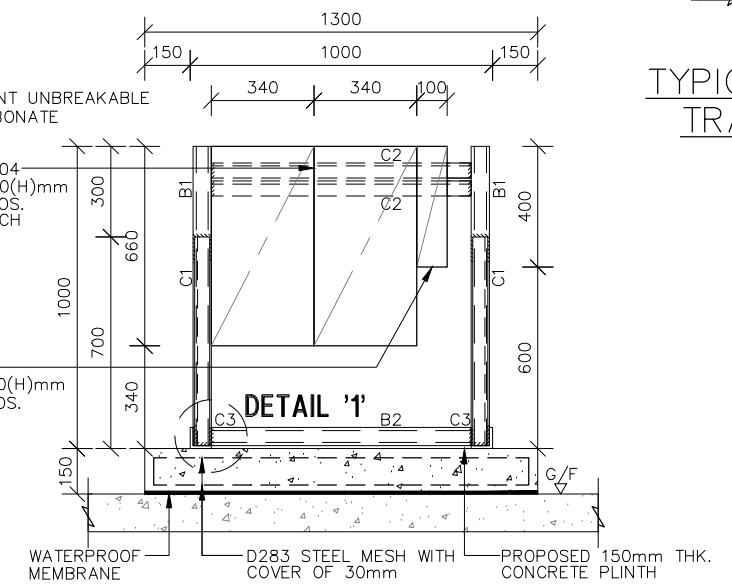


TYPICAL DETAILS FOR CABLE TRAY MOUNTED ON WALL
1 : 10

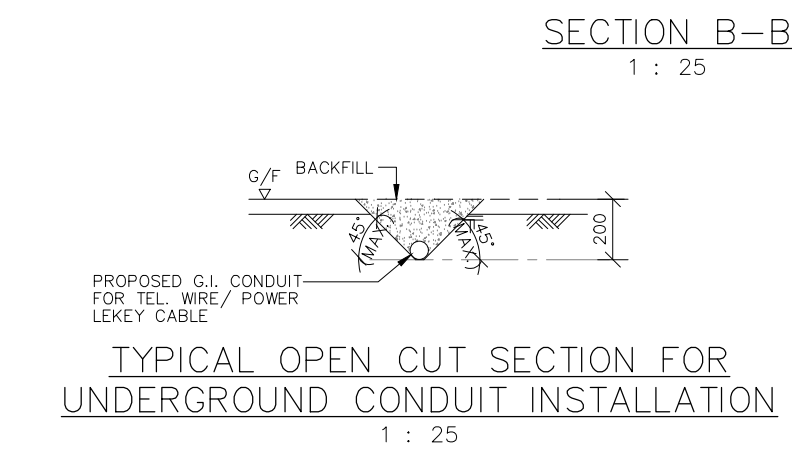
SECTION G-G
1 : 10



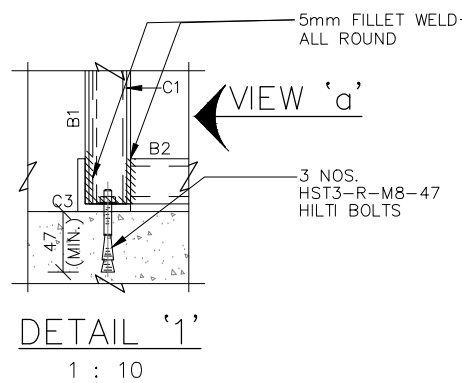
SECTION B-B
1 : 25



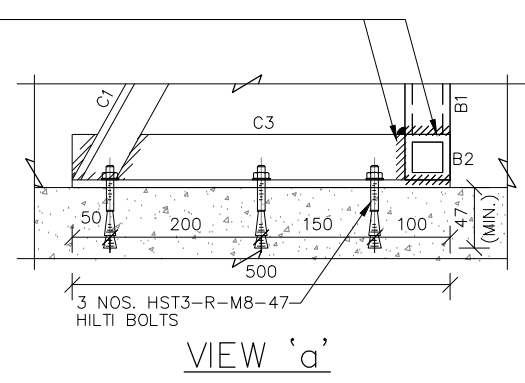
SECTION C-C
1 : 25



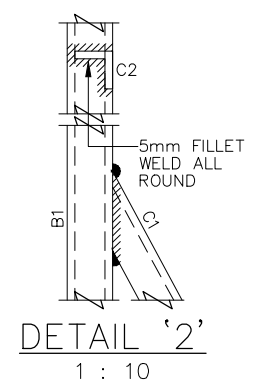
TYPICAL OPEN CUT SECTION FOR UNDERGROUND CONDUIT INSTALLATION
1 : 25



DETAIL '1'
1 : 10



VIEW 'a'
1 : 10



DETAIL '2'
1 : 10

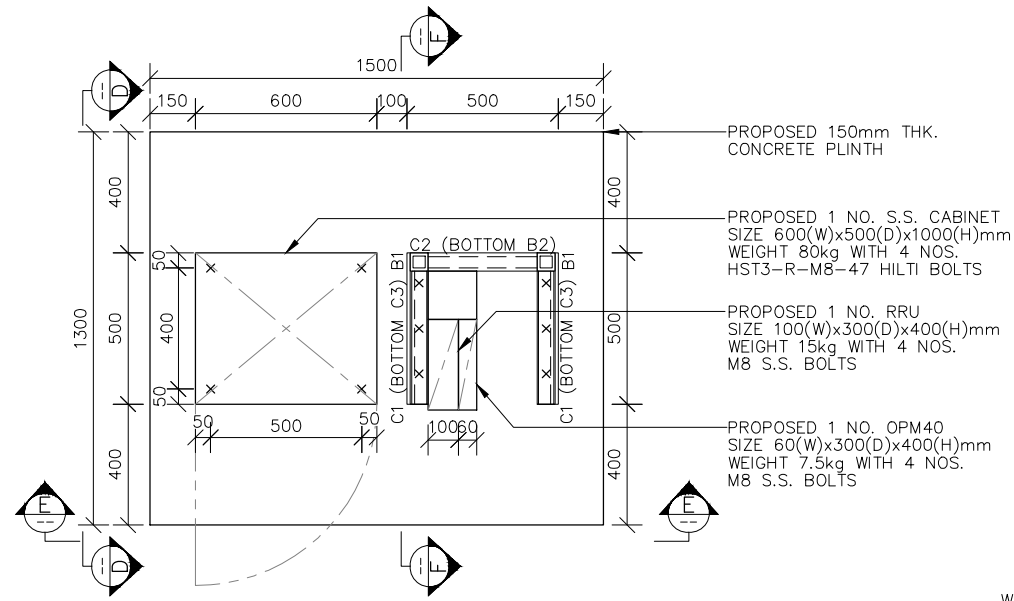
GENERAL NOTES :

1. THIS DRAWING SHOULD BE READ IN CONJUNCTION WITH DRAWING NO. S2984-1 TO S2984-8 & S2984-10.
2. NOTES REFER TO DRAWING NO. S2984-1.

REV	DESCRIPTION	DATE	BY	CHK'D	APP
創域工程有限公司 JEG Engineering Co. Ltd.					
CHINA MOBILE HONG KONG COMPANY LIMITED					
PROJECT :					
BTS SITE GATE 42, GATE 48 & GATE 53A, LIN MA HANG ROAD, WANG LEK, N.T. (SITE CODE: 9306 & 9307)					
DRAWING TITLE :					
DETAILS OF TRANSMISSION EQUIPMENT FIXING					
SCALE AT A1	DESIGNED :	DRAWN :	CHECKED :		
AS SHOWN	E. WONG	SHEN	G.C.		
	APPROVED :	DATE :			
	E. WONG	5 JUN., 2022			
PROJECT No.	DRAWING No. :	REV.			
J8001	S2984-9	-			
THIS DRAWING & DESIGN ARE COPYRIGHT RESERVED. NO ONE MAY REPRODUCE WITHOUT THE WRITTEN PERMISSION OF THE JEG ENG. CO. LTD.					

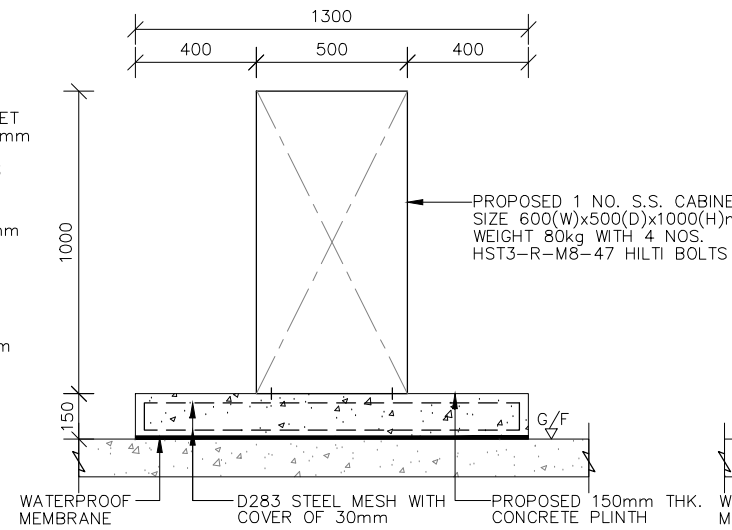
GENERAL NOTES :

1. THIS DRAWING SHOULD BE READ IN CONJUNCTION WITH DRAWING NO. S2984-1 TO S2984-9.
2. NOTES REFER TO DRAWING NO. S2984-1.



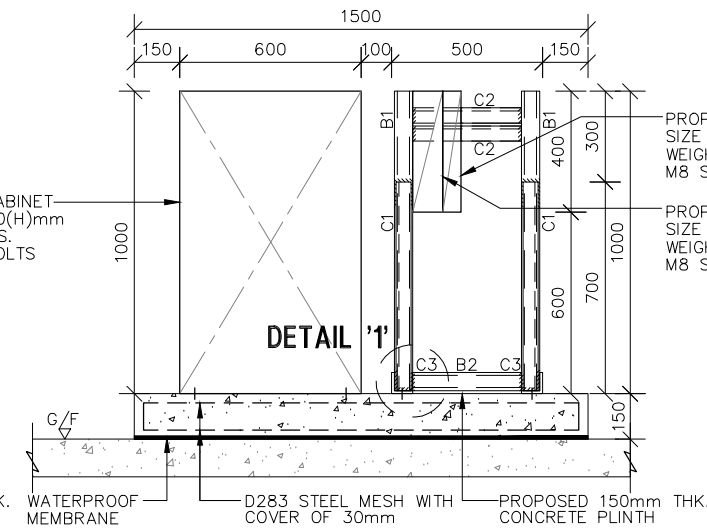
PLAN FOR PROPOSED CONCRETE PLINTH FOR EQUIPMENT UNIT E2

1 : 25



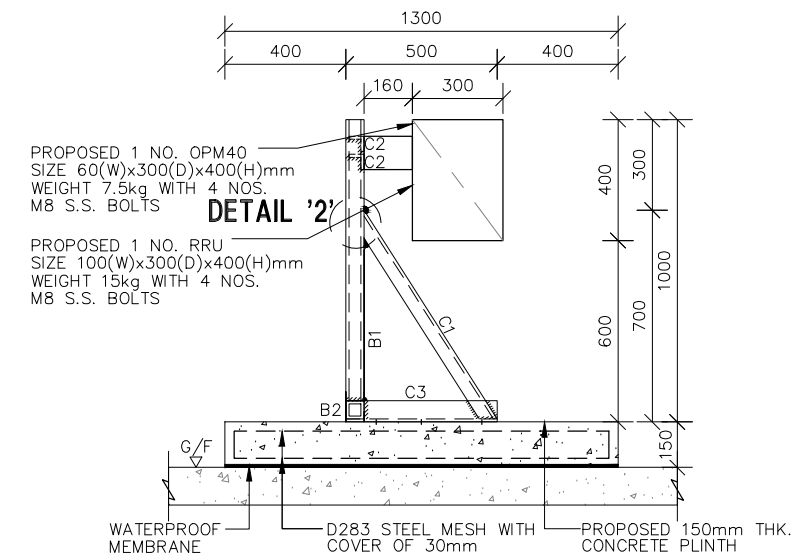
SECTION D-D

1 : 25



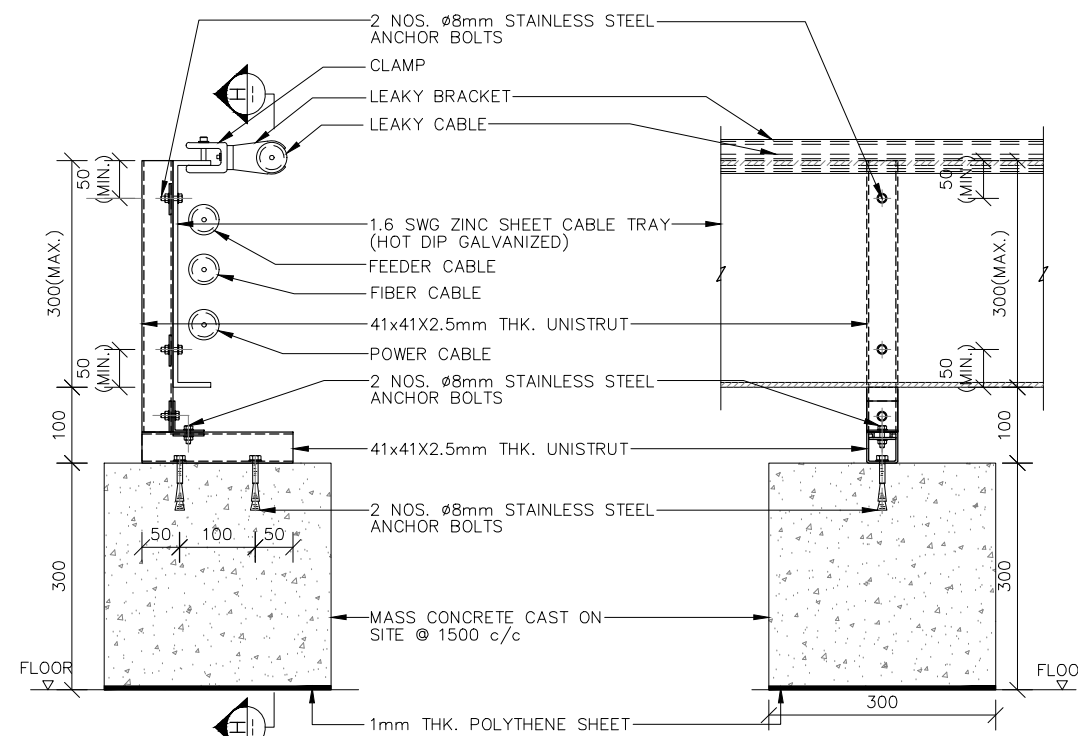
SECTION E-E

1 : 25



SECTION F-F

1 : 25



SECTION H-H

1 : 10

DETAILS FOR CABLE TRAY MOUNTED ON CONCRETE PLINTH LAID ON FLOOR

1 : 10

REV	DESCRIPTION	DATE	BY	CHK'D	APP
-----	-------------	------	----	-------	-----

創域工程有限公司
JEG Engineering Co. Ltd.



CHINA MOBILE
HONG KONG
COMPANY LIMITED

PROJECT :
BTS SITE
GATE 42, GATE 48
& GATE 53A,
LIN MA HANG ROAD,
WANG LEK, N.T.
(SITE CODE: 9306 & 9307)

DRAWING TITLE :
DETAILS OF TRANSMISSION
EQUIPMENT FIXING

SCALE AT A1	DESIGNED : E. WONG	DRAWN : SHEN	CHECKED : G.C.
AS SHOWN	APPROVED : E. WONG	DATE : 5 JUN., 2022	
PROJECT No. J8001	DRAWING No. : S2984-10	REV. -	

THIS DRAWING & DESIGN ARE COPYRIGHT RESERVED. NO ONE MAY REPRODUCE WITHOUT THE WRITTEN PERMISSION OF THE JEG ENG. CO. LTD.