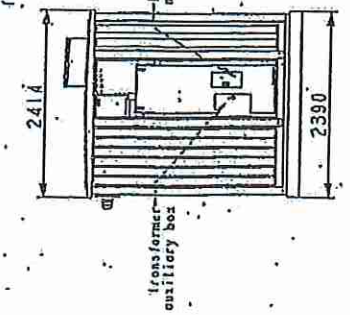


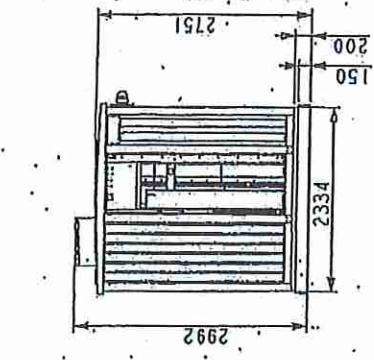
Sectional Plan

Attachment II

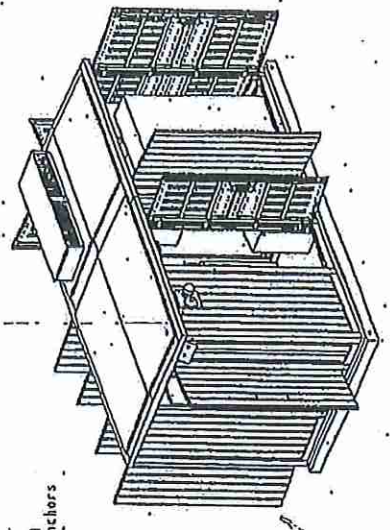
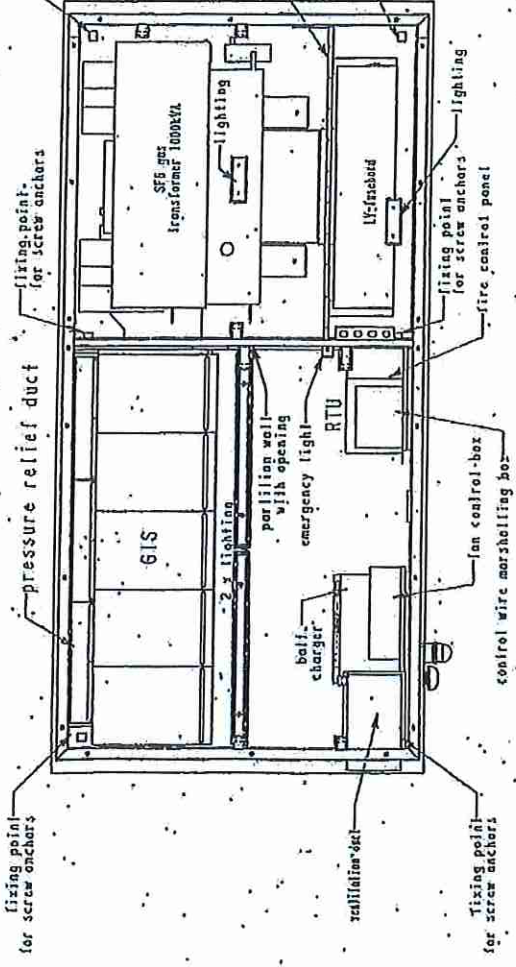
Interior view of S/S TR-compartment



Interior view of S/S HV-compartment



Top view



参考編號  
REFERENCE No.

繪圖  
DRAWING A-2