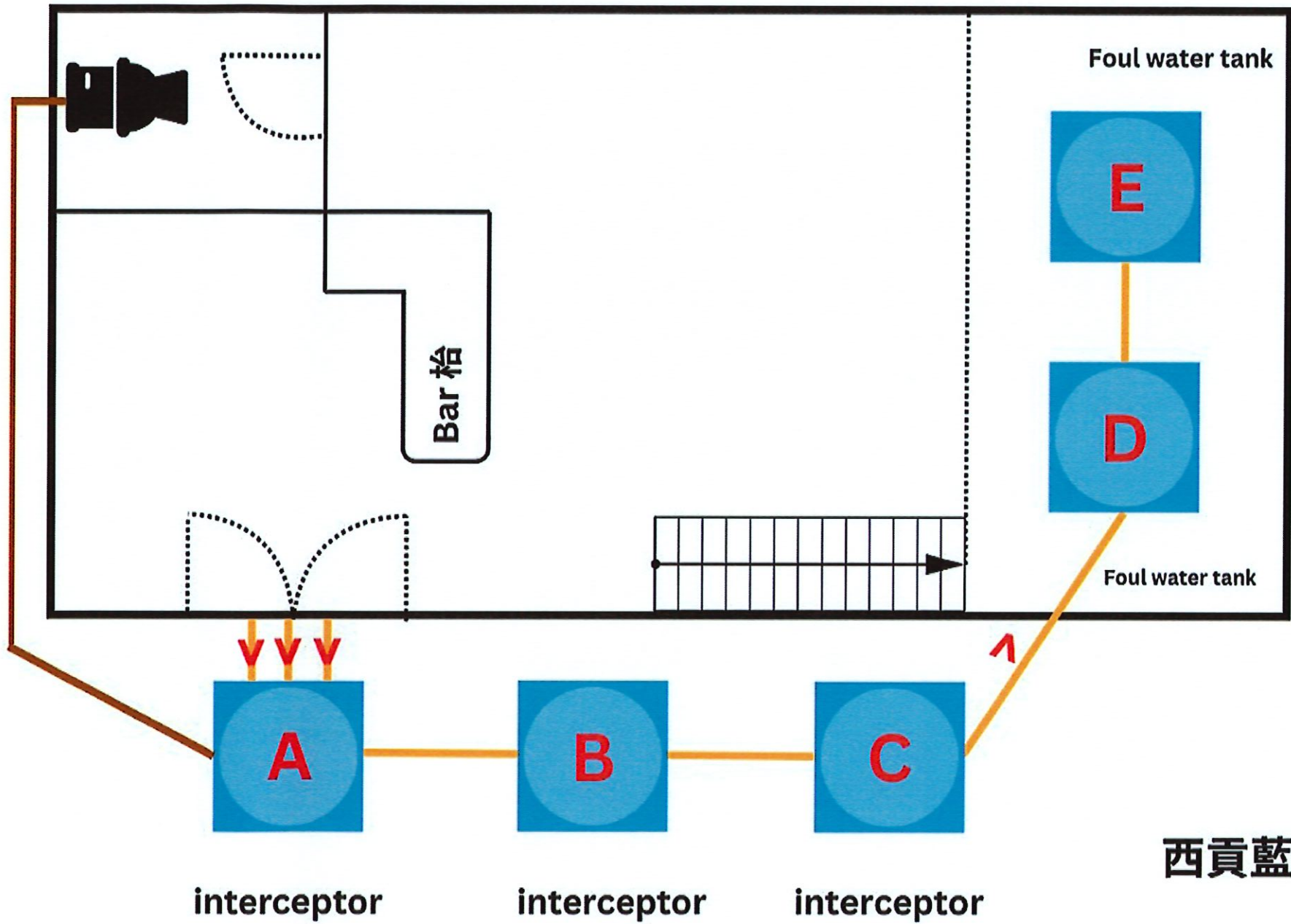
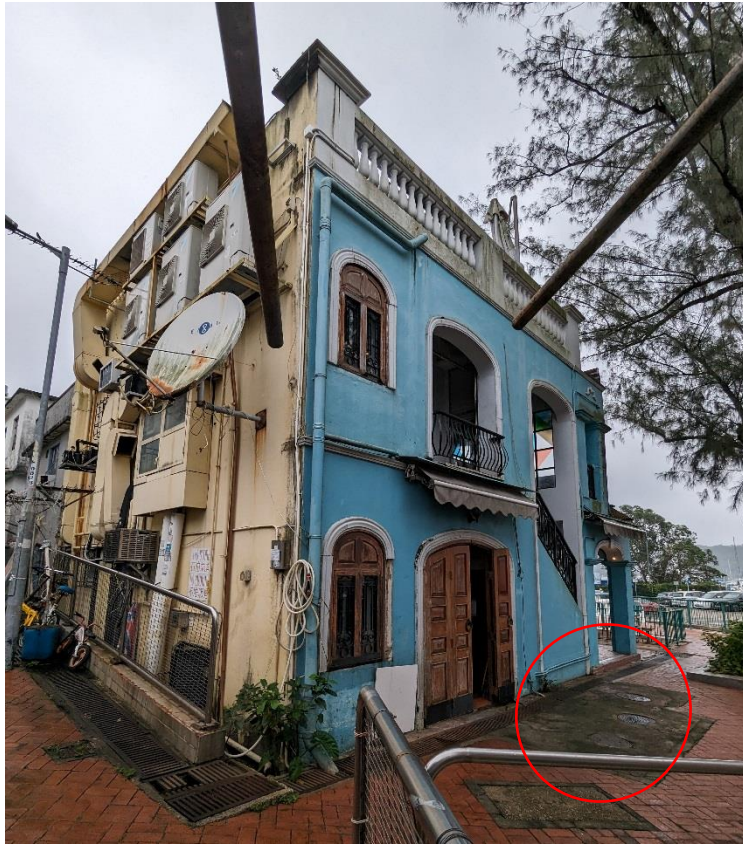


Appendix 5

Layout Plan and Photos of the Sewer Tanks



西貢藍屋



01. Location of Interceptors (A, B & C)



02. Interceptors (A, B & C)



03. Foul Water Tank (D)



04. Foul Water Tank (E)