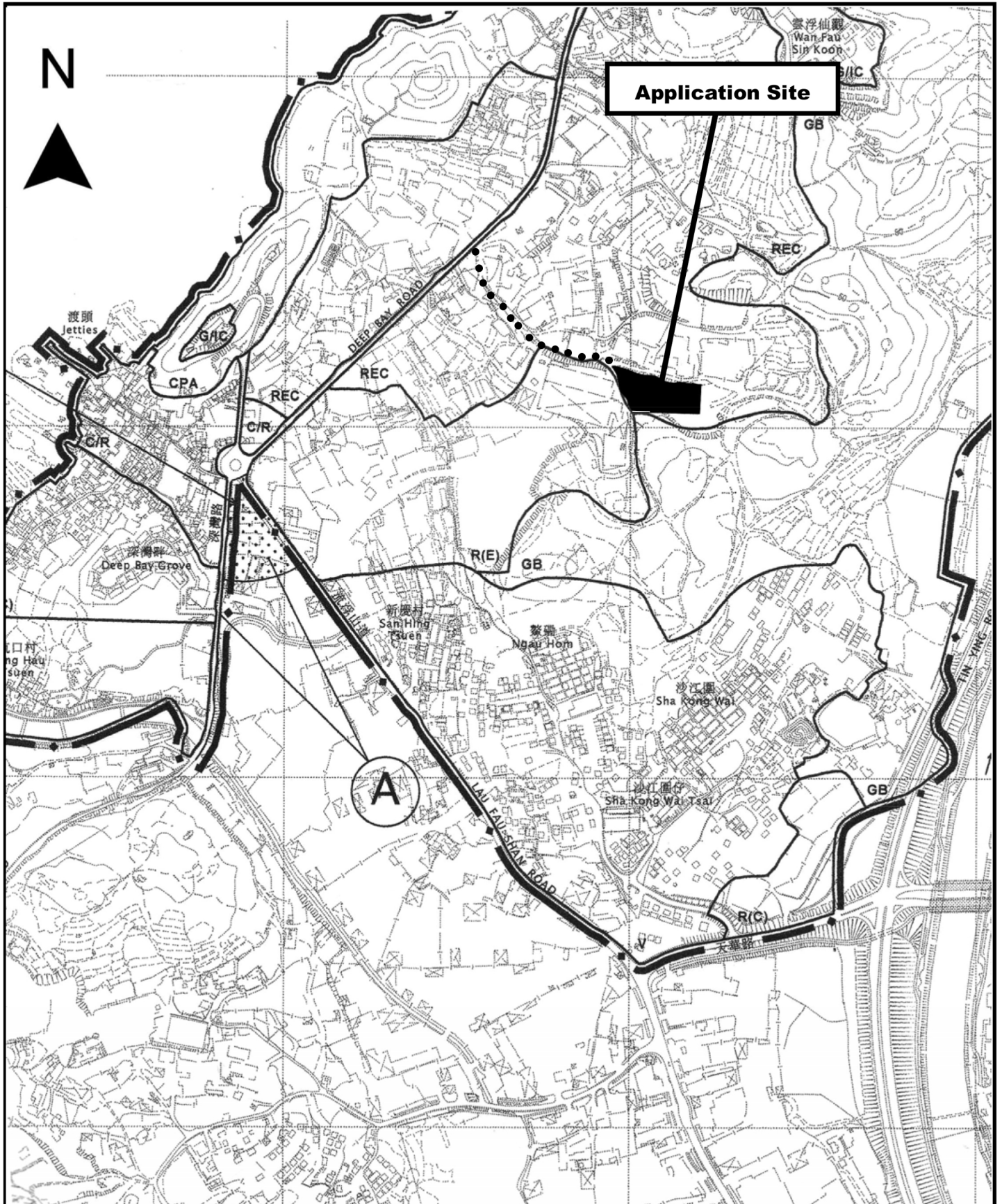


<p>Project 項目名稱: Proposed Temporary Warehouse for Storage of Water Pump and Motors for a Period of 3 Years at Lots 1679 (Part), 1684 (Part) 1685 (Part) & 1690 (Part) in D.D. 129 & Adjoining Government Land, Lau Fau Shan, Yuen Long, N.T.</p>	<p>Drawing Title 圖目: Application Site</p> <p>Drawing No. 圖號: Figure 1</p>	<p>Remarks 備註:</p> <p>Scale 比例: 1:1000</p>
---	---	---



<p>Project 項目名稱: Proposed Temporary Warehouse for Storage of Water Pump and Motors for a Period of 3 Years at Lots 1679 (Part), 1684 (Part) 1685 (Part) & 1690 (Part) in D.D. 129 & Adjoining Government Land, Lau Fau Shan, Yuen Long, N.T.</p>	<p>Drawing Title 圖目: Location Plan</p> <p>Drawing No. 圖號: Figure 2</p>	<p>Remarks 備註: ●●● Vehicular access leading from Deep Bay Road</p> <p>Scale 比例: 1:7500</p>
---	--	--

N



Structure 1

Warehouse for storage of water pumps, motors and site office
Covered land area: Not exceeding 1,860m²
GFA: Not exceeding 1,890m²
Height: Not exceeding 8m
No. of storey: 1 (Warehouse)
2 (Site office)

Structure 6

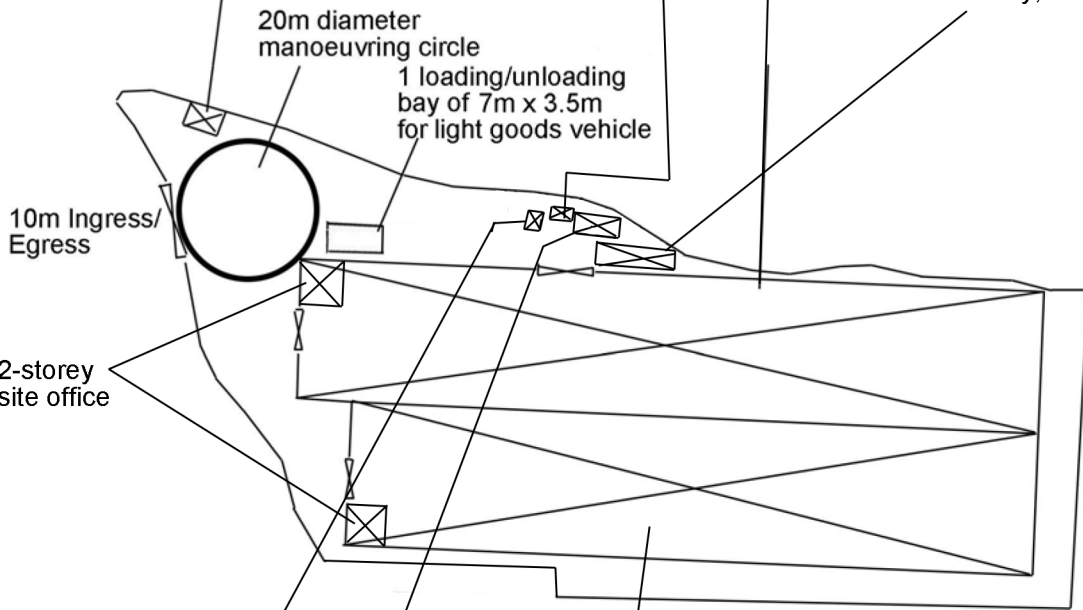
Water tank for toilet
GFA: Not exceeding 3m²
Height: Not exceeding 2m
No. of storey: 1

Structure 2

Toilet
GFA: Not exceeding 20m²
Height: Not exceeding 3.5m
No. of storey: 1

Structure 7

Water tank and pump room being fire service installations
GFA: Not exceeding 100m²
Height: Not exceeding 7.5m
No. of storey; 1



10m Ingress/
Egress

20m diameter
manoeuvring circle

1 loading/unloading
bay of 7m x 3.5m
for light goods vehicle

2-storey
site office

Structure 5

Toilet
GFA: Not exceeding 5m²
Height: Not exceeding 3.5m
No. of storey: 1

Structure 3

Warehouse for storage of water pumps, motors and site office
Covered land area: 1,740m²
GFA: Not exceeding 1,770m²
Height: Not exceeding 8m
No. of storey: 1 (warehouse)
2 (site office)

Structure 4

Toilet
GFA: Not exceeding 40m²
Height: Not exceeding 3.5m
No. of storey: 1

Project 項目名稱:

Proposed Temporary Warehouse for Storage of Water Pump and Motors for a Period of 3 Years at Lots 1679 (Part), 1684 (Part) 1685 (Part) & 1690 (Part) in D.D. 129 & Adjoining Government Land, Lau Fau Shan, Yuen Long, N.T.

Drawing Title 圖目:

Proposed Layout Plan

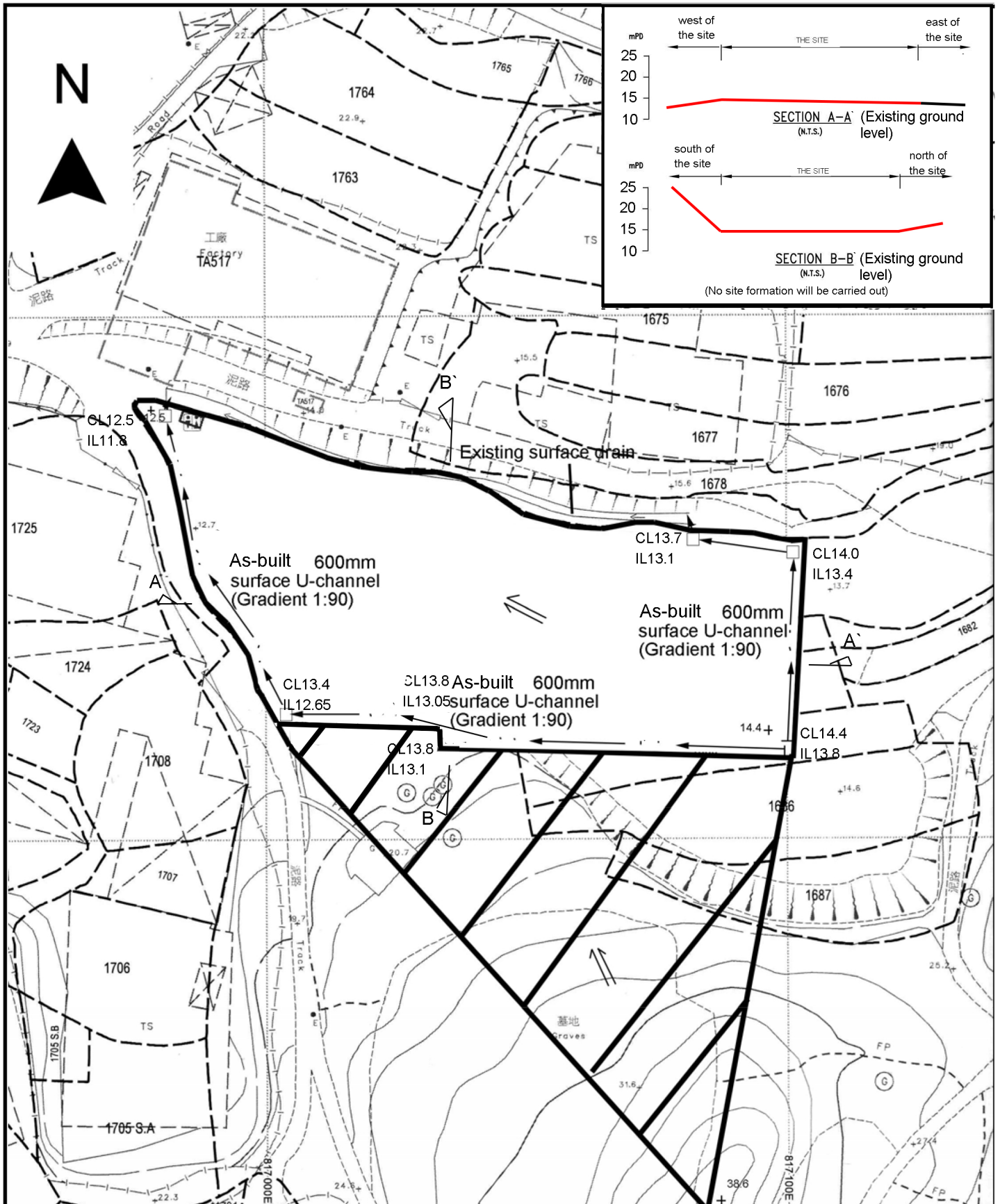
Remarks 備註:

Drawing No. 圖號:

Figure 3

Scale 比例:

1:1000



<p>Project 項目名稱: Proposed Temporary Warehouse for Storage of Water Pump and Motors for a Period of 3 Years at Lots 1679 (Part), 1684 (Part) 1685 (Part) & 1690 (Part) in D.D. 129 & Adjoining Government Land, Lau Fau Shan, Yuen Long, N.T.</p>	<p>Drawing Title 圖目: As-built Drainage Plan</p>	<p>Remarks 備註: <input type="checkbox"/> Proposed catchpit + 14.4 Level (mPD) Flow of Surface Runoff External catchment</p>
	<p>Drawing No. 圖號: Figure 4</p>	<p>Scale 比例: 1:1000</p>