

Your Ref. : TPB/AYL-MP/316
Our Ref. : H20002/PD/022
30 December 2021

By email and by Hand

Planning Department

Unit 2202, 22/F CDW Building,
388 Castle Peak Road, Tsuen Wan, NT

Dear Sirs,

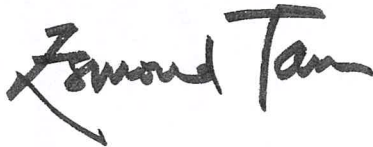
**Re: Proposed Field Study Centre and Organic Farm by Revitalization of Former Chuk Hing Public School at Government Land (GL) in D.D. 104, Ha Chuk Yuen Tsuen, San Tin, Yuen Long
Re-Submission of records of Existing drainage facilities (Approval condition (d))**

With reference to the comment by DSD dated 21 December 2021, please find enclosed herewith 4 sets of the updated drainage facilities for your information and approval.

Should you have any queries, please feel free to contact me directly with M: 9433 4654 or our Mr. Wallace Wu at 2543 3220.

Thank you very much for your kind attention.

Yours faithfully,



Tam Cheung Kwan

For and on behalf of
A. LEAD ARCHITECTS LIMITED

ET/WW

Encl.

c.c.

Development Bureau

Fruit Garden Social Enterprise Limited

Kewisk

Pinebridge

German Cheung/ Mike Chan

Mr. Alex Mui

Mr. Freddy Wai

Mr. KK Lam

w/ encl

w/ encl

w/ encl

w/ encl

By email only

By email only

By email only

By email only



Your Ref. : TPB/A/YL-MP/316
Our Ref. : H20002/PD/022
30 December 2021

By email and by Hand

Planning Department

Unit 2202, 22/F CDW Building,
388 Castle Peak Road, Tsuen Wan, NT

Dear Sirs,

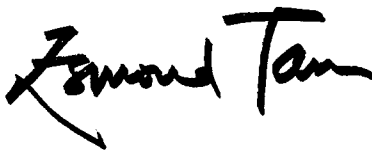
**Re: Proposed Field Study Centre and Organic Farm by Revitalization of Former Chuk Hing Public School at Government Land (GL) in D.D. 104, Ha Chuk Yuen Tsuen, San Tin, Yuen Long
Re-Submission of records of Existing drainage facilities (Approval condition (d))**

With reference to the comment by DSD dated 21 December 2021, please find enclosed herewith 4 sets of the updated drainage facilities for your information and approval.

Should you have any queries, please feel free to contact me directly with M: 9433 4654 or our Mr. Wallace Wu at 2543 3220.

Thank you very much for your kind attention.

Yours faithfully,



Tam Cheung Kwan

For and on behalf of
A. LEAD ARCHITECTS LIMITED

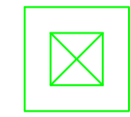
ET/WW

Encl.
c.c.

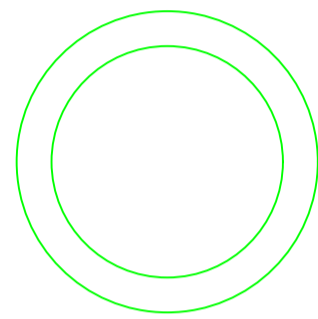
Development Bureau	German Cheung/ Mike Chan	w/ encl	By email only
Fruit Garden Social Enterprise Limited	Mr. Alex Mui	w/ encl	By email only
Kewisk	Mr. Freddy Wai	w/ encl	By email only
Pinebridge	Mr. KK Lam	w/ encl	By email only

LEGEND

- SWP — SWP SOIL & WASTE WATER PIPE
- RWP — RWP RAIN WATER PIPE
- WP — WP WASTE PIPE
- VP — VP ANTI-SYPHONAGE PIPE/VENT PIPE
- EX.SWP — EX.SWP EXISTING SOIL & WASTE PIPE



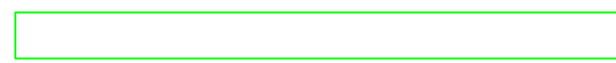
STG/ OTG
BIGT
SEALED TRAPPED GULLY/
OPEN TRAPPED GULLY/
BACK INLET TRAPPED GULLY



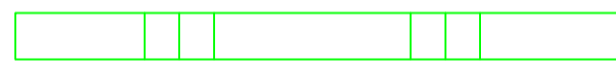
NEW STORM WATER MANHOLE



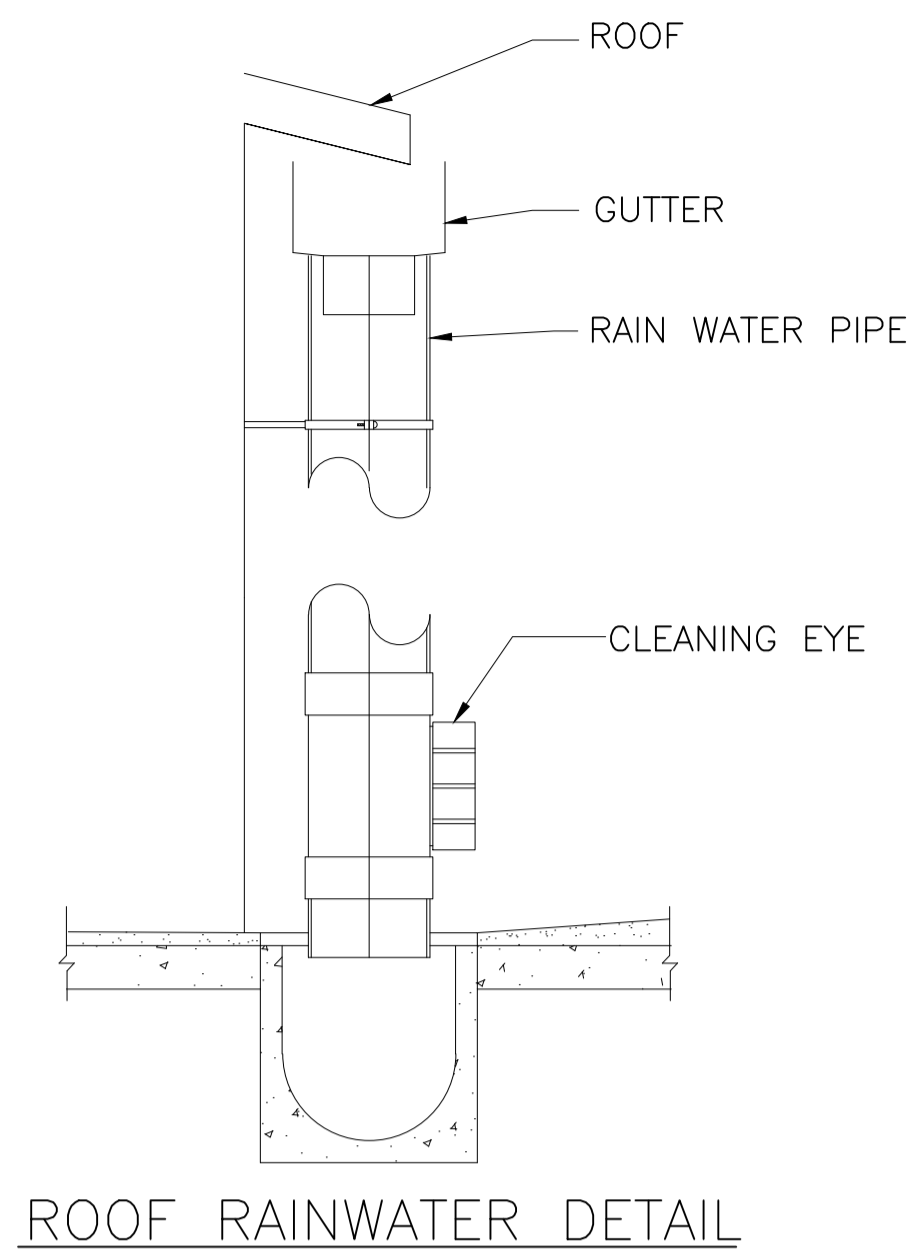
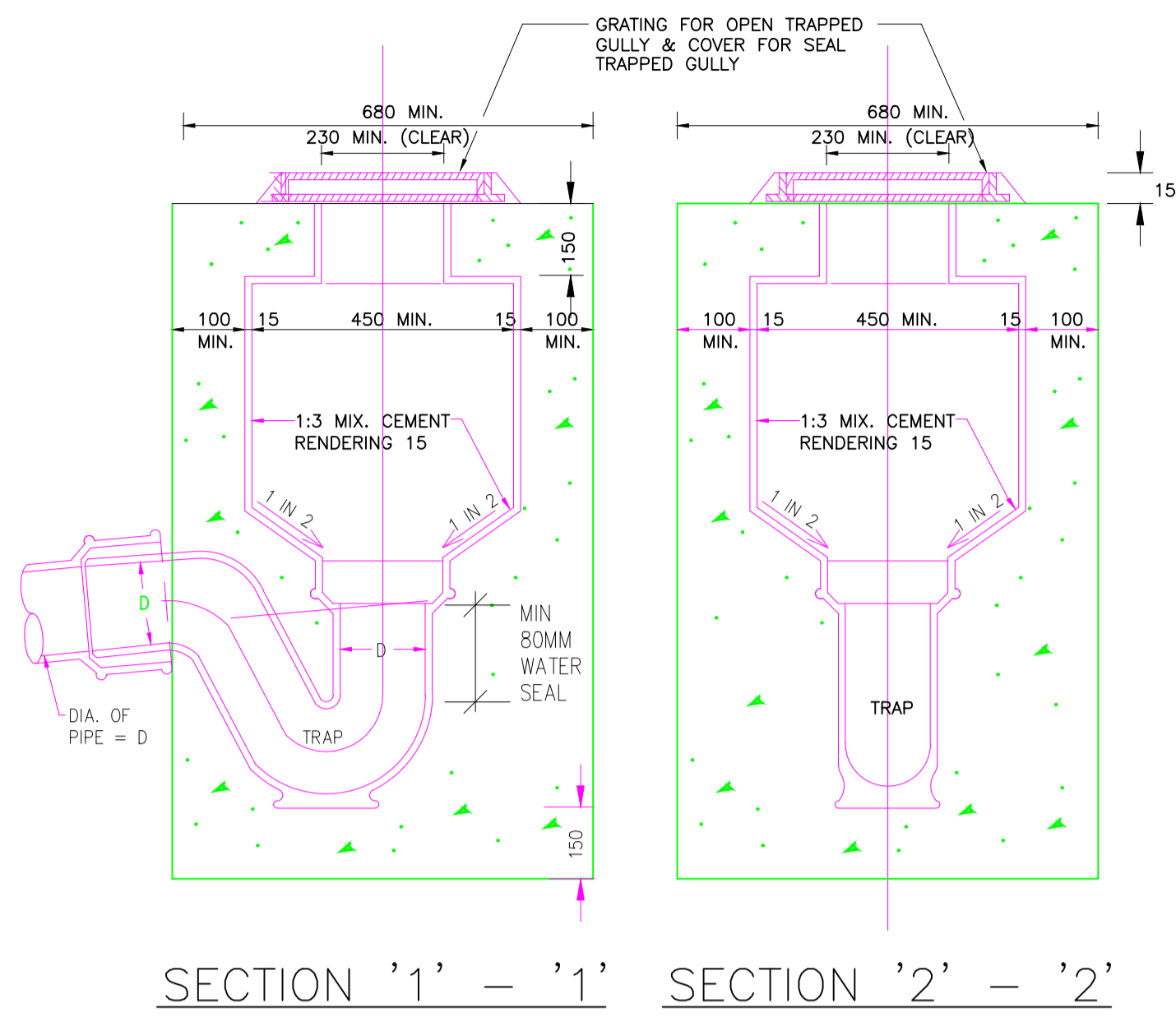
RWO
RAINWATER OUTLET



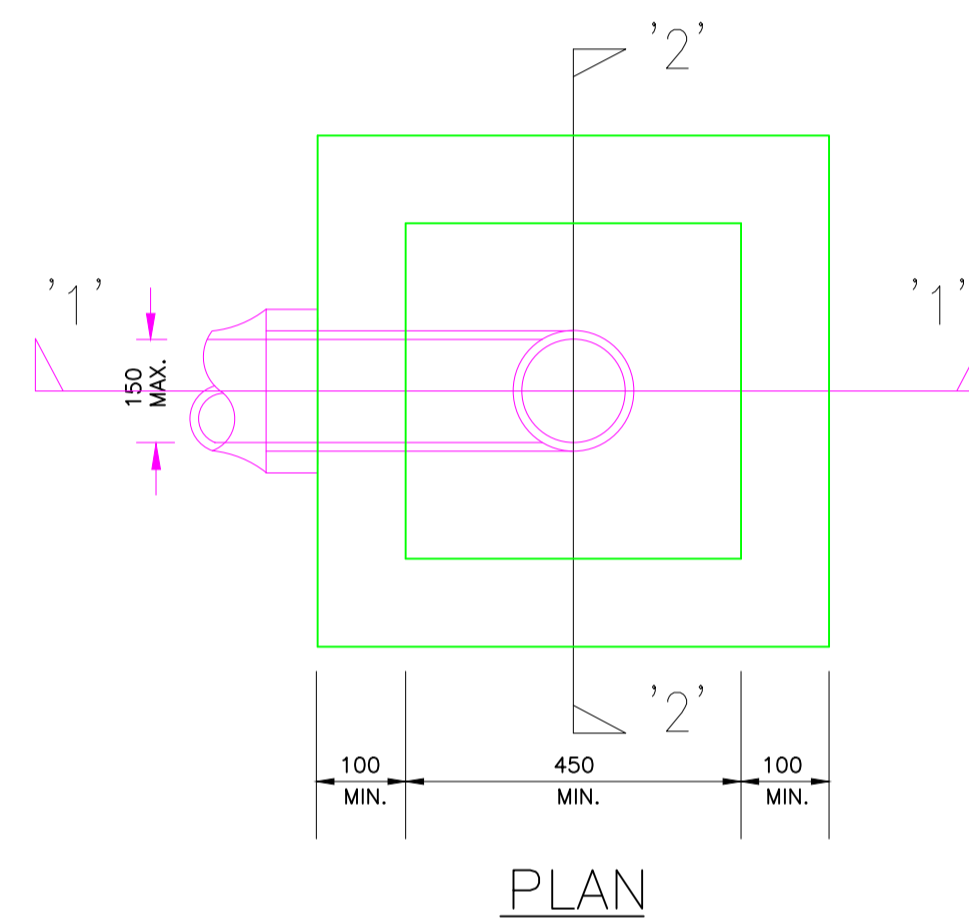
GUTTER



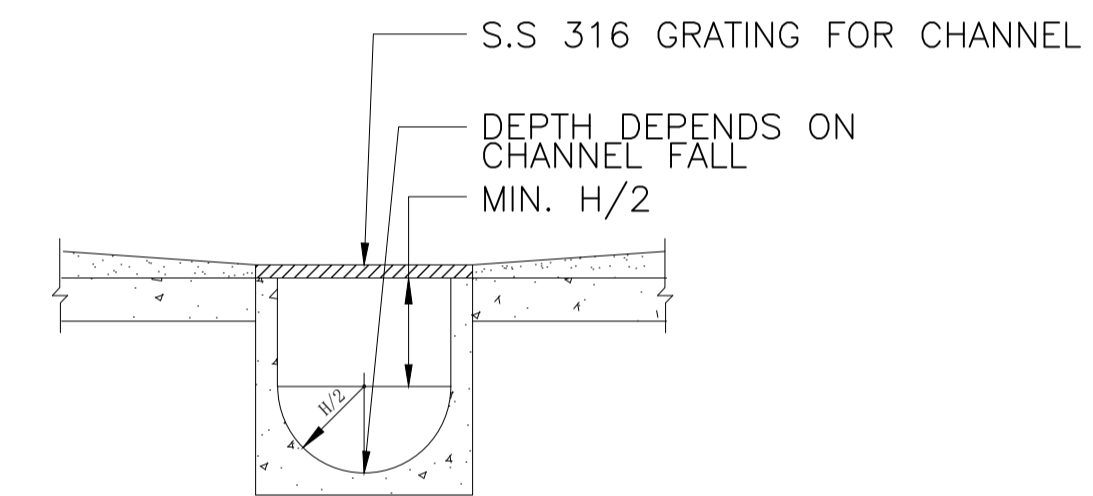
COVERED SURFACE CHANNEL



ROOF RAINWATER DETAIL

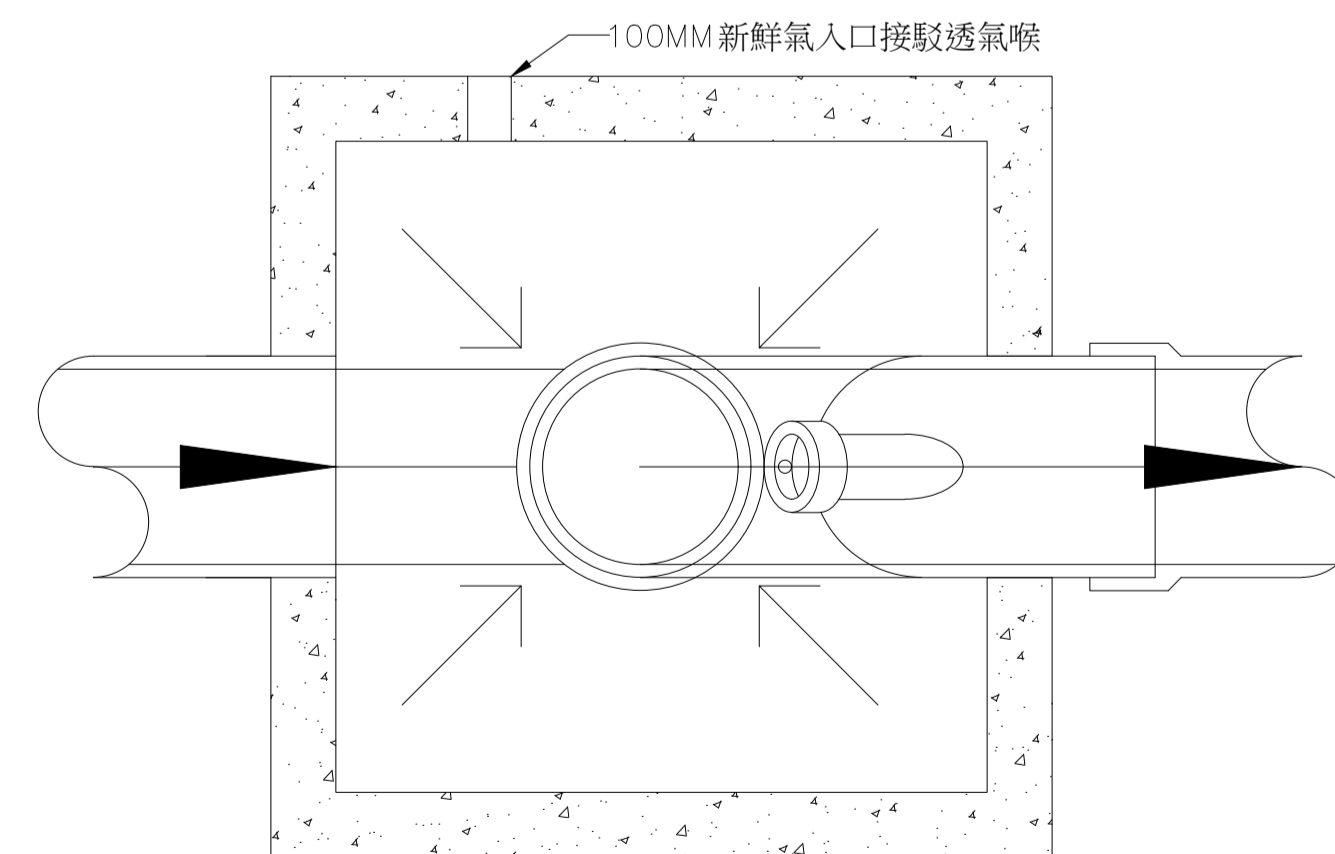


PLAN

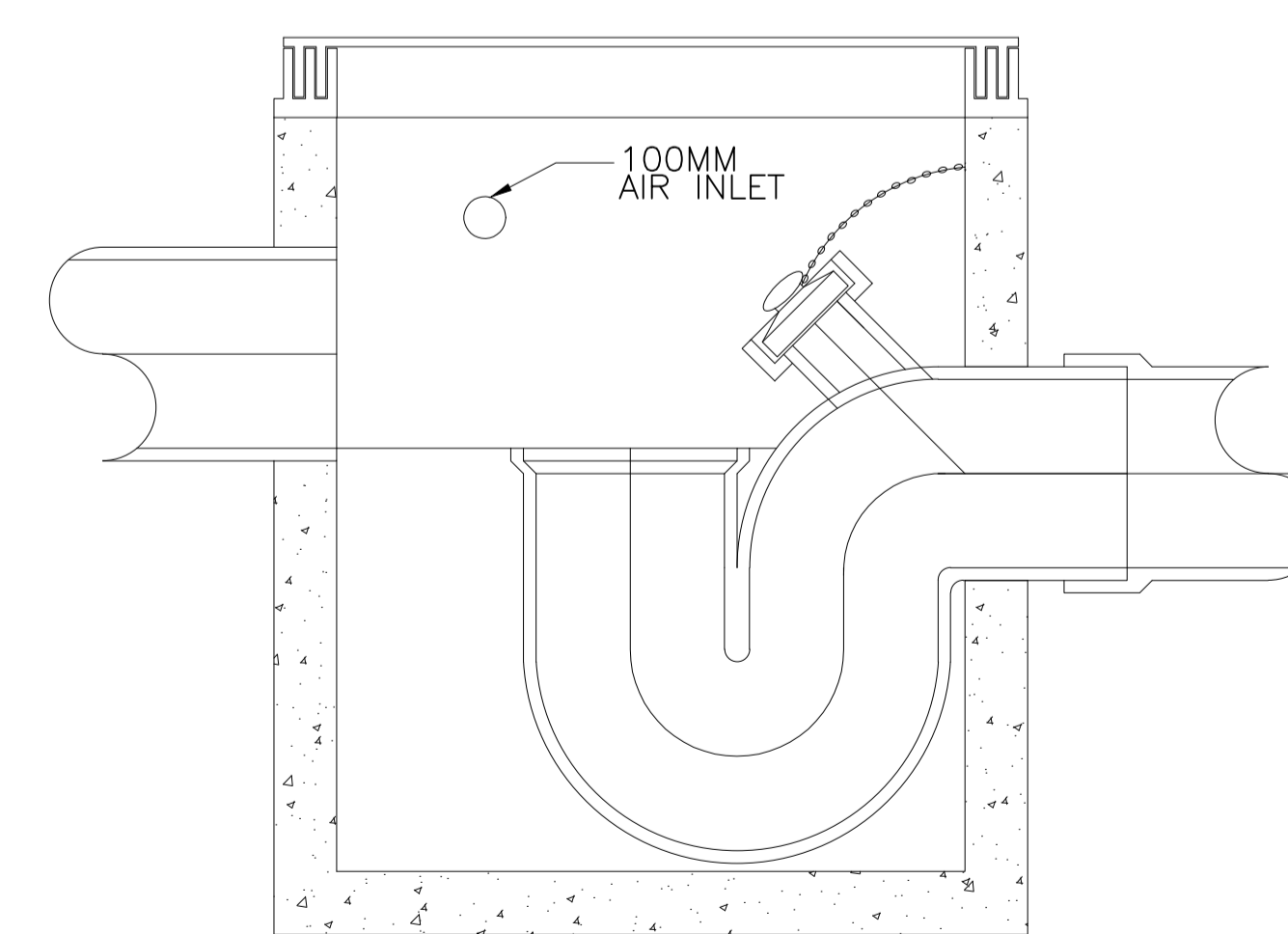


U CHANNEL SECTION

OPEN TRAPPED GULLY/SEALED TRAPPED GULLY
SCALE : N.T.S.



TERMINAL MANHOLE PLAN VIEW



TERMINAL MANHOLE DETAIL
(REFER TO DSD DWG
NO. DS(C)1058B)

REV.	DESCRIPTION	DATE

CLIENT:



ARCHITECT:



E&M CONSULTANT:



PROJECT TITLE:

PROPOSED FIELD STUDY CENTRE
AND ORGANIC FARM IN D.D 104
HA CHUK YUEN TSUEN, SAN TIN,
YUEN LONG

DRAWING TITLE:

LEGEND &
INSTALLATION DETAILS

CONTRACT REFERENCE:

C20006

SCALE:

N.T.S @A1

DATE:

NOV 2020

DESIGN:

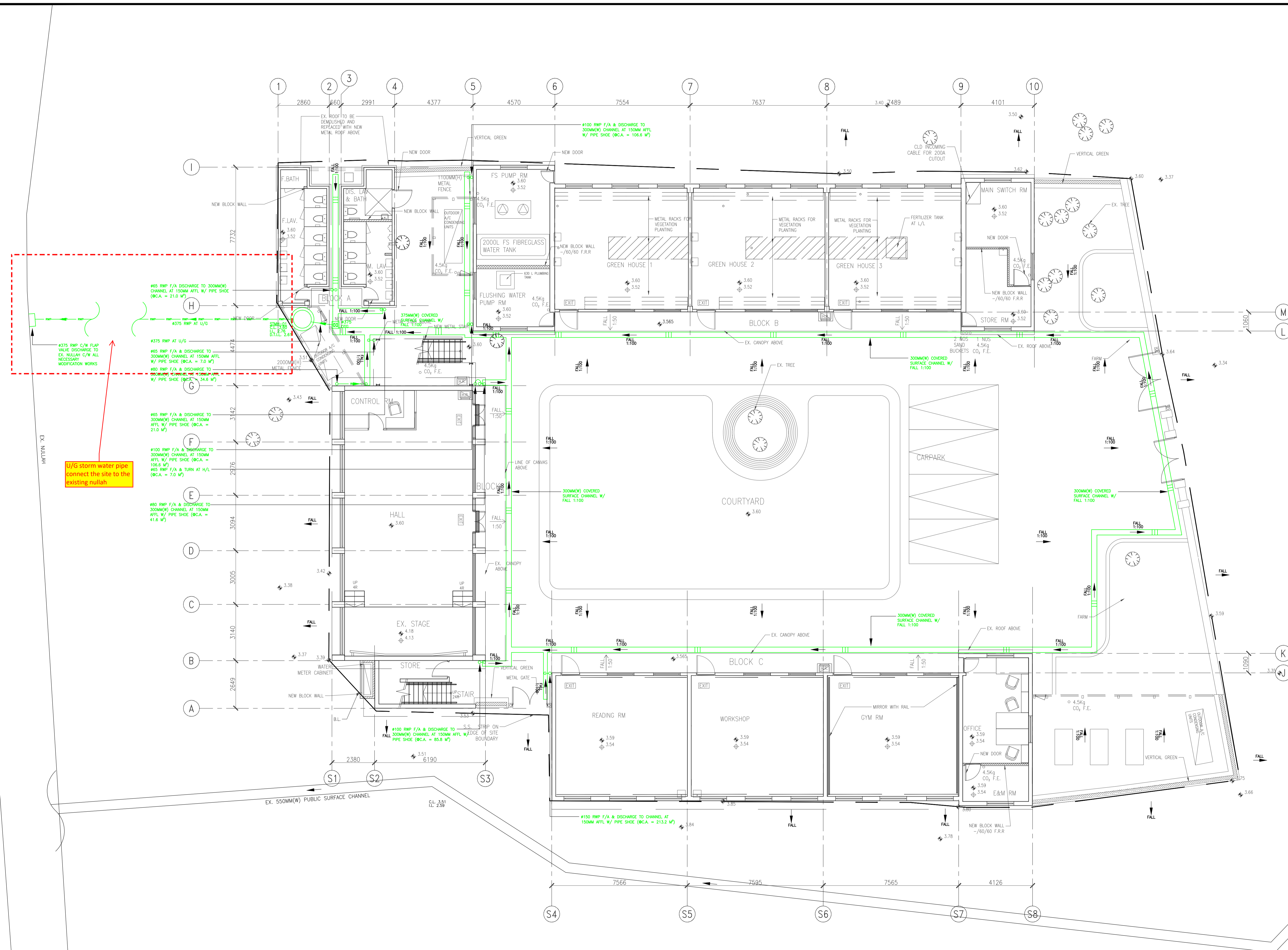
CT

APPROVED:

KKL

DRAWING NUMBER:

C20006-D-001



GROUND FLOOR LAYOUT PLAN

REV.	DESCRIPTION	DATE

CLIENT:

 果園社企
 Fruit Garden Social Enterprise Limited

ARCHITECT:

 A.LEAD architects ltd.
 領建建築師事務所有限公司

E&M CONSULTANT:

 PineBridge
 Consulting Limited

PROJECT TITLE:
 PROPOSED FIELD STUDY CENTRE
 AND ORGANIC FARM IN D.D 104
 HA CHUK YUEN TSUEN, SAN TIN,
 YUEN LONG

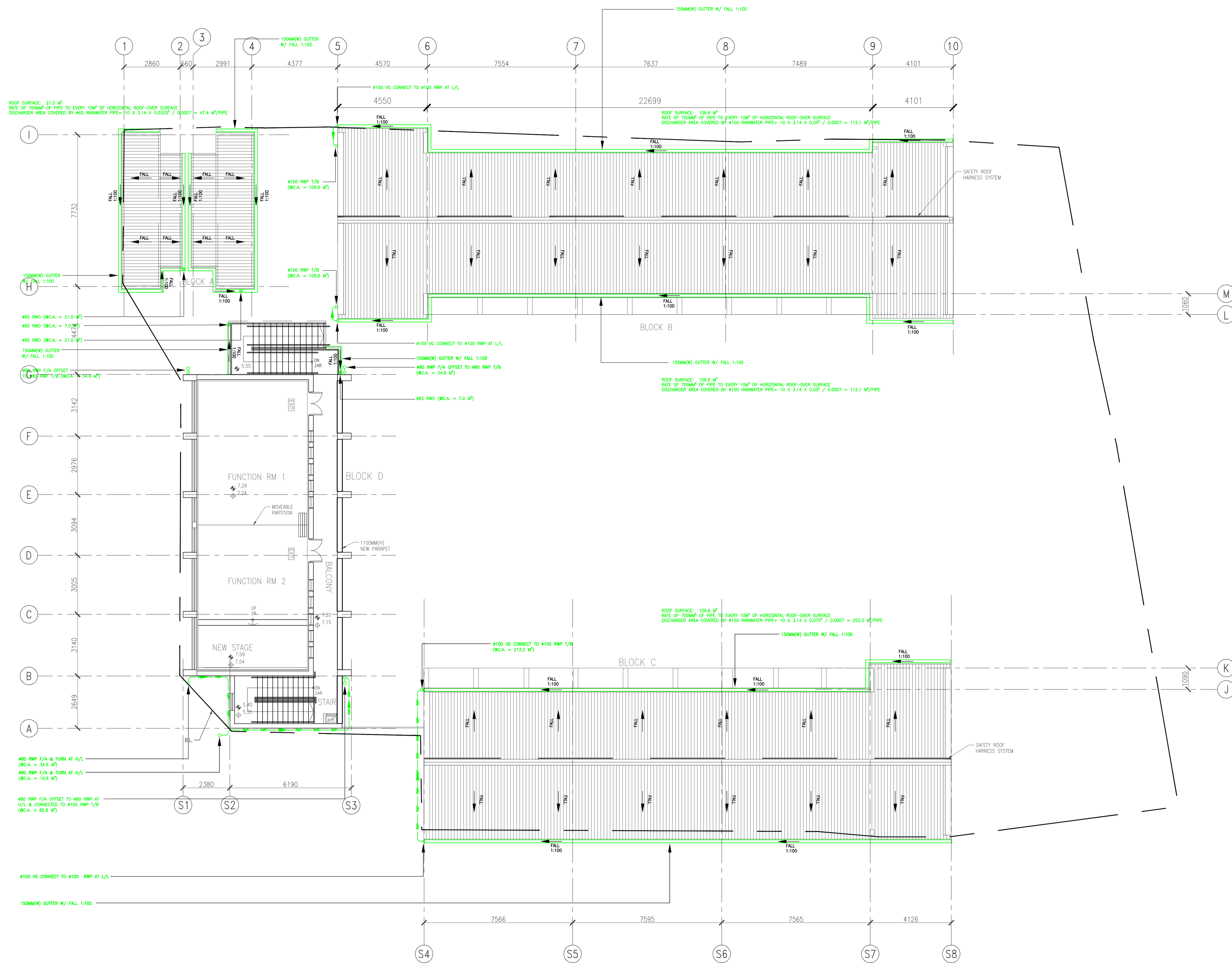
DRAWING TITLE:
 DRAINAGE LAYOUT PLAN
 FOR G/F

CONTRACT REFERENCE:
 C20006

SCALE: 1:100 @A1
 DATE: DEC 2021

DESIGN: CT
 APPROVED: KKL

DRAWING NUMBER:
 C20006-D-201



FIRST FLOOR & ROOF FLOOR LAYOUT PLAN

REV.	DESCRIPTION	DATE

REV.	DESCRIPTION	DATE

CLIENT:

 果園社企
 Fruit Garden Social Enterprise Limited

ARCHITECT:

 A.LEAD architects ltd.
 領建建築師事務所有限公司

E&M CONSULTANT:

 PineBridge
 Consulting Limited

PROJECT TITLE:
 PROPOSED FIELD STUDY CENTRE
 AND ORGANIC FARM IN D.D 104
 HA CHUK YUEN TSUEN, SAN TIN,
 YUEN LONG

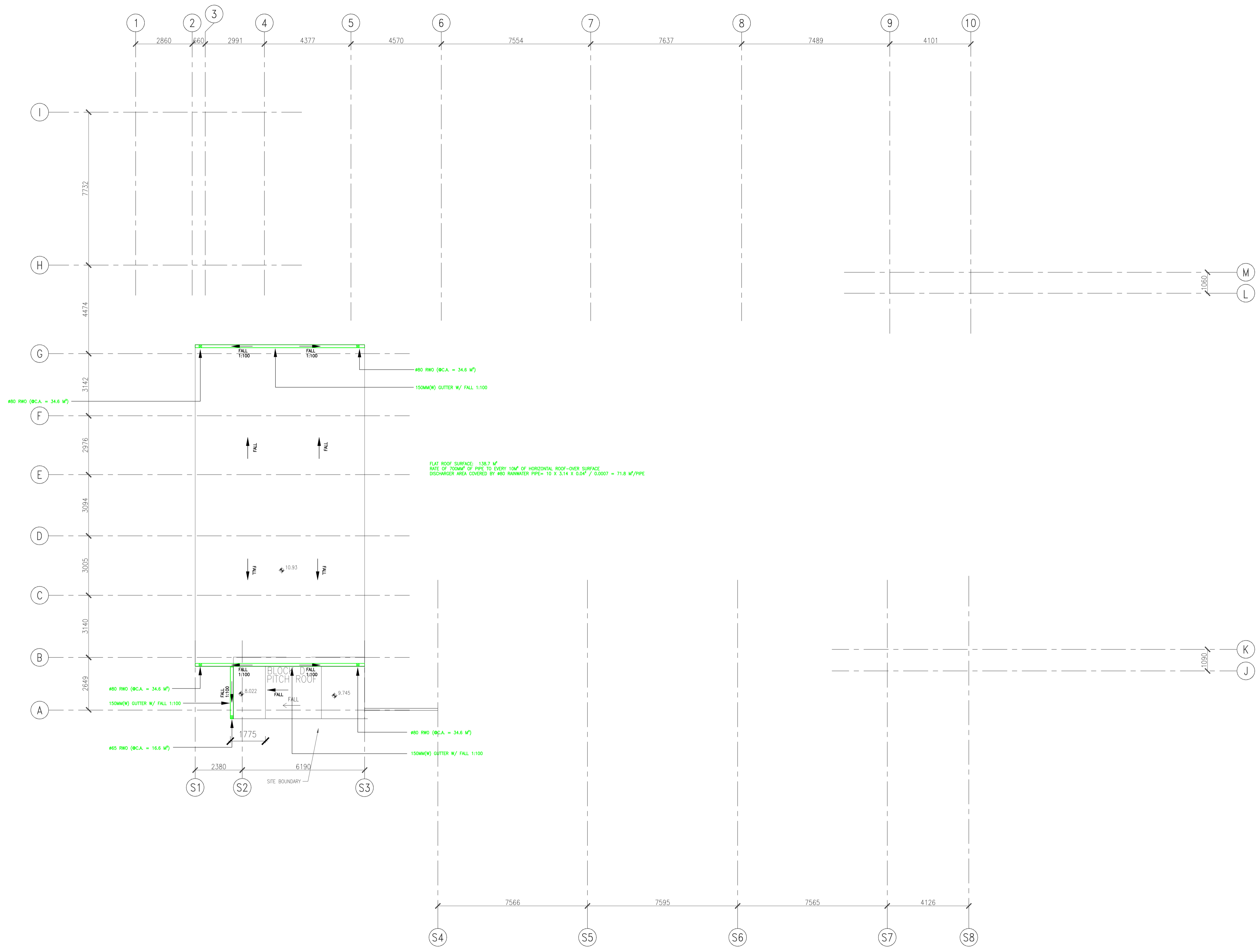
DRAWING TITLE:
 DRAINAGE LAYOUT PLAN
 FOR 1/F

CONTRACT REFERENCE:
 C20006

SCALE: 1:100 @A1	DATE: DEC 2021
---------------------	-------------------

DESIGN: CT	APPROVED: KKL
---------------	------------------

DRAWING NUMBER:
 C20006-D-202



UPPER ROOF LAYOUT PLAN

REV.	DESCRIPTION	DATE

CLIENT:



ARCHITECT:



E&M CONSULTANT:



PROJECT TITLE:

PROPOSED FIELD STUDY CENTRE AND ORGANIC FARM IN D.D 104 HA CHUK YUEN TSUEN, SAN TIN, YUEN LONG

DRAWING TITLE:

DRAINAGE LAYOUT PLAN FOR R/F

CONTRACT REFERENCE:

C20006

SCALE:	DATE:
1:100 @A1	DEC 2021

DESIGN:	APPROVED:
CT	KKL

DRAWING NUMBER:

C20006-D-203