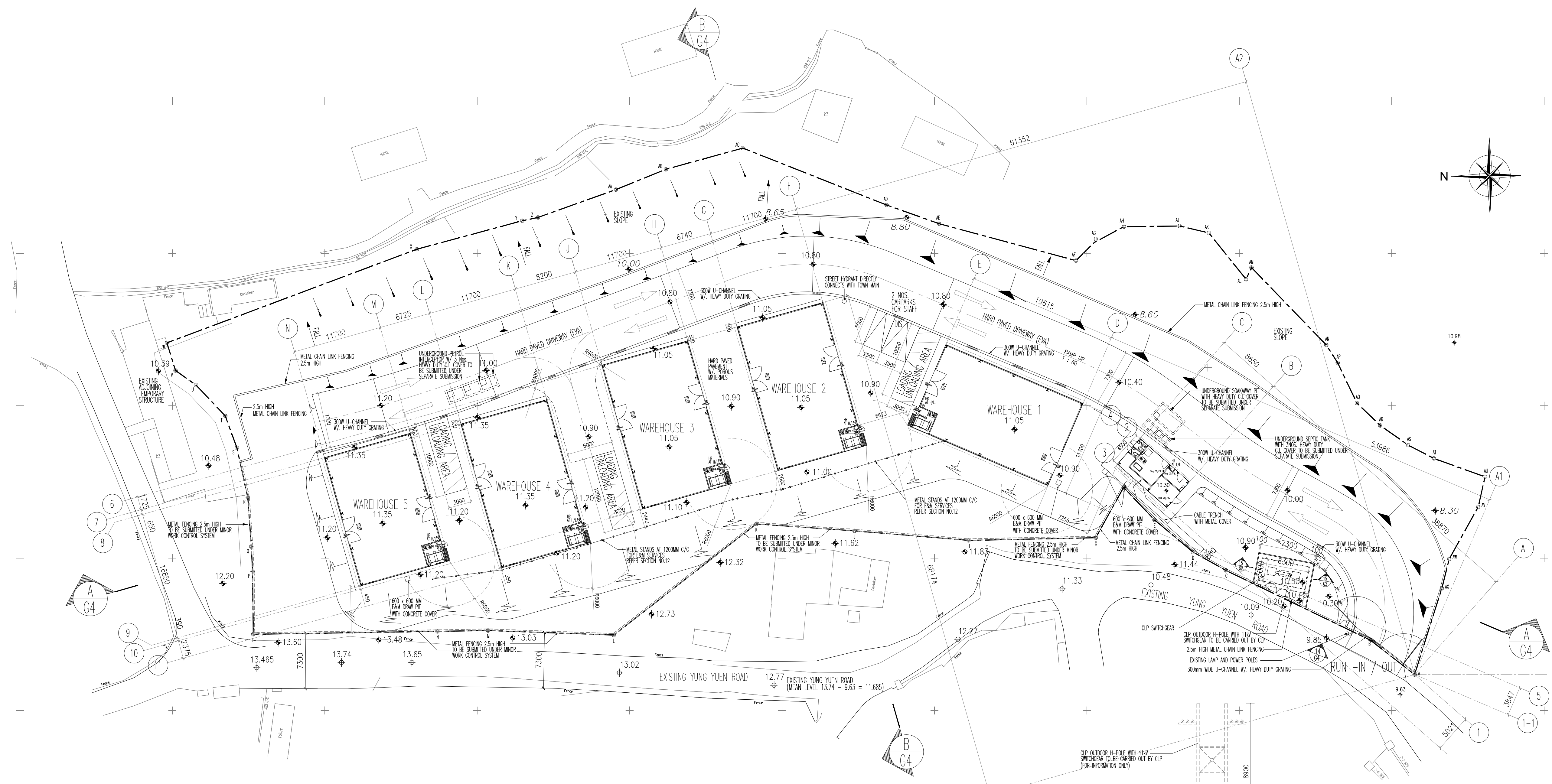
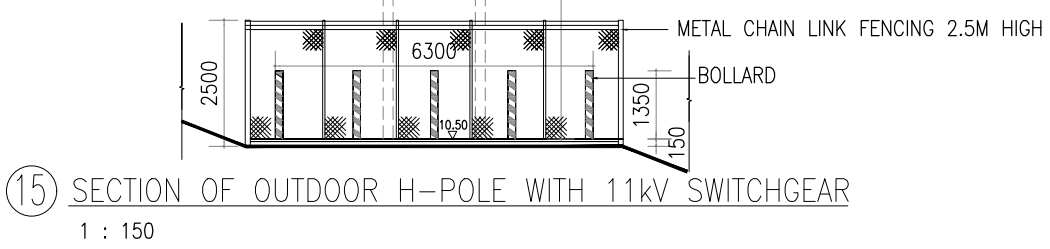


This drawing and design are copyright of the authorized person. No portion may be reproduced without his written permission. Use written dimensions. Measurements to existing works to be verified on site. This drawing shall be read in conjunction with specification and condition of contract.

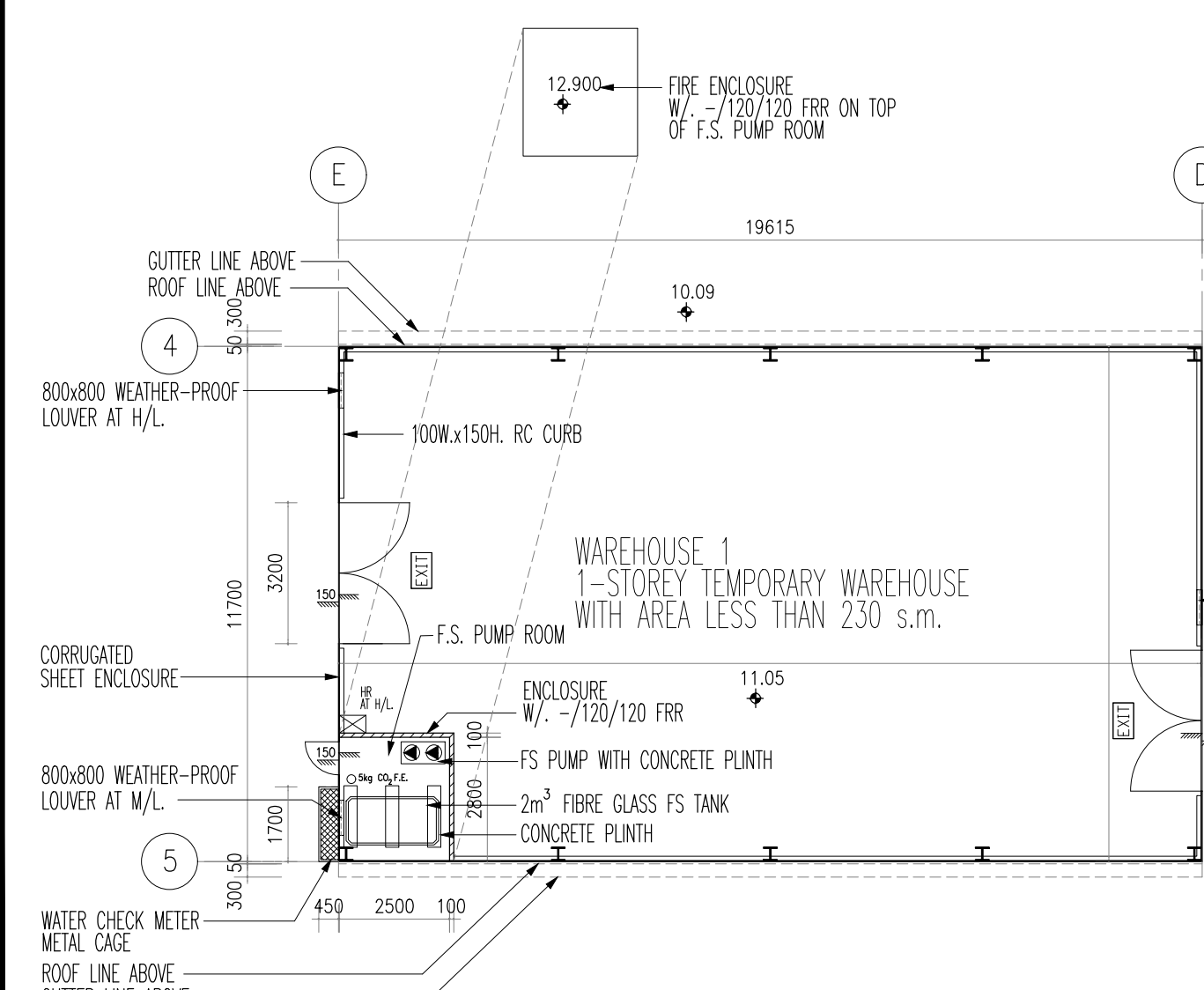
NOTES:



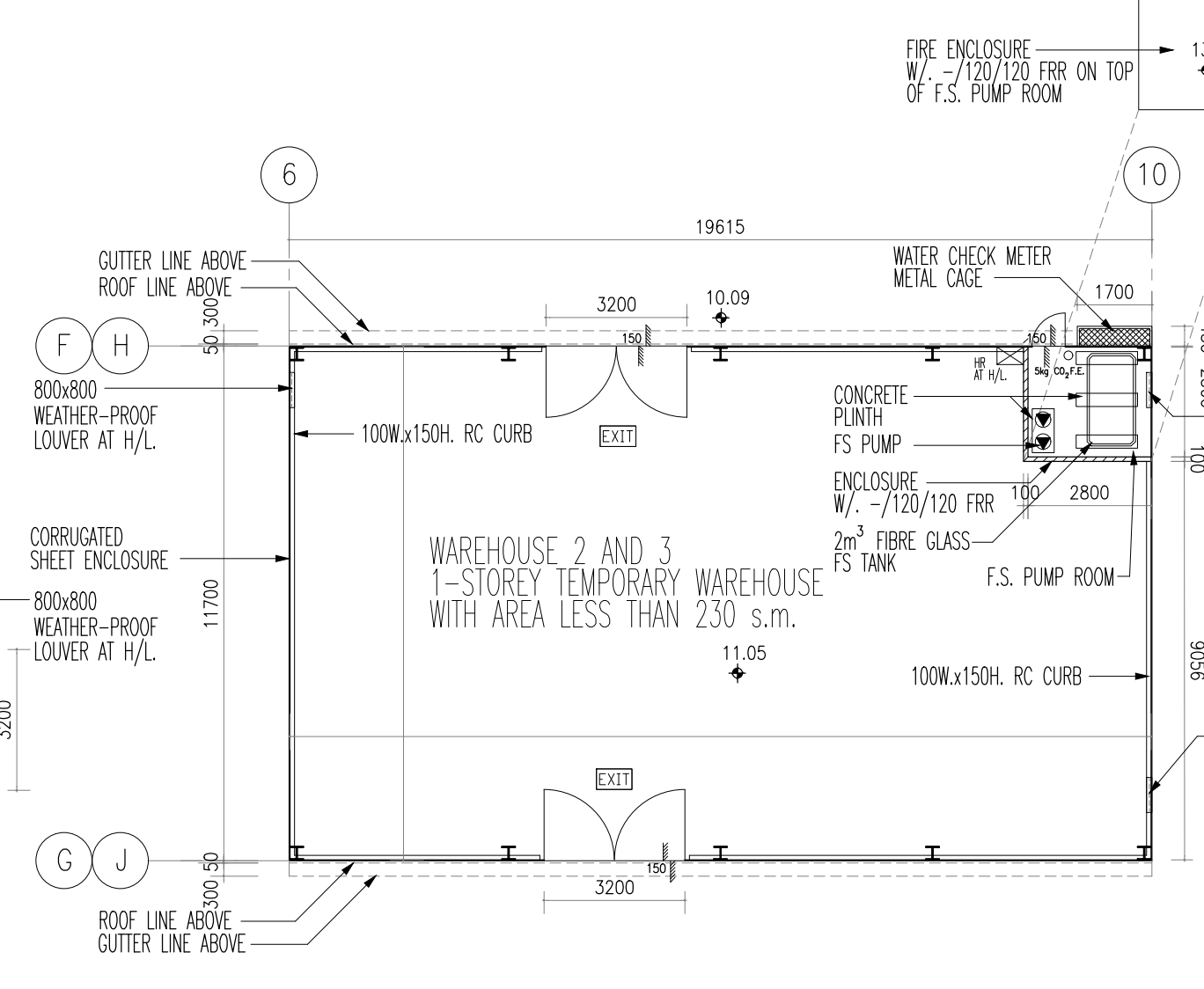
GROUND FLOOR PLAN 1 : 300



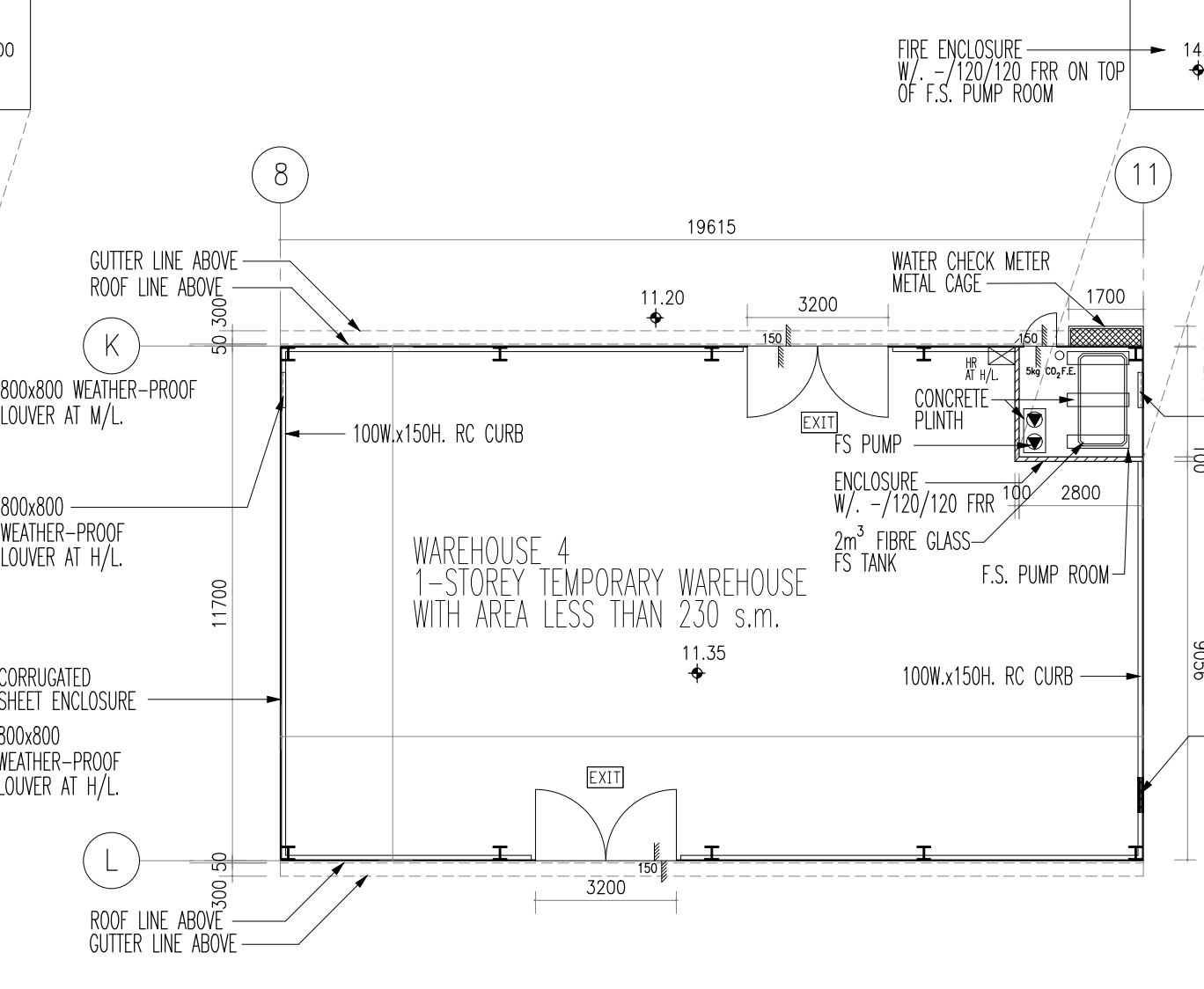
SECTION OF OUTDOOR H-POLE WITH 11kV SWITCHGEAR 1 : 150



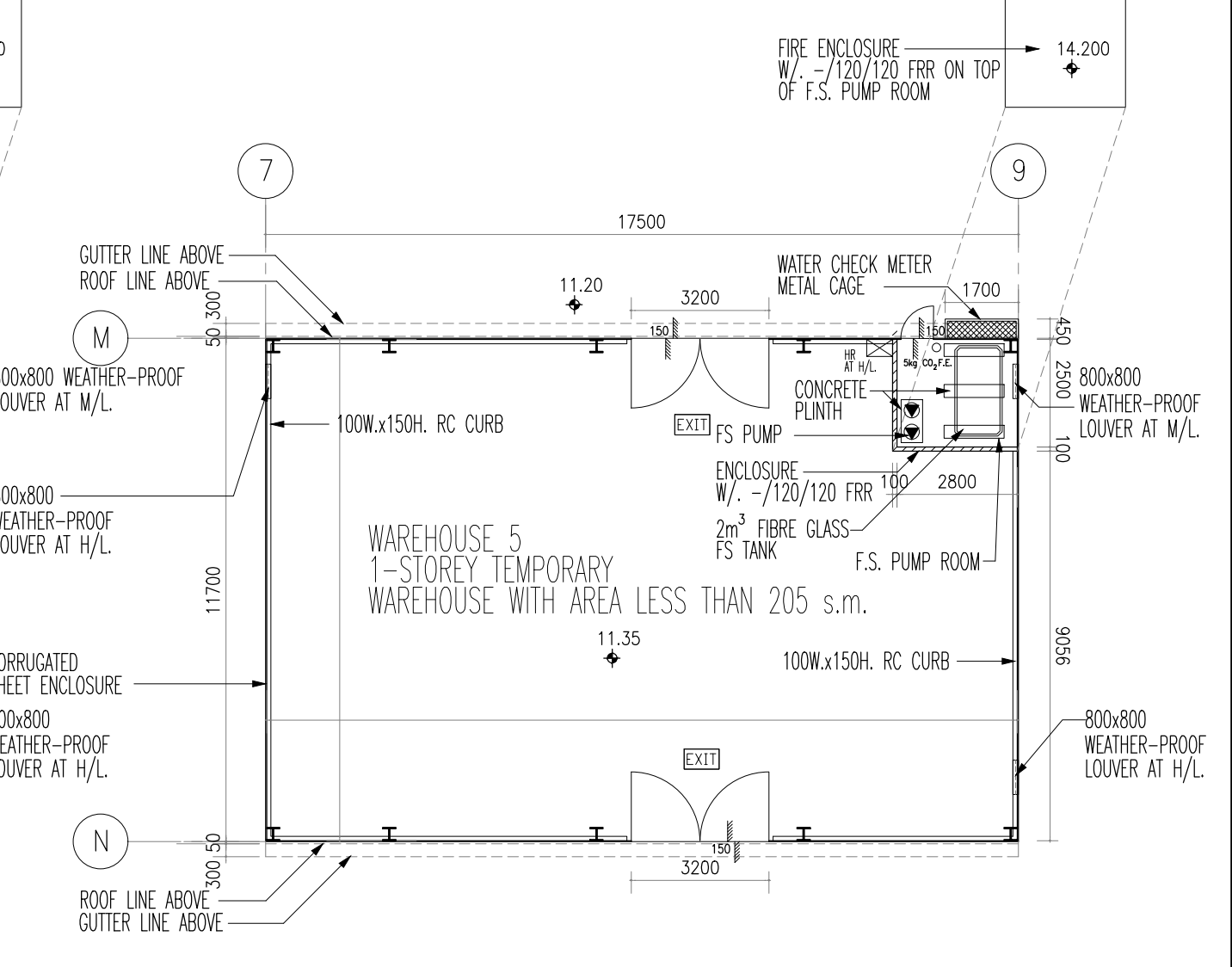
FLOOR PLAN OF WAREHOUSE 1 1 : 150



FLOOR PLAN OF WAREHOUSE 2 AND 3 1 : 150



FLOOR PLAN OF WAREHOUSE 4 1 : 150



FLOOR PLAN OF WAREHOUSE 5 1 : 150

REV.	DATE	DESCRIPTION
B	11/2024	TITLE UPDATE

freevision 富匯
 Unit B, 9/F, Tower B, Billion Centre, 1 Wang Kwong Road, Kowloon, H.K.
 Tel: (852)9178 5500 Fax: (852)3619 2788 Email: freevision@freevision.com.hk

PROJECT:
RENEWAL OF PLANNING PERMISSION FOR TEMPORARY WAREHOUSE AT VARIOUS LOTS IN D.D. 122, PING SHAN, YUEN LONG, HK

DRAWING TITLE:
MASTER LAYOUT PLAN & FLOOR PLANS

JOB NO.	DATE	SCALE	DRG. NO.	DRAWN	CHECKED	APPROVED	REV.
-	NOVEMBER 2021	AS SHOWN	P1	IK	-	-	B