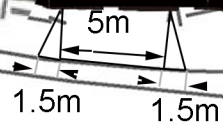
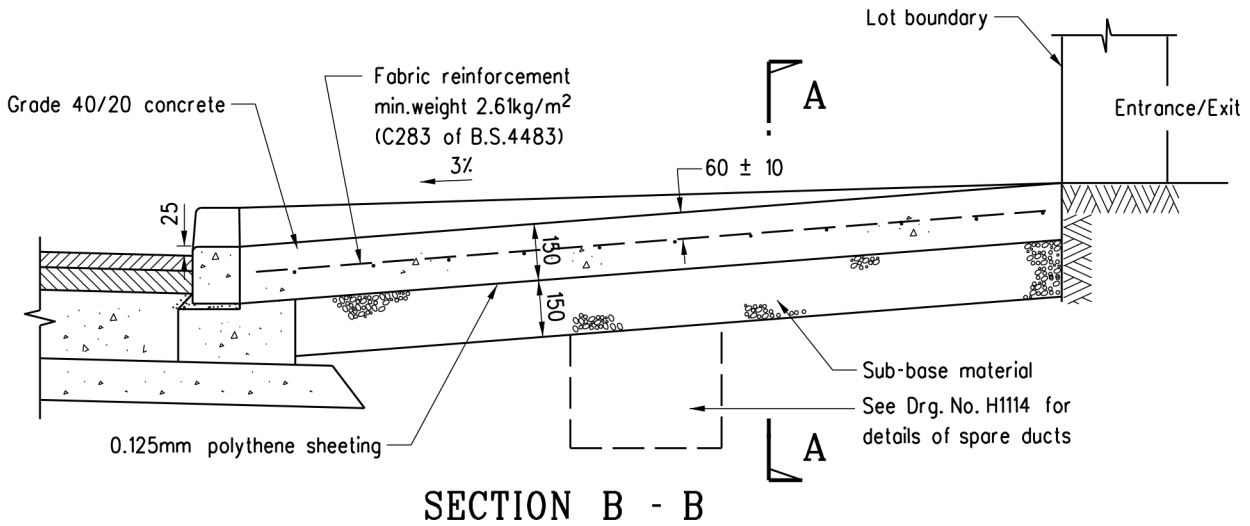
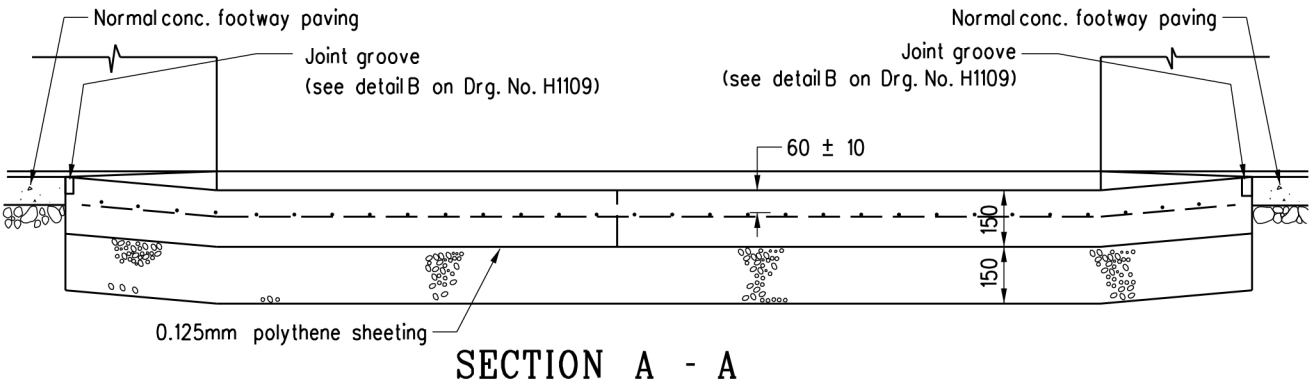
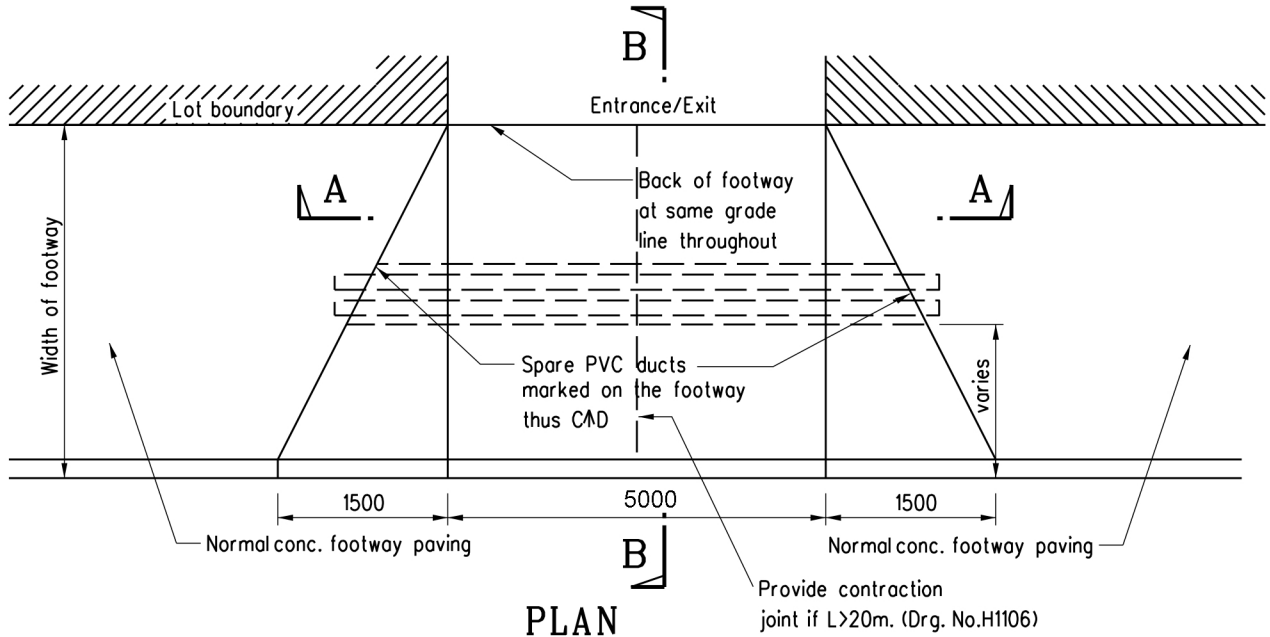


8m wide
Ingress/
Egress



柏麗居
Parlain Villa
*1287 RP

<p>Project 項目名稱: Proposed Temporary Shop & Services (Motor-vehicle Showroom) for a Period of 5 Years and Filling and Excavation of Land at Lots 1285 RP, 1286 RP & 1290 (Part) in D.D. 114, Shek Kong, Yuen Long, N.T.</p>	<p>Drawing Title 圖目: Run-in/out Proposal</p>	<p>Remarks 備註:</p>
	<p>Drawing No. 圖號: Figure 8</p>	<p>Scale 比例: 1:500</p>



Note:

1. All dimensions are in millimetres.

REF.	REVISION	SIGNATURE	DATE
C	General revision	Original signed	Oct 19
B	Joint groove details revised	-	Nov 96
A	Grade of concrete revised	-	Sept 96
	Former Drg. No. H1011A with general revision	-	June 94

**TYPICAL DETAILS
OF RUN-IN
(SHEET 1 OF 2)**

HIGHWAYS DEPARTMENT

REFERENCE

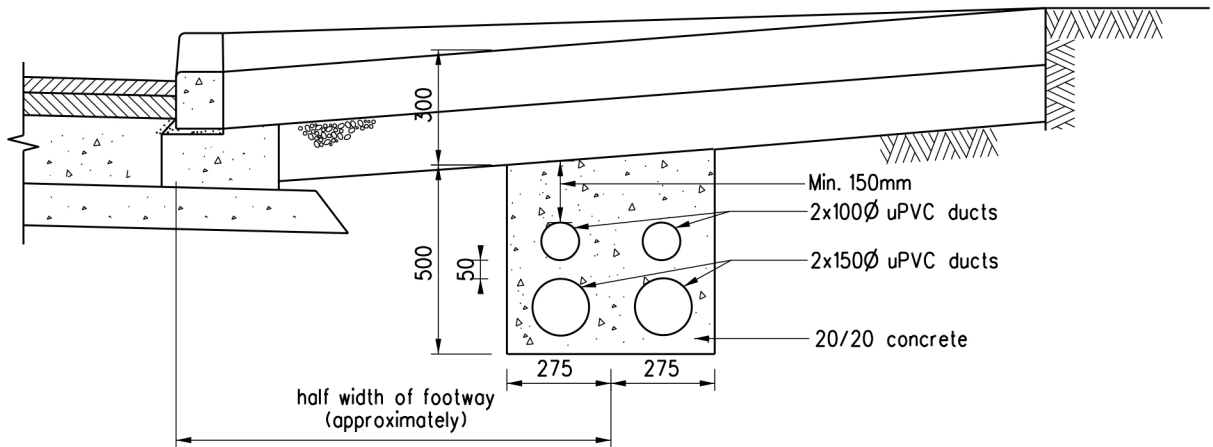
DRAWING No.

CAD

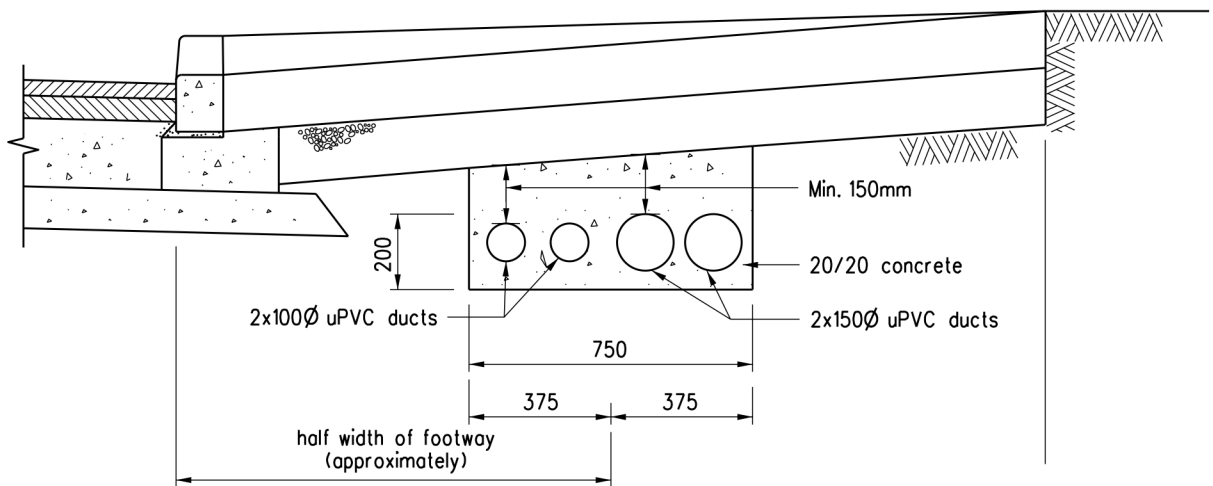
SCALE

1:20

H 1113C



OPTION A



OPTION B

Notes:

1. 100 diameter ducts are provided for cables of ATC or CCTV.
150 diameter ducts are provided for power cables.
2. The choice of option depends on the site situations (e.g. width of footway, existing underground utilities).
3. Position of both ends of the duct bank to be marked on footway thus CAD.

B	General revision	Original signed	Oct 19
A	Concrete cover revised		Sep 96
	Former Drg. No. H1011A with general revision		Jun 94
REF.	REVISION	SIGNATURE	DATE

TYPICAL DETAILS
OF RUN-IN
(SHEET 2 OF 2)

HIGHWAYS DEPARTMENT

REFERENCE

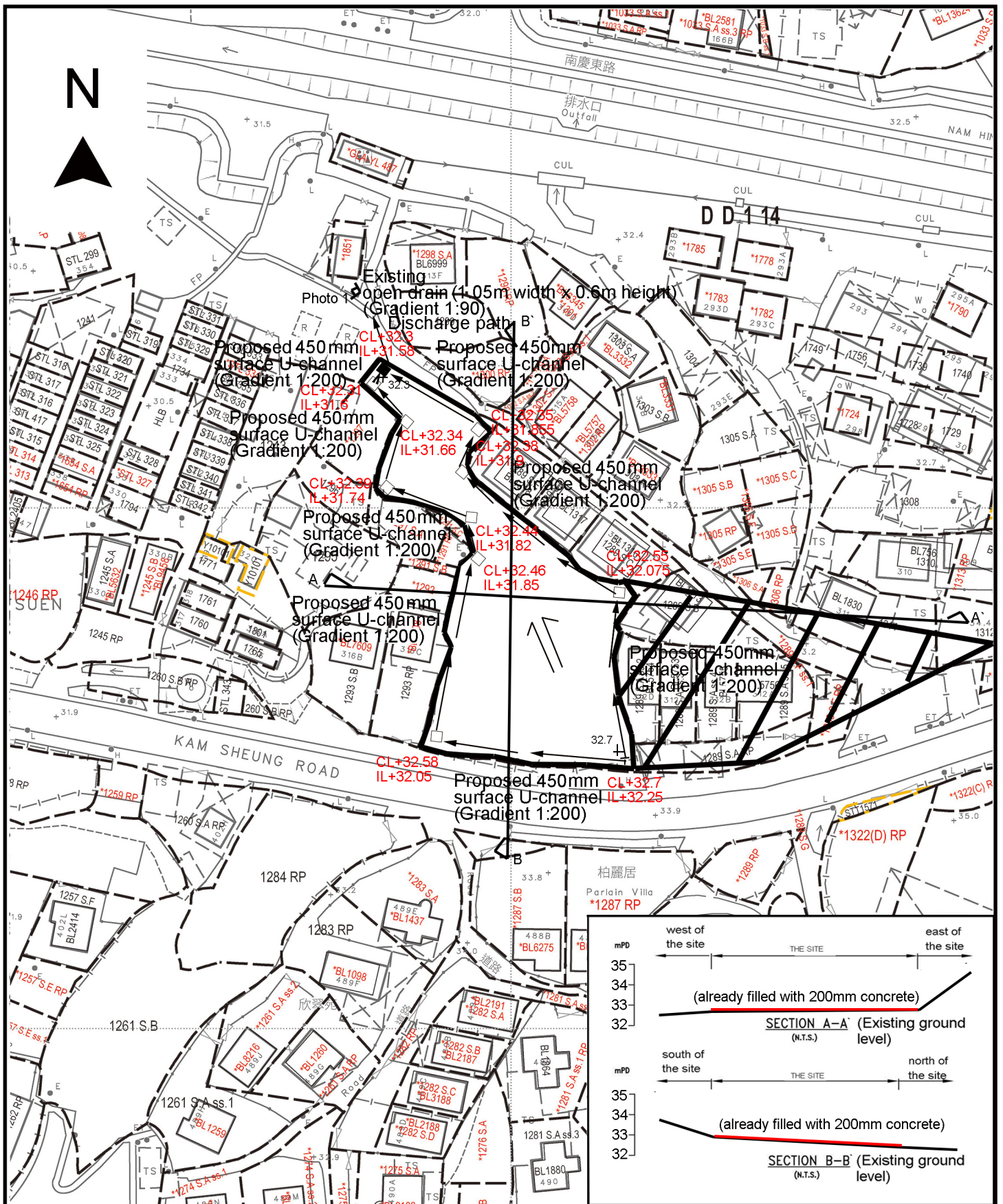
DRAWING No.

CAD

SCALE

1:20

H 1114B



Project 項目名稱:
Proposed Temporary Shop & Services (Motor-vehicle Showroom) for a Period of 5 Years and Filling and Excavation of Land at Lots 1285 RP, 1286 RP & 1290 (Part) in D.D. 114, Shek Kong, Yuen Long, N.T.

Drawing Title 圖目:
Proposed Drainage Plan

Drawing No. 圖號:
Figure 3

Remarks 備註:
 +32.3 Level (in mPD)
 ◀ Photo viewpoint
 □ Proposed catchpit
 ■ Catchpit with sand trap
 ⇐ Flow of surface runoff
 ▨ External catchment

Scale 比例:
1:1000